

Stant 10819D

Stant 10819D Diesel Only Pre-Release Fuel Cap User Manual

MODEL: 10819D | BRAND: STANT

INTRODUCTION

This manual provides essential information for the proper installation, operation, and maintenance of your Stant Diesel Only Pre-Release Fuel Cap. This product is designed as a replacement for original equipment fuel caps, ensuring compatibility and safety features.

Key Features

- Replacement OE fuel cap designed to replace lost or worn fuel caps.
- Constructed from durable materials for extended product life.
- Incorporates all safety features found on original equipment caps.
- Designed with customer safety as a primary consideration.

SETUP AND INSTALLATION

Proper installation ensures the fuel cap functions correctly and maintains a secure seal. Follow these steps for installation:

1. Ensure the vehicle's fuel tank opening is clean and free from debris.
2. Align the fuel cap threads with the fuel tank filler neck threads.
3. Turn the cap clockwise until it clicks. The clicking sound indicates that the cap is securely tightened and the seal is engaged.
4. Verify that the cap is firmly seated and cannot be easily removed without turning.



Figure 1: Stant Diesel Only Pre-Release Fuel Cap. This image shows the cap's green top, indicating its use for diesel fuel, and its overall design.

OPERATION

The Stant Diesel Only Pre-Release Fuel Cap operates similarly to standard fuel caps, with an emphasis on a secure seal.

- **To Open:** Turn the fuel cap counter-clockwise until it loosens and can be removed from the filler neck.
- **To Close:** Place the cap onto the filler neck, align the threads, and turn clockwise until you hear a distinct click. This click confirms the cap is properly sealed and secured.

MAINTENANCE

Regular inspection and minor maintenance can extend the life of your fuel cap and ensure its proper function.

- **Inspection:** Periodically check the rubber seal (gasket) on the underside of the cap for cracks, tears, or signs of wear. A damaged seal can lead to fuel vapor leaks.
- **Cleaning:** Clean the cap and the filler neck opening with a damp cloth to remove dirt, dust, or fuel residue. Avoid using harsh chemicals that could damage the plastic or rubber components.
- **Replacement:** If the cap shows significant wear, damage, or fails to seal properly, replace it immediately to prevent fuel loss and maintain vehicle emissions compliance.

TROUBLESHOOTING

If you encounter issues with your fuel cap, consider the following common problems and solutions:

- **Cap does not click when tightened:** Ensure the cap is aligned correctly with the filler neck threads. Check for any obstructions or damage to the threads on both the cap and the filler neck.
- **Fuel odor or check engine light:** This may indicate a loose or faulty fuel cap seal. Re-tighten the cap until it clicks. If the issue persists, inspect the rubber seal for damage and replace the cap if necessary.
- **Difficulty removing or installing the cap:** Check for cross-threading or debris in the threads. Clean the threads and apply a small amount of silicone grease if needed, ensuring it does not contaminate the fuel.

SPECIFICATIONS

Attribute	Detail
Brand	Stant
Model Number	10819D
Color	Green
Exterior Finish	Machined
Item Weight	0.01 Ounces
Product Dimensions (L x W x H)	3.7 x 3.1 x 3.6 inches
Vehicle Service Type	Car, Truck
OEM Part Number	10819D
UPC	033342118843

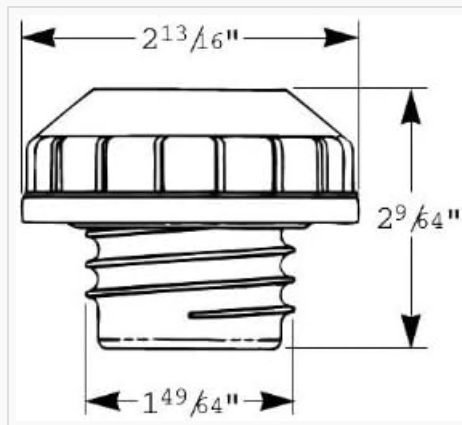


Figure 2: Technical drawing illustrating the dimensions of the Stant Diesel Only Pre-Release Fuel Cap, including width and height measurements.

WARRANTY INFORMATION

Stant products are manufactured to high standards. For specific warranty details, including coverage period and terms, please refer to the documentation included with your purchase or visit the official Stant website. Keep your proof of purchase for any warranty claims.

CUSTOMER SUPPORT

If you have questions, require assistance, or need to report an issue with your Stant Diesel Only Pre-Release Fuel Cap, please contact Stant customer support through their official website or the contact information provided with your product packaging. When contacting support, please have your product model number (10819D) and purchase details readily available.