

[Manuals.plus](#) /

> [Franke](#) /

> Franke FFPS200 Mambo Single Handle Pull-Out Kitchen Faucet Instruction Manual

Franke FFPS200

Franke FFPS200 Mambo Single Handle Pull-Out Kitchen Faucet Instruction Manual

Model: FFPS200

1. INTRODUCTION

Thank you for choosing the Franke FFPS200 Mambo Single Handle Pull-Out Kitchen Faucet. This manual provides detailed instructions for the safe installation, operation, and maintenance of your new faucet. Please read this manual thoroughly before installation and retain it for future reference.



Image: The Franke FFPS200 Mambo faucet in a kitchen setting.

2. SAFETY INFORMATION

Always observe the following safety precautions during installation and use:

- Turn off the main water supply before beginning any installation or maintenance.
- Wear appropriate personal protective equipment, such as safety glasses and gloves.
- Ensure all connections are secure to prevent leaks.
- If you are unsure about any part of the installation, consult a qualified plumber.
- Do not use harsh chemicals or abrasive cleaners on the faucet finish.

3. PACKAGE CONTENTS

Verify that all components are present before installation:

- Franke FFPS200 Mambo Faucet Body
- Pull-Out Spray Head
- Mounting Hardware (nut, washer, gasket)
- Hot and Cold Water Supply Lines (20" stainless flex with 0.75 comp-fittings)
- Weight for Pull-Out Hose
- Installation Guide (this manual)

4. SETUP AND INSTALLATION

Follow these steps for proper installation of your Franke FFPS200 faucet:

1. **Prepare the Sink:** Ensure the sink has a 1-3/8-inch diameter hole for faucet mounting. Clean the area around the faucet hole.
2. **Mount the Faucet:** Insert the faucet body through the hole in the sink or countertop. From underneath, secure the faucet using the provided mounting nut and washer. The 1.5-inch long base mounting nut facilitates easy under-counter installation. Tighten securely but do not overtighten.
3. **Connect Water Supply Lines:** Attach the hot and cold water supply lines to the corresponding water supply valves. The 20-inch stainless flex supply lines with 0.75 comp-fittings allow direct connection to most common supply valves. Ensure a watertight seal.
4. **Install Pull-Out Hose and Weight:** Connect the pull-out hose to the faucet's main body connection point. Attach the hose weight to the pull-out hose at the designated location, typically below the sink, to ensure smooth retraction of the spray head.
5. **Test for Leaks:** Once all connections are made, slowly turn on the main water supply. Check all connections for any signs of leaks. Operate the faucet to ensure proper water flow and temperature control.

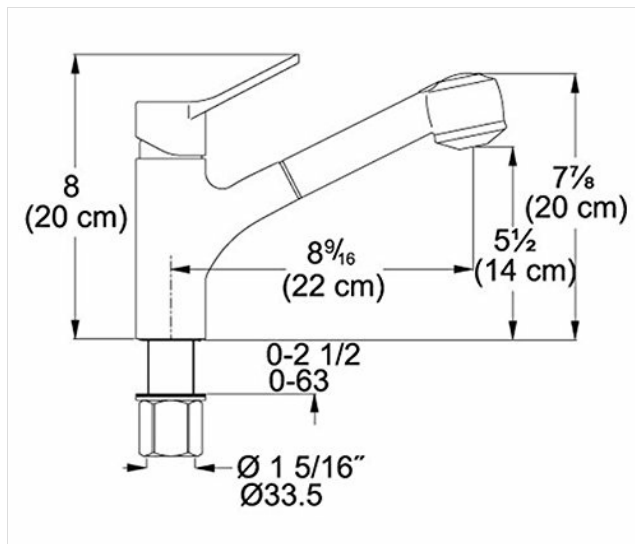


Image: Technical drawing with key dimensions for installation.

5. OPERATING INSTRUCTIONS

The Franke FFPS200 Mambo faucet features a single handle for easy control and a convenient pull-out spray head.

- **Water Flow and Temperature:** The extra-large single handle controls both water flow and temperature. Lift the handle to increase flow. Move the handle left for hot water and right for cold water.
- **Pull-Out Spray Head:** Grasp the spray head and pull it out from the spout. The flexible hose allows for extended reach. Press the button on the spray head to switch between spray patterns (if applicable). After use, guide the spray head back into the spout; the hose weight will assist in smooth retraction.
- **Spout Swivel:** The faucet spout has a 150-degree swivel range, allowing you to direct water flow across a wide area of your sink.

6. MAINTENANCE AND CLEANING

Proper care will ensure the longevity and appearance of your Franke faucet.

- **Cleaning the Finish:** Clean the chrome finish regularly with a soft, damp cloth and mild soap. Rinse thoroughly and dry with a soft cloth to prevent water spots. Avoid abrasive cleaners, harsh chemicals, or scouring pads, as these can damage the finish.
- **Ceramic Cartridge:** The faucet is equipped with a durable ceramic cartridge designed for leak-free operation and easy servicing. If you experience persistent drips or leaks, the cartridge may need inspection or replacement. Consult a professional if necessary.
- **Aerator Maintenance:** Periodically unscrew the aerator from the spray head and clean any mineral deposits or debris. This helps maintain optimal water flow.

7. TROUBLESHOOTING

Refer to the following table for common issues and their solutions:

Problem	Possible Cause	Solution
Low Water Flow	Clogged aerator; partially closed supply valve	Clean aerator; fully open supply valves

Problem	Possible Cause	Solution
Leaking from Spout	Worn ceramic cartridge	Replace ceramic cartridge (consult professional)
Leaking at Base	Loose mounting nut; damaged gasket	Tighten mounting nut; inspect and replace gasket
Spray Head Does Not Retract	Hose weight dislodged or obstructed	Check and reposition hose weight; clear obstructions

If you encounter issues not listed here or if the suggested solutions do not resolve the problem, please contact Franke customer support.

8. SPECIFICATIONS

- **Brand:** Franke
- **Model Number:** FFPS200
- **Finish Type:** Chrome
- **Material:** Metal
- **Number of Handles:** 1
- **Hole Count:** 1
- **Maximum Flow Rate:** 2.2 Gallons Per Minute (GPM)
- **Spout Height:** 5.5 Inches
- **Spout Reach:** 8.5625 Inches (from product description, specification says 5.5 inches, using description's more specific value)
- **Handle Location:** Top
- **Installation Hole Requirement:** 1-3/8 inches
- **Cartridge Type:** Ceramic

9. WARRANTY AND SUPPORT

Franke products are manufactured to high-quality standards and come with a manufacturer's warranty. For specific warranty details, including coverage and duration, please refer to the warranty card included with your purchase or visit the official Franke website. For technical assistance, replacement parts, or customer support, please contact Franke customer service directly.