

Manuals.plus /

- › On-Q /
- › Legrand On-Q Surge-Protected Duplex Power Kit (Model 36456902V1) - Instruction Manual

On-Q 36456902V1

Legrand On-Q Surge-Protected Duplex Power Kit (Model 36456902V1)

Instruction Manual

Contents	Features	Installation	Operation	Overview	Safety	Kit	Troubleshooting	Specifications	Warranty
				Maintenance	& Support				

1. OVERVIEW

The Legrand On-Q Surge-Protected Duplex Power Kit (Model 36456902V1) provides a convenient and secure solution for delivering power and surge protection to equipment within structured wiring enclosures, wall installations, and other compatible setups. This kit is designed to safeguard sensitive electronics from voltage spikes while offering a tamper-resistant outlet for enhanced safety.



2. SAFETY INFORMATION

Please read and understand all instructions before installation and use. Failure to follow these instructions may result in electric shock, fire, or serious injury.

- **WARNING:** Risk of electric shock. Disconnect power at the circuit breaker or fuse box before installing or servicing.
- Installation must be performed by a qualified electrician in accordance with all national and local electrical codes.
- Do not install in wet locations or where excessive moisture may be present.
- Ensure all wiring connections are secure and properly insulated.
- This device is intended for indoor use only.
- Do not exceed the electrical ratings of the device (15 Amps, 125 Volts).

3. KIT CONTENTS

Verify that all components are present before beginning installation:

- Surge-Protected Duplex Outlet
- Old-Work Electrical Box
- Wall Plate
- Mounting Screws

KIT CONTENTS



Surge-Protected Outlet



Old-Work Electrical Box



Wall Plate

Image 3.1: This image shows the components included in the kit: a surge-protected outlet, an old-work electrical box, and a wall plate.

4. FEATURES

- **Built-In Surge Protection:** Safeguards connected devices with integrated surge protection, ideal for powering and protecting equipment in structured wiring enclosures. Provides 340 Joules of surge protection and 24kA Max Surge Capability.

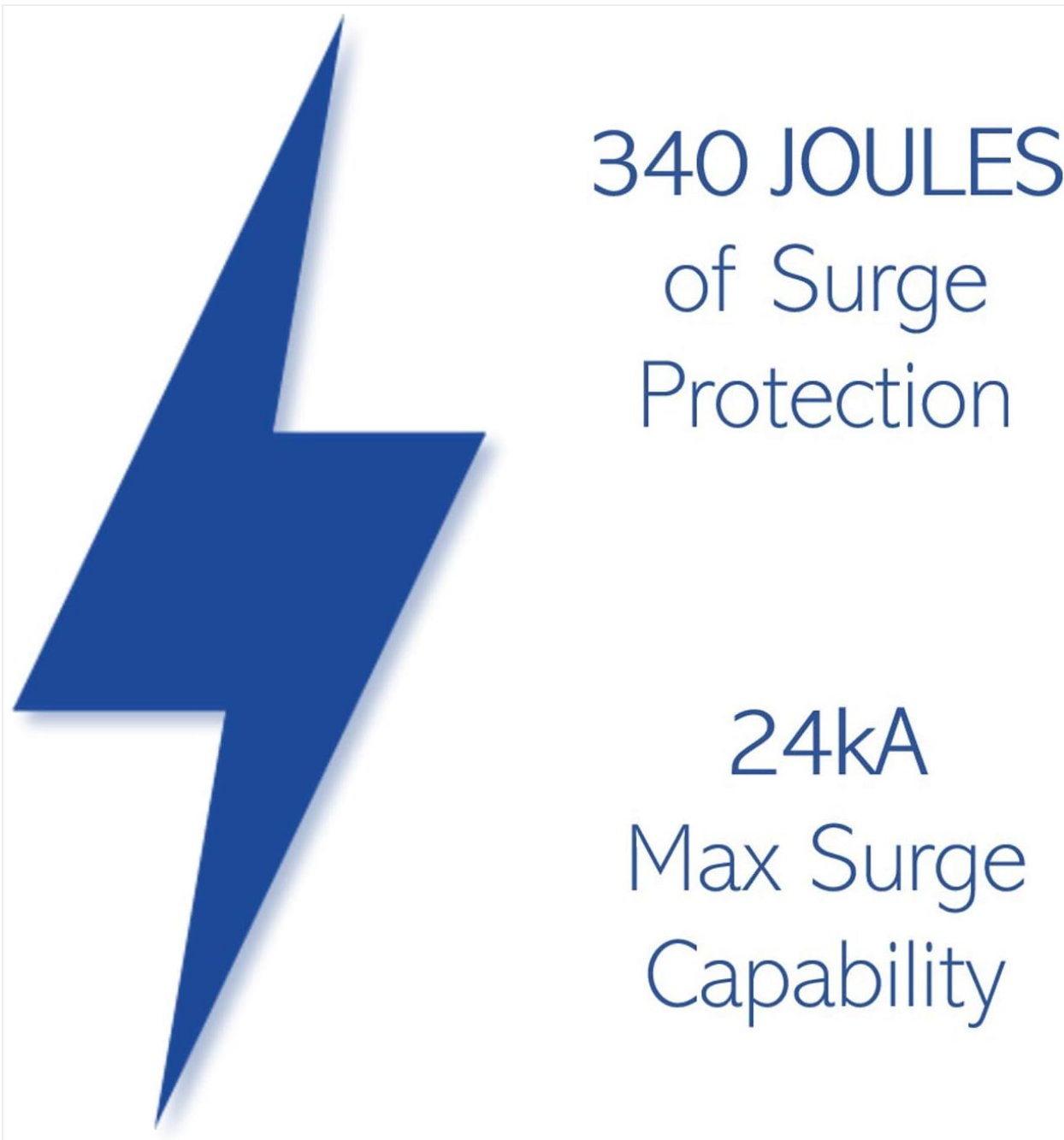


Image 4.1: This image illustrates the surge protection capabilities, including 340 Joules of surge protection and 24kA Max Surge Capability.

- **Audible Alarm with ON/OFF:** An integrated audible alarm alerts users to surge protection status. A switch allows the alarm to be turned on or off.



Image 4.2: This image highlights the audible alarm feature with an ON/OFF switch on the outlet.

- **Surge Protection LED Indicator:** A visual LED indicator provides immediate status feedback:
 - Steady GREEN = Protected
 - Flashing RED = Not Protected
 - OFF = No Power to Unit

Surge Protection LED Indicator

- Steady **GREEN**
= Protected
- Flashing **RED**
= Not
Protected
- **OFF** = No
Power to Unit



Image 4.3: This image explains the Surge Protection LED Indicator: steady green for protected, flashing red for not protected, and off for no power.

- **Tamper-Resistant Design:** Ensures safety by preventing accidental insertion of foreign objects into the outlet slots.
- **Versatile Installation:** Compatible with On-Q and other enclosures featuring standard outlet knockouts, or can be used as a standard wall outlet.
- **Durable & Reliable:** Constructed with high-quality materials for long-lasting performance.
- **Additional Wiring Flexibility:** Features 2 back wire holes for easier wiring.

SPECIFICATIONS

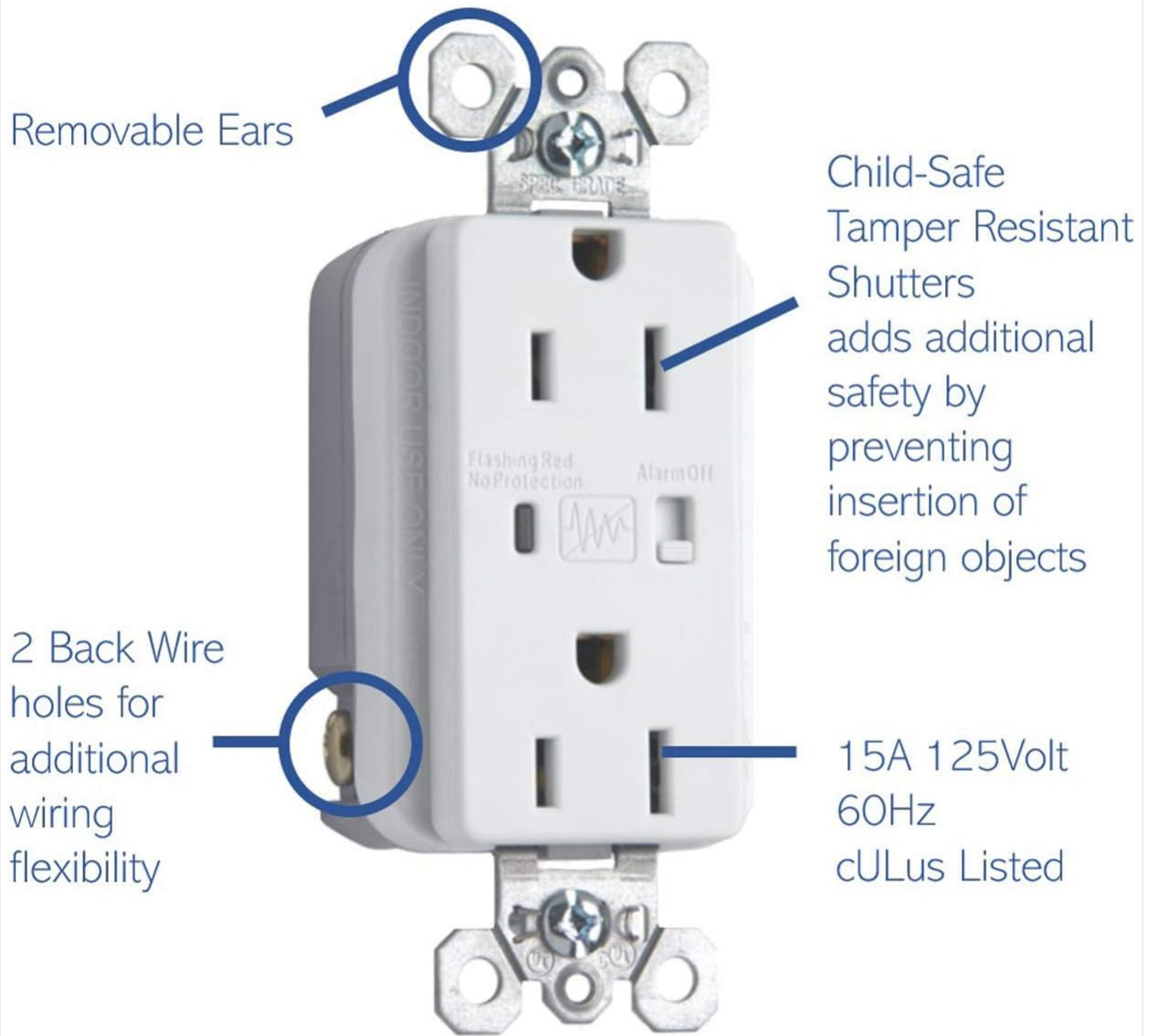


Image 4.4: This image details the outlet's specifications, including removable ears, child-safe tamper-resistant shutters, 2 back wire holes, and 15A 125Volt 60Hz cULus listing.

5. INSTALLATION

Follow these steps for proper installation of the Legrand On-Q Surge-Protected Duplex Power Kit:

5.1. Preparation

1. **Disconnect Power:** Turn off power at the main circuit breaker or fuse box before starting any electrical work. Verify power is off using a voltage tester.
2. **Select Location:** Choose a suitable location within your structured wiring enclosure or wall for the power kit.
3. **Remove Knockouts:** If installing in an enclosure, use a utility knife and hammer to carefully remove the desired electrical knockouts for the power kit.

5.2. Wiring and Mounting

4. **Install Electrical Box:** Insert the provided old-work electrical box into the prepared opening. Use the provided screws to affix the box securely to the enclosure or wall stud.

5. **Route Wiring:** Route the AC cabling (hot, neutral, ground) into the electrical box.
6. **Terminate AC Cabling:** Connect the AC wires to the surge-protected duplex receptacle. Ensure proper polarity (hot to brass screw, neutral to silver screw, ground to green screw). Tighten all terminal screws firmly.
7. **Mount Receptacle:** Carefully push the wired receptacle into the electrical box. Screw the receptacle into the box using the provided mounting screws.
8. **Install Wall Plate:** Attach the wall plate over the receptacle and secure it with the provided screws.

Video 5.1: This video demonstrates the installation process for the On-Q power kit, showing how to remove knockouts, install the electrical box, wire the receptacle, and secure the cover plate.

Compatible with standard knockouts on ALL metal and plastic media enclosures

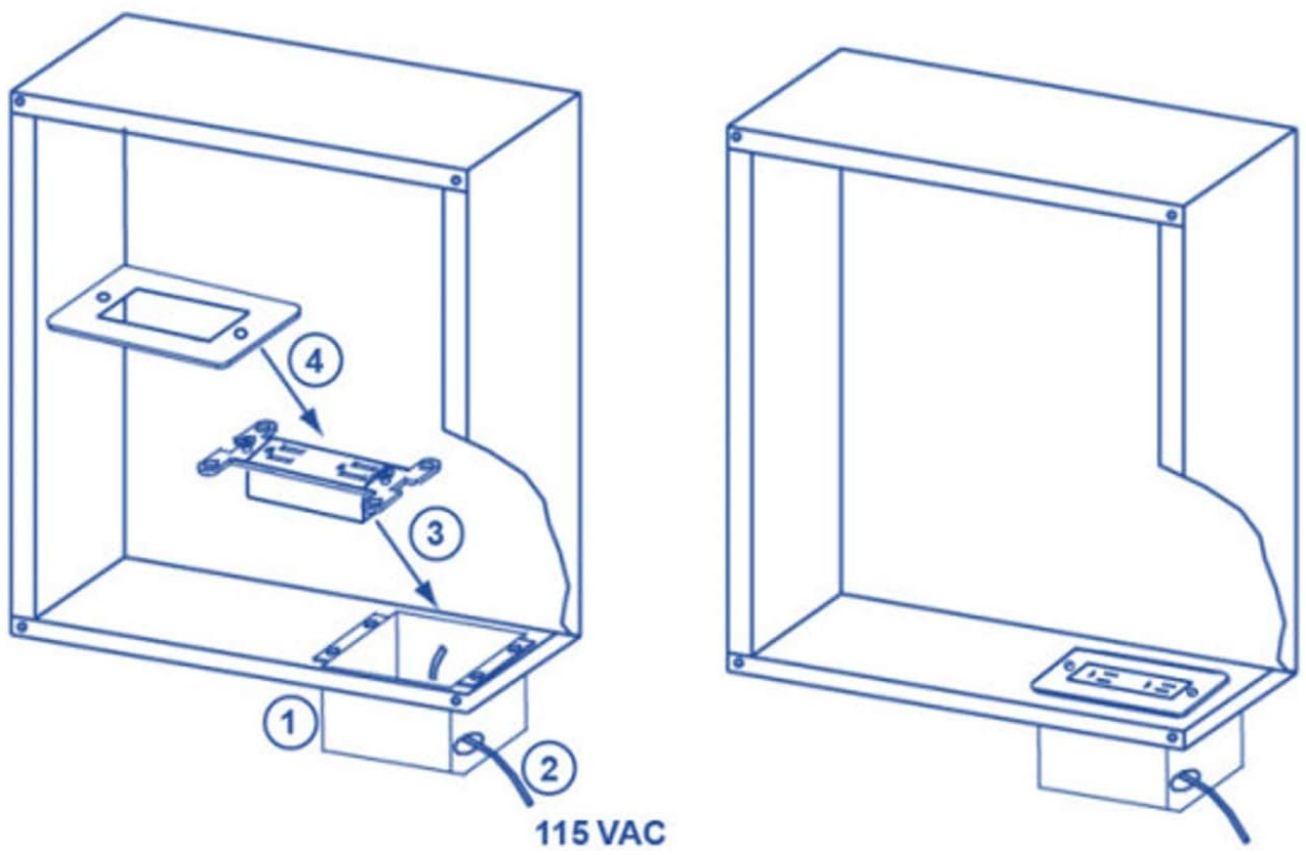
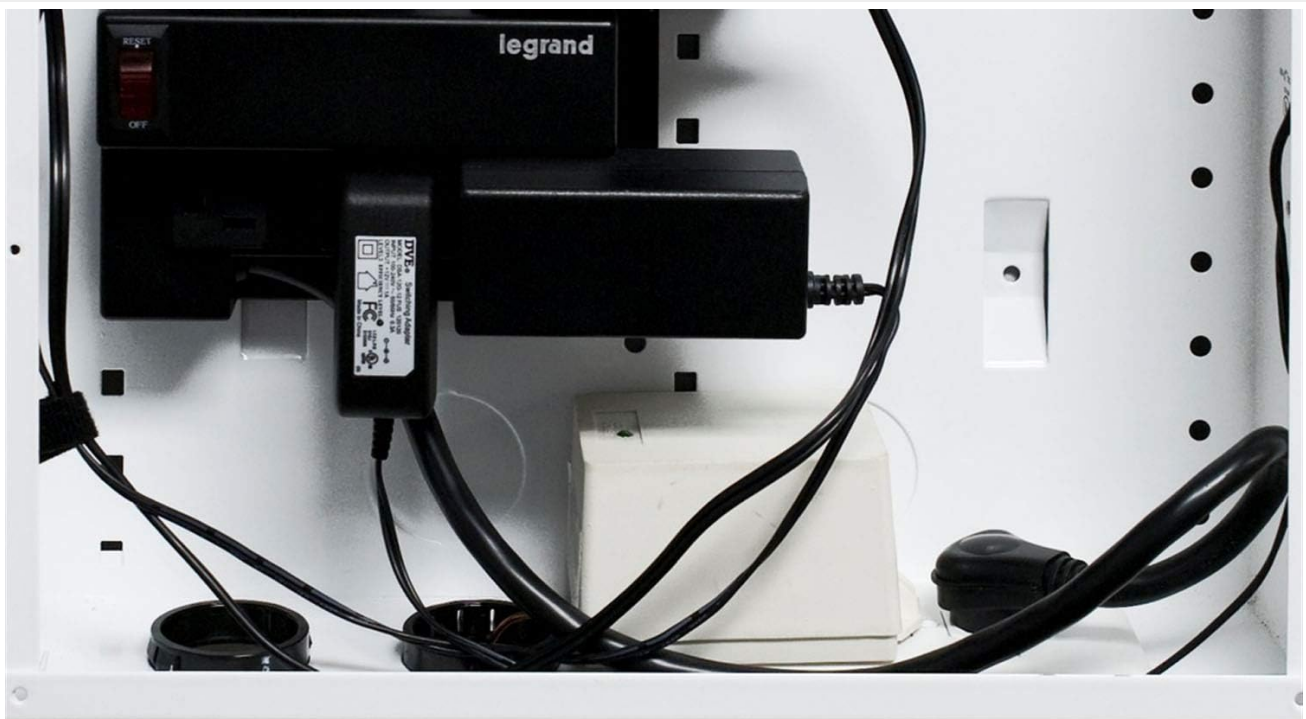


Image 5.2: This image shows a diagram illustrating how the power kit is compatible with standard knockouts on both metal and plastic media enclosures.



Provides Power & Surge Protection to sensitive networking and home system equipment.

Image 5.3: This image shows the installed power kit inside an enclosure, providing power and surge protection to networking equipment.

6. OPERATION

Once installed and power is restored, the Legrand On-Q Surge-Protected Duplex Power Kit operates automatically to provide power and surge protection.

6.1. Surge Protection Indicator

Observe the LED indicator on the outlet for its status:

- **Steady GREEN:** Indicates that the surge protection is active and functioning correctly.
- **Flashing RED:** Indicates that the surge protection has been compromised or is no longer providing protection. The outlet will still provide power, but connected devices are no longer protected from surges. Replacement of the unit is recommended.
- **OFF:** Indicates no power is supplied to the unit. Check the circuit breaker or wiring connections.

6.2. Audible Alarm

The audible alarm will sound if the surge protection is compromised (flashing RED LED). Use the ON/OFF switch

located on the outlet to silence or activate the alarm as needed.

7. MAINTENANCE

The Legrand On-Q Surge-Protected Duplex Power Kit requires minimal maintenance. Regular checks are recommended to ensure continued protection.

- **Visual Inspection:** Periodically inspect the outlet and wiring for any signs of damage, wear, or loose connections.
- **LED Indicator Check:** Regularly check the LED indicator to ensure it is steady green, indicating active surge protection. If it is flashing red, the surge protection has been expended, and the unit should be replaced.
- **Cleaning:** Clean the surface of the outlet and wall plate with a soft, dry cloth. Do not use abrasive cleaners or solvents.

8. TROUBLESHOOTING

If you encounter issues with your Legrand On-Q Surge-Protected Duplex Power Kit, refer to the following troubleshooting guide:

Problem	Possible Cause	Solution
No power to outlet (LED OFF)	Circuit breaker tripped; Loose wiring connection; No power to circuit.	Check and reset circuit breaker. Verify all wiring connections are secure. Ensure power is supplied to the circuit.
LED is flashing RED (Audible alarm may sound)	Surge protection has been expended due to a power surge.	The surge protection components are no longer functional. The outlet will still provide power, but it no longer protects against surges. Replace the entire unit to restore surge protection.
Audible alarm sounds continuously	Surge protection is compromised.	Check the LED indicator. If flashing RED, the unit needs replacement. You can temporarily silence the alarm using the ON/OFF switch.
Outlet does not fit flush in box	Obstruction in box; Improperly seated wires.	Ensure wires are neatly folded into the box. Check for any debris or obstructions. Ensure mounting ears are properly aligned.

9. SPECIFICATIONS

Attribute	Detail
Brand	On-Q
Model	36456902V1
Color	White
Material	Metal
Product Dimensions (L x W)	7.3" x 3.4"
Total Power Outlets	2
Voltage	125 Volts
Amperage	15 Amps
Connectivity Technology	Hardwired
Surge Protection	340 Joules
Max Surge Capability	24kA
Item Weight	1.2 Pounds
Certifications	cULus Listed

DIMENSIONS

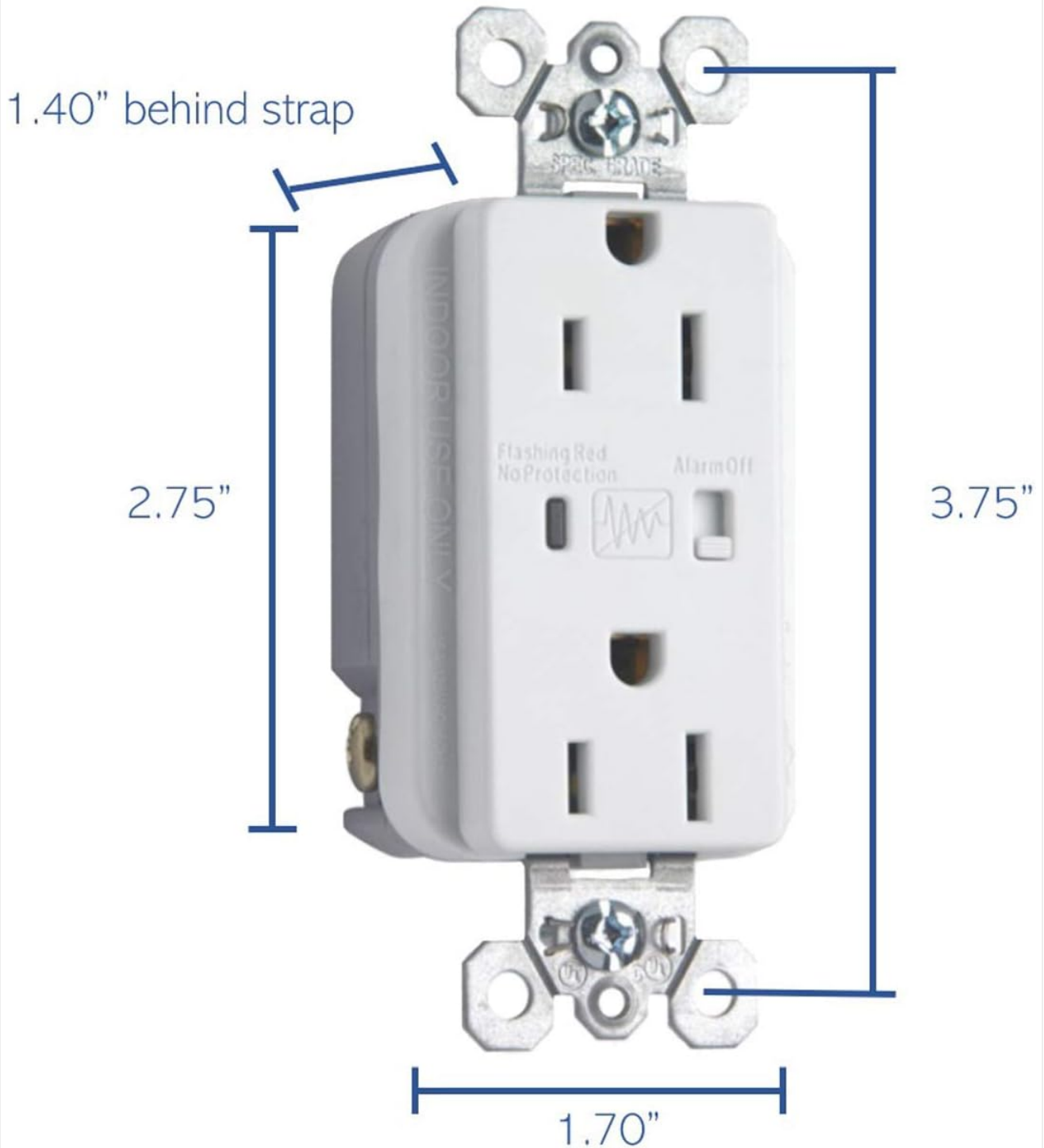


Image 9.1: This image provides detailed dimensions of the surge-protected duplex outlet, including its length, width, and depth behind the strap.

10. WARRANTY AND SUPPORT

10.1. Warranty Information

This Legrand On-Q product is covered by a warranty for **12 months from the date of purchase**. This warranty covers defects in materials and workmanship under normal use. For specific terms and conditions, please refer to the official warranty documentation provided with your product or contact Legrand On-Q customer service.

10.2. Customer Support

For technical assistance, troubleshooting, or warranty claims, please contact Legrand On-Q customer support. Contact information can typically be found on the product packaging or the official Legrand On-Q website. When contacting support, please have your product model number (36456902V1) and date of purchase readily available.