

[Manuals.plus](#) /

> [South Shore](#) /

> South Shore Vito Collection 5-Drawer Dresser Instruction Manual

South Shore Vito

South Shore Vito Collection 5-Drawer Dresser Instruction Manual

Model: Vito (Pure Black)

PRODUCT OVERVIEW

The South Shore Vito Collection 5-Drawer Dresser in Pure Black offers a timeless design with contemporary lines, accentuated by a decorative kick plate and matte nickel handles. This dresser features 5 spacious drawers with metal slides that include dampers and stops, designed for smooth operation and durability. Its versatile style makes it suitable for various room decors.



Image: The South Shore Vito Collection 5-Drawer Dresser in Pure Black, showcasing its five drawers and matte nickel handles.

SAFETY INFORMATION

WARNING: This product can expose you to chemicals including formaldehyde, which is known to the State of California to cause cancer. For more information, go to www.P65Warnings.ca.gov.

To prevent tip-over accidents, it is highly recommended to secure the dresser to a wall using the provided anti-tip hardware. Always follow the assembly instructions carefully to ensure proper installation of safety features.

PACKAGE CONTENTS

Before beginning assembly, ensure all parts and hardware are present and undamaged. Refer to the included assembly

document for a complete list of components. It is recommended to have a friend assist with unpacking and assembly due to the item's weight and size.



Image: A graphic detailing product information, including required assembly by 2 adults, a 5-year limited guarantee, and care instructions to clean with a soft cloth.

SETUP AND ASSEMBLY INSTRUCTIONS

Assembly is required for this dresser. Please follow the step-by-step instructions provided in the included assembly document. For visual guidance, refer to the official assembly video below. Two adults are recommended for assembly.

General Assembly Steps:

- Unpack and Organize:** Carefully unpack all components and lay them out on a clean, soft surface to prevent scratches. Identify all parts and hardware using the provided list.
- Assemble the Frame:** Begin by attaching the side panels to the base and back panels using the designated hardware. Ensure all connections are secure.
- Install Drawer Slides:** Attach the metal drawer slides to the interior side panels of the dresser frame. Pay attention to the orientation of the slides.
- Assemble Drawers:** Construct each of the five drawers by attaching the front, back, and side panels. Insert the bottom panel and secure the drawer slides to the sides of each drawer.
- Attach Handles:** Secure the matte nickel handles to the front of each drawer.
- Insert Drawers:** Carefully slide each assembled drawer into its corresponding position in the dresser frame.
- Secure to Wall:** For safety, attach the dresser to a wall stud using the anti-tip hardware provided. This is crucial to prevent accidental tip-overs.

Assembly Video Guide:

Your browser does not support the video tag.

Video: Official South Shore Assembly Guide. This video demonstrates the step-by-step process of assembling a South Shore furniture piece, including attaching panels, installing drawer slides, and constructing drawers.

OPERATING INSTRUCTIONS

The Vito Collection dresser features metal drawer slides with dampers and stops, designed for smooth and quiet operation. To open a drawer, gently pull the matte nickel handle. To close, push the drawer firmly until it is fully seated within the frame. The stops prevent drawers from being accidentally pulled out completely.



Image: A close-up view of a drawer front with a circular matte nickel handle, highlighting the contemporary design.

MAINTENANCE

To maintain the appearance and longevity of your South Shore dresser, wipe it with a dry, soft cloth. Avoid using abrasive cleaners or harsh chemicals, as these can damage the finish. Regularly check all hardware connections and tighten them if necessary to ensure stability.

TROUBLESHOOTING

- **Drawers not closing/opening smoothly:** Ensure that the drawer slides are correctly installed and aligned. Check for any obstructions within the drawer tracks. Verify that all screws securing the slides are tight.
- **Dresser feels unstable:** Confirm that all assembly hardware is fully tightened. Ensure the dresser is placed on a level surface. If stability issues persist, re-check the wall-anchoring hardware and ensure it is securely fastened to a wall stud.
- **Damaged parts:** If any parts arrived damaged or become damaged during assembly, please contact South Shore Furniture customer support for assistance.

SPECIFICATIONS

Brand:	South Shore
Model Name:	Vito
Color:	Pure Black
Material:	Wood
Product Dimensions (D x W x H):	19.5"D x 31.25"W x 48.75"H
Number of Drawers:	5
Item Weight:	86 Pounds
Required Assembly:	Yes
UPC:	066311042191

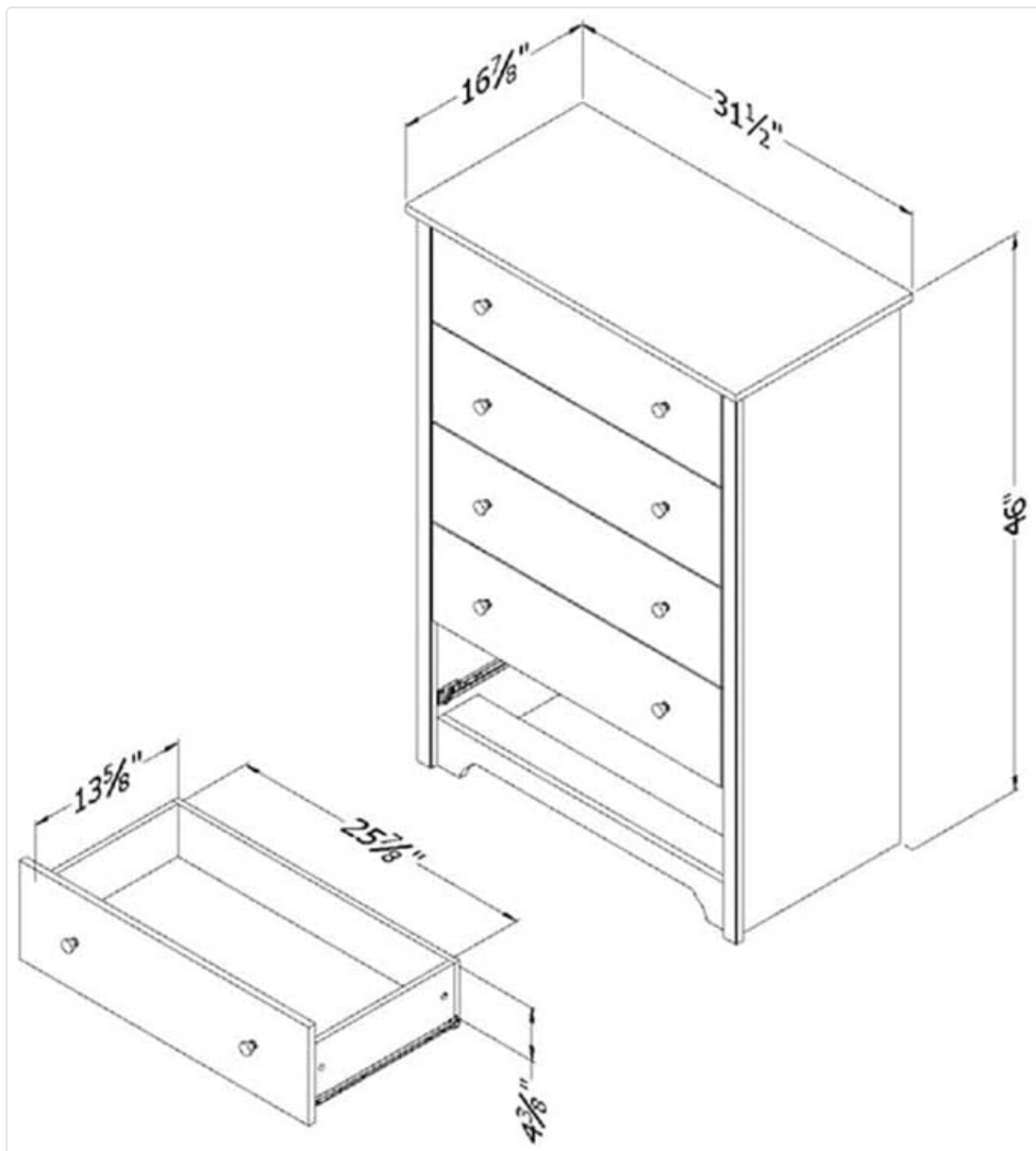


Image: A technical drawing illustrating the dimensions of the 5-drawer dresser, including height, width, and depth, as well as individual drawer dimensions.

WARRANTY AND SUPPORT

5-Year Limited Guarantee: South Shore Industries Ltd. provides the original buyer with a warranty covering defects on furniture parts and workmanship for a period of 5 years from the date of purchase.

Customer Support: If you have any questions during assembly, require replacement parts, or need further assistance, do not hesitate to contact South Shore Furniture for immediate support. Contact information can be found on their official website or the assembly document.

Quality Assurance:

South Shore products undergo rigorous testing to ensure durability and safe transit. The company utilizes an ISTA-certified lab to simulate shipping conditions, performing more drop tests than required to ensure products arrive intact.

Your browser does not support the video tag.

Video: South Shore ISTA Lab. This video demonstrates the rigorous testing procedures conducted in the ISTA lab to ensure product packaging can withstand shipping conditions and prevent damage.

