

Manuals.plus /

› TONE /

› TONE 1800M 1/4-inch Drive 19-Piece Socket Wrench Set Instruction Manual

## TONE 1800M

# TONE 1800M 1/4-inch Drive 19-Piece Socket Wrench Set Instruction Manual

Model: 1800M | Brand: TONE

## 1. INTRODUCTION

This instruction manual provides comprehensive guidance for the safe and effective use of your TONE 1800M 1/4-inch Drive 19-Piece Socket Wrench Set. This set is designed for precision tasks, making it suitable for the assembly and maintenance of small machinery, weak electrical systems, and other precision equipment. It is particularly well-suited for light work such as mounting electrical parts.

Please read this manual thoroughly before using the product and retain it for future reference.

## 2. PRODUCT OVERVIEW

The TONE 1800M set includes 19 essential pieces for various fastening applications. Below is a detailed list of the components and visual representations of the set.

### 2.1. Set Contents

- Drive: 0.25 inch (6.35 mm)
- Handle Contents: Ratchet Handle (RH20), Spinner Handle (111), T-Slide Handle (SL20), Driver Handle (115), Extension Bar (206:50mm, 207:150mm), Universal Joint (108)
- Socket Contents: Hexagonal: 0.18, 0.22, 0.24, 0.23, 0.55, 0.23, 0.55, 0.55, 0.55, 0.55, 0.55, 0.55, 0.55, 0.65 (Note: The provided data lists these as 'inches' but the video and other specs suggest metric sizes 4mm to 14mm. Please refer to the detailed specifications section for precise metric sizes.)
- Total Set Contents: 19 pieces

### 2.2. Product Images



Figure 1: The complete TONE 1800M 1/4-inch Drive 19-Piece Socket Wrench Set displayed in its open metal case, showcasing all components neatly organized.



Figure 2: An angled perspective of the TONE 1800M set, highlighting the arrangement of sockets, handles, and accessories within the protective case.



Figure 3: A different angled view of the TONE 1800M set, providing a clear look at the various tool types and their placement.



Figure 4: The TONE 1800M socket wrench set in its closed, durable metal case, featuring the embossed TONE logo on the lid.

## 2.3. Product Video

Your browser does not support the video tag.

Video 1: An overview of the TONE 1800M Metric Ratchet Set, demonstrating its components and features. This video provides a closer look at the quality and design of the tools included in the metal case.

## 3. SETUP

Upon receiving your TONE 1800M Socket Wrench Set, carefully unpack all components from the packaging. Inspect each tool for any signs of damage that may have occurred during transit. Ensure all 19 pieces listed in Section 2.1 are present. The tools are pre-organized in a durable metal case for easy storage and transport.

No assembly is required for the individual tools; they are ready for immediate use. Familiarize yourself with the different types of sockets and handles before beginning any work.

## 4. OPERATING INSTRUCTIONS

This section outlines the general operation of the tools within your TONE 1800M set.

### 4.1. Selecting the Correct Socket

Choose the hexagonal socket that precisely matches the size of the fastener (nut or bolt head) you intend to work on. Using an incorrectly sized socket can lead to stripping the fastener or damaging the tool.

### 4.2. Attaching Sockets to Handles

- **Ratchet Handle (RH20):** Press the socket firmly onto the square drive of the ratchet handle until it clicks into place. To release, press the quick-release button (if present) and pull the socket off. The ratchet mechanism allows for continuous turning without repositioning the handle. Use the directional switch on the ratchet head to select tightening or loosening.
- **Spinner Handle (111) / Driver Handle (115):** These handles provide a direct drive for quick turning of fasteners. Simply push the socket onto the square drive.
- **T-Slide Handle (SL20):** The T-slide handle allows for increased leverage and can be positioned

along its bar for optimal balance and access. Attach the socket to the square drive.

### 4.3. Using Extension Bars and Universal Joint

- **Extension Bars (206:50mm, 207:150mm):** Use extension bars to reach fasteners in recessed or obstructed areas. Attach an extension bar between the handle and the socket.
- **Universal Joint (108):** The universal joint allows for angular access to fasteners that are not in a direct line with the handle. Attach it between an extension bar (or handle) and the socket. Note that using a universal joint may reduce the effective torque and should be used with care.

### 4.4. Tightening and Loosening Fasteners

For tightening, turn the handle clockwise. For loosening, turn counter-clockwise. Always apply steady, controlled force. Avoid excessive force that could damage the tool or fastener.

## 5. MAINTENANCE

---

Proper maintenance ensures the longevity and optimal performance of your TONE socket wrench set.

### 5.1. Cleaning

After each use, wipe down all tools with a clean, dry cloth to remove dirt, grease, and debris. For stubborn grime, a mild degreaser can be used, followed by thorough drying.

### 5.2. Lubrication

Periodically apply a light coat of machine oil to the moving parts of the ratchet handle and universal joint to ensure smooth operation and prevent corrosion. Avoid over-lubrication.

### 5.3. Storage

Always store the tools in their original metal case in a dry environment to prevent rust and damage. Ensure each tool is placed in its designated slot to prevent rattling and wear.

## 6. TROUBLESHOOTING

---

If you encounter issues while using your TONE socket wrench set, consider the following common troubleshooting steps:

- **Socket slipping on fastener:** Ensure you are using the correct size socket for the fastener. The socket should fit snugly without play.
- **Ratchet mechanism not engaging:** Check the directional switch on the ratchet head. Ensure it is fully engaged in either the tightening or loosening position. Clean any debris from the ratchet mechanism.
- **Difficulty attaching/detaching sockets:** Ensure the square drive and socket opening are clean and free of debris. A small amount of lubricant on the drive may help.
- **Tool damage:** Avoid using excessive force or using tools for purposes they were not designed for. If a tool is damaged, discontinue use and consider replacement.

## 7. SPECIFICATIONS

---

Detailed technical specifications for the TONE 1800M Socket Wrench Set:

# Models **1800M**

Contents **19 Items** (Socket : 12/ Handle : 7)

Descriptions	Models/The specification
SOCKET (6pt.)	<b>2S-</b> 04, 05, 5.5, 06, 07, 08, 09, 10, 11, 12, 13, 14
RATCHET HANDLE (SOCKET HOLD TYPE)	<b>RH2H</b>
SPINNER HANDLE	<b>NS2</b>
T-TYPE SLIDE HANDLE	<b>SL20</b>
DRIVER HANDLE	<b>115</b>
EXTENSION BAR	<b>206 (50mm)</b> <b>207 (150mm)</b>
UNIVERSAL JOINT	<b>UJ20</b>
TOOL CASE (METAL)	<b>MCT1</b>

- Package size : w206 x d117 x h45mm
- Weight : 1.2kg
- Tray : TCA001

Figure 5: A table detailing the specifications and contents of the TONE 1800M set, including socket sizes and handle models.

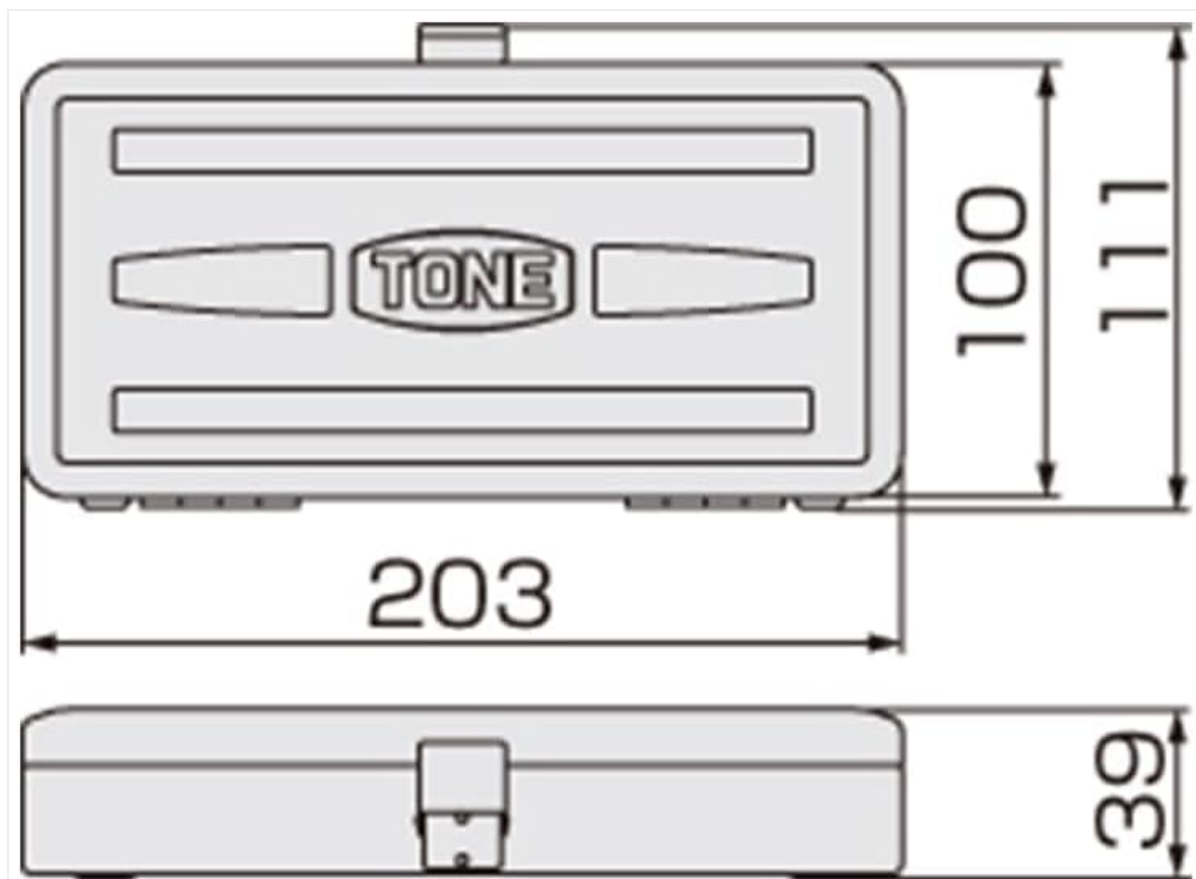


Figure 6: A diagram illustrating the dimensions of the TONE 1800M metal tool case.

## TONE 1800M Socket Wrench Set Specifications

Feature	Specification
Model Number	1800M
Drive Size	1/4 inch (6.35 mm)
Set Contents	19 pieces (12 sockets, 7 handles/accessories)
Socket Sizes (Hexagonal)	4, 5, 5.5, 6, 7, 8, 9, 10, 11, 12, 13, 14 mm
Handle Types	Ratchet Handle (RH2H), Spinner Handle (NS2), T-Type Slide Handle (SL20), Driver Handle (115)
Accessories	Extension Bar (206:50mm, 207:150mm), Universal Joint (UJ20)
Case Type	Metal Tool Case (MCT1)
Material	Metal
Color	Silver
Item Weight	2.35 pounds (approx. 1.07 kg)
Product Dimensions	4.61 x 8.11 x 1.77 inches (approx. 117 x 206 x 45 mm)

## 8. WARRANTY AND SUPPORT

For information regarding product warranty, returns, or technical support, please refer to the documentation included with your purchase or contact the seller directly. Keep your proof of purchase for any warranty claims.

For further assistance, you may also visit the official TONE website or contact their customer service department.