

[Manuals.plus](#) /

› [Bosch Professional](#) /

› Bosch Professional GWS 22-230 JH Angle Grinder User Manual

Bosch Professional 0601882M03

Bosch Professional GWS 22-230 JH Angle Grinder User Manual

Model: 0601882M03

1. INTRODUCTION AND OVERVIEW

The Bosch Professional GWS 22-230 JH Angle Grinder is a robust and powerful tool designed for demanding cutting and grinding applications. Its compact design and high-performance motor ensure efficient work progress and excellent handling.



Figure 1: The Bosch Professional GWS 22-230 JH Angle Grinder, a powerful tool for various applications.

Key Features:

- Powerful 2200W motor for fast working progress.

- High lightness for perfect handling during extended use.
- Contoured protective cover for enhanced user safety in case of disc breakage.
- Starting current limitation for a safe and controlled start-up.
- Simple disc change mechanism with spindle lock.
- Anti-rotation protective guard and electronic restart protection for safe operation.

2. SAFETY INSTRUCTIONS

Always observe general power tool safety warnings and instructions. Failure to follow the warnings and instructions may result in electric shock, fire, and/or serious injury. Save all warnings and instructions for future reference.

General Power Tool Safety Warnings:

- **Work Area Safety:** Keep work area clean and well lit. Cluttered or dark areas invite accidents. Do not operate power tools in explosive atmospheres, such as in the presence of flammable liquids, gases, or dust.
- **Electrical Safety:** Power tool plugs must match the outlet. Never modify the plug in any way. Do not abuse the cord. Never use the cord for carrying, pulling, or unplugging the power tool.
- **Personal Safety:** Always wear eye protection. Use personal protective equipment such as dust mask, non-skid safety shoes, hard hat, or hearing protection for appropriate conditions. Stay alert, watch what you are doing, and use common sense when operating a power tool.
- **Power Tool Use and Care:** Do not force the power tool. Use the correct power tool for your application. Disconnect the plug from the power source and/or remove the battery pack, if detachable, from the power tool before making any adjustments, changing accessories, or storing power tools.
- **Service:** Have your power tool serviced by a qualified repair person using only identical replacement parts. This will ensure that the safety of the power tool is maintained.

Specific Angle Grinder Safety Warnings:

- This power tool is intended to function as a grinder, sander, wire brush or cut-off tool. Read all safety warnings, instructions, illustrations and specifications provided with this power tool.
- Always use the correct type of protective guard for the specific application.
- Ensure the auxiliary handle is securely fastened before use.
- Never use damaged or incorrect accessories.
- Always hold the tool firmly with both hands during operation.

3. PACKAGE CONTENTS

Upon opening the carton, please verify that all components are present and undamaged:

- Bosch Professional GWS 22-230 JH Angle Grinder unit
- Auxiliary handle
- Protective guard
- Carton packaging

If any items are missing or damaged, please contact your retailer or Bosch Professional customer service.

4. SETUP

4.1 Attaching the Auxiliary Handle

The auxiliary handle can be screwed into three different positions on the gear head (left, right, or top) to suit your working preference and application. Ensure it is tightened securely before operation.

4.2 Installing the Protective Guard

The protective guard is essential for user safety. Position the guard so that it protects your hands and body from sparks and debris. The guard is designed to be anti-rotation for added safety. Adjust its position by loosening the clamping lever, rotating the guard to the desired position, and then securely tightening the lever.



Figure 2: The angle grinder with its auxiliary handle and protective guard correctly installed.

4.3 Mounting the Grinding Disc

1. Ensure the tool is unplugged from the power source.
2. Press the spindle lock button to secure the spindle.
3. Place the inner flange onto the spindle.
4. Place the grinding disc onto the inner flange, ensuring it sits flush.
5. Screw the clamping nut onto the spindle and tighten it firmly using the supplied spanner.
6. Release the spindle lock.

5. OPERATING INSTRUCTIONS

5.1 General Operation

Before starting, ensure your work area is clear, you are wearing appropriate personal protective equipment (PPE), and the workpiece is securely clamped. Always hold the angle grinder firmly with both hands, using the main handle and the auxiliary handle.

5.2 Starting and Stopping

- **To Start:** Plug the tool into a suitable power outlet. Press the ON/OFF switch. The starting current limitation feature ensures a smooth start.
- **To Stop:** Release the ON/OFF switch. Allow the disc to come to a complete stop before setting the tool down.

5.3 Working with the Angle Grinder

Apply light, even pressure when grinding or cutting. Do not force the tool, as this can lead to overheating, reduced performance, and potential injury. Allow the tool's speed and the disc's abrasive action to do the work. For cutting, always cut in a straight line and avoid twisting the disc in the cut.

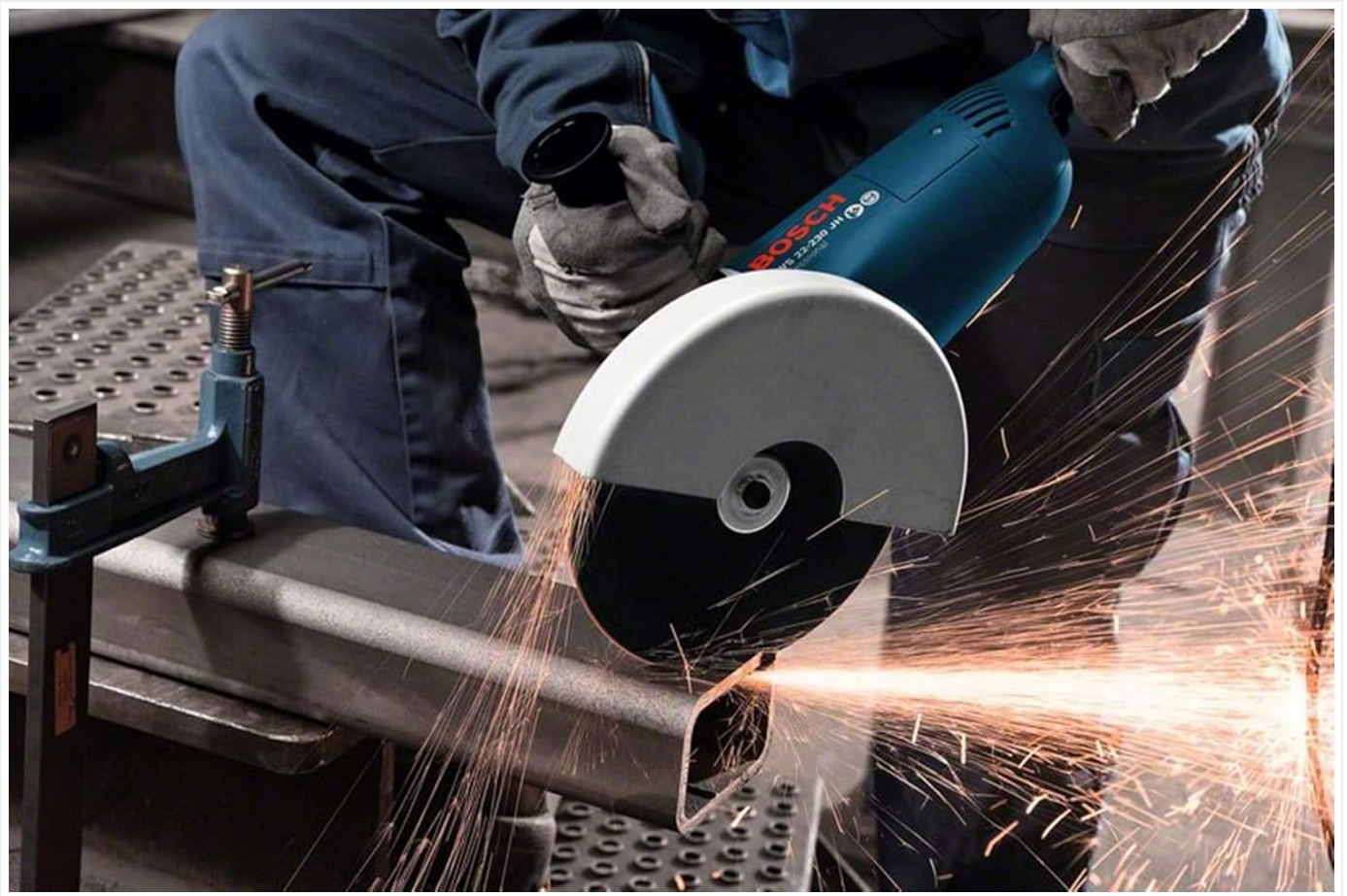


Figure 3: Proper technique for using the angle grinder for cutting metal, demonstrating safe operation with sparks.

6. MAINTENANCE

Regular maintenance ensures the longevity and safe operation of your angle grinder.

- **Cleaning:** Regularly clean the ventilation slots to prevent dust buildup, which can cause overheating. Use a soft brush or compressed air.
- **Disc Inspection:** Before each use, inspect the grinding disc for cracks, chips, or excessive wear. Replace damaged discs immediately.
- **Carbon Brushes:** The carbon brushes are wear parts. If the motor performance decreases significantly or the tool stops, the carbon brushes may need replacement. This should be done by a qualified service technician.
- **Storage:** Store the tool in a dry, secure place out of reach of children when not in use.

7. TROUBLESHOOTING

This section addresses common issues you might encounter with your angle grinder.

Problem	Possible Cause	Solution
Tool does not start.	No power supply; electronic restart protection activated; worn carbon brushes.	Check power connection; unplug and replug to reset protection; have carbon brushes checked/replaced by service.
Tool loses power or overheats.	Overload; blocked ventilation slots; worn carbon brushes.	Reduce pressure; clean ventilation slots; have carbon brushes checked/replaced.

Problem	Possible Cause	Solution
Excessive vibration.	Damaged or improperly mounted disc; loose auxiliary handle.	Inspect and replace disc if necessary; ensure disc is mounted correctly; tighten auxiliary handle.

8. TECHNICAL SPECIFICATIONS

Detailed specifications for the Bosch Professional GWS 22-230 JH Angle Grinder:

Specification	Value
Manufacturer	Bosch Professional
Part Number	0601882M03
Item Weight	5.2 Kilograms
Product Dimensions	72 x 31 x 17.5 cm
Disc Diameter	230 mm
Color	Multicolor
Material	PVC
Voltage	240 Volts
Wattage	2200 watts
Noise Level	44 dB
ASIN	B002L4597C

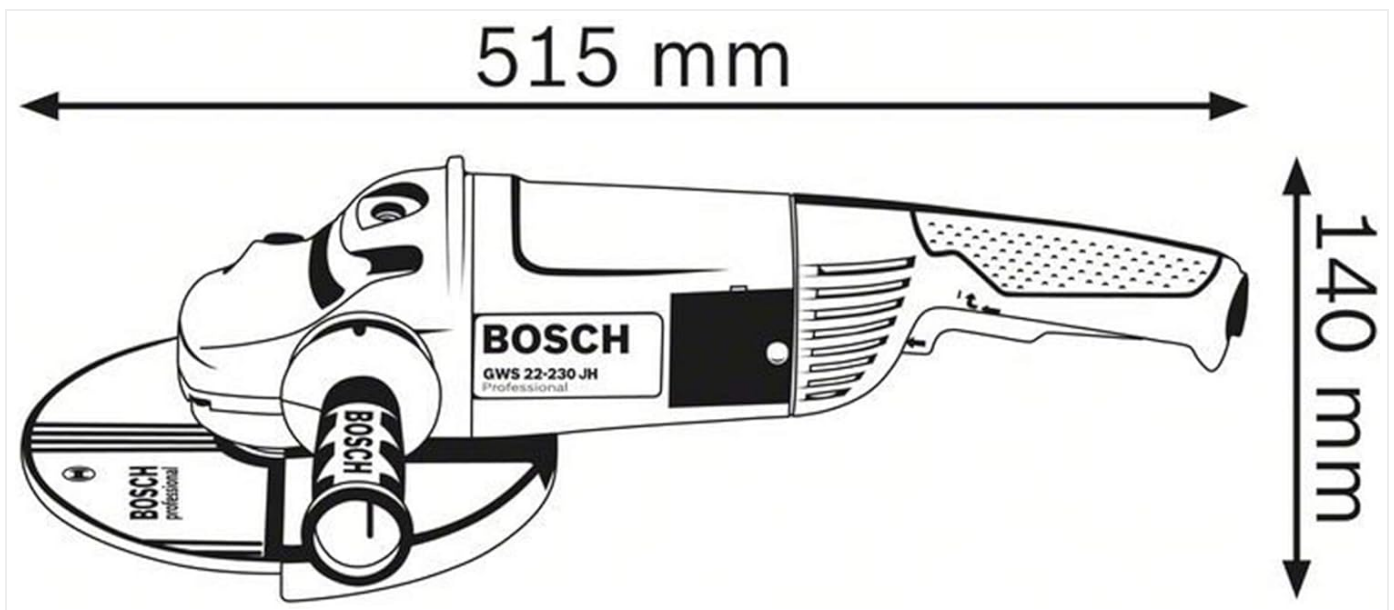


Figure 4: Dimensional drawing of the Bosch GWS 22-230 JH Angle Grinder, indicating its overall length of 515 mm and height of 140 mm.

9. WARRANTY AND SUPPORT

Bosch Professional products are manufactured to the highest quality standards. For information regarding the warranty

period and terms applicable to your region, please refer to the warranty card included with your product or visit the official Bosch Professional website.

For technical support, spare parts, or service inquiries, please contact your local authorized Bosch Professional service center. You can find contact details on the official Bosch Professional website or through your product retailer.

Online Resources:

- Official Bosch Professional Website: www.bosch-professional.com
- Product Registration: Register your product online to receive updates and support.