



Manuals.plus /

› **Hormann** /

› Hormann Radio Receiver HE 1 (868 MHz) Instruction Manual

Hormann 437404

Hormann Radio Receiver HE 1 (868 MHz) Instruction Manual

Model: 437404 | Brand: Hormann

1. PRODUCT OVERVIEW

The Hormann HE 1 1-channel radio receiver operates at 868 MHz and is designed for use with Hormann garage door and gate operators. This compact receiver comes in a separate casing, equipped with a 0.5-meter, 3-wire connection cable for easy integration.

It functions by providing a 0.5-second pulse, suitable for triggering gate or garage door movements. The device requires a 24 V DC operating voltage and is intended for installation in dry indoor environments only.



Figure 1: Hormann HE 1 Radio Receiver. This image shows the compact black receiver unit with its attached black cable, which terminates in a multi-pin connector with brown, white, and green wires visible.

2. SAFETY INFORMATION

Please read and understand all safety instructions before installing or operating the Hormann HE 1 radio receiver.

Failure to follow these instructions may result in electric shock, fire, or serious injury.

- **Electrical Safety:** Installation must be performed by a qualified electrician or competent person. Ensure the power supply is disconnected before any wiring work.
- **Operating Environment:** This receiver is designed for use in *dry rooms only*. Do not expose the device to moisture, water, or high humidity.
- **Voltage:** Only connect the receiver to a 24 V DC power source. Connecting to an incorrect voltage may damage the device and pose a safety risk.
- **Cable Integrity:** Regularly inspect the connection cable for any signs of damage. Do not use the device if the cable is frayed or damaged.
- **Modifications:** Do not attempt to open, modify, or repair the receiver. Refer all servicing to qualified personnel.

3. PACKAGE CONTENTS

Verify that all components are present and undamaged upon unpacking:

- 1 x Hormann HE 1 1-channel Radio Receiver (868 MHz)
- 1 x Integrated 0.5m, 3-wire connection cable
- Installation material (e.g., screws for mounting)

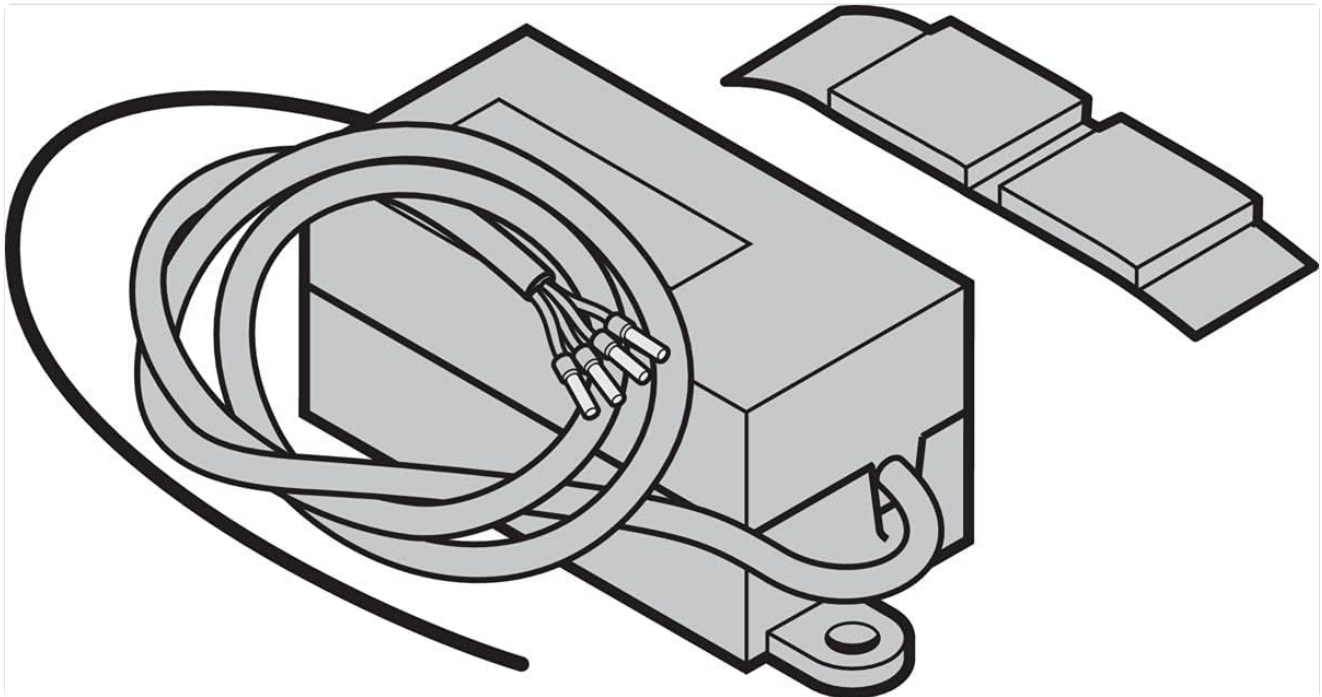


Figure 2: Diagram of Hormann HE 1 Radio Receiver. This illustration shows the receiver unit with its coiled connection cable and a separate component, likely representing the installation material or a cover.

4. SETUP AND INSTALLATION

The Hormann HE 1 receiver is designed for straightforward integration with compatible Hormann gate and garage door operators. Follow these steps for proper installation:

1. **Choose Location:** Select a suitable location for the receiver. It must be in **adry indoor environment**, protected from moisture, dust, and extreme temperatures. Ensure it is within reach of the gate/garage door operator's connection terminals.
2. **Disconnect Power:** Before making any electrical connections, ensure the power supply to the Hormann gate or garage door operator is completely disconnected at the main circuit breaker.
3. **Mount the Receiver:** Use the provided installation material (e.g., screws) to securely mount the receiver unit in the chosen location. The casing has pre-drilled holes for this purpose.
4. **Connect Wiring:** The receiver comes with a 0.5-meter, 3-wire connection cable. Carefully connect these wires to the appropriate terminals on your Hormann gate or garage door operator.
 - Refer to your specific Hormann operator's manual for the correct wiring diagram for a 24 V DC pulse input.
 - Ensure correct polarity if specified by your operator. The receiver requires a 24 V DC supply.
5. **Secure Connections:** Double-check all wire connections to ensure they are tight and secure. Loose connections can lead to intermittent operation or electrical hazards.
6. **Restore Power:** Once all connections are verified and secure, restore power to the gate/garage door operator.

Note: This receiver is designed to work with Hormann gate/garage door operators that accept a 24 V DC pulse input for activation. Compatibility with other brands or systems is not guaranteed.

5. OPERATING INSTRUCTIONS

The Hormann HE 1 radio receiver acts as an interface between your Hormann 868 MHz remote control (not included) and your gate/garage door operator. Its function is to provide a brief 0.5-second pulse to the operator when a valid signal is received.

1. **Pairing Remote Control:** Before operation, you must pair your Hormann 868 MHz remote control with the HE 1 receiver. The exact pairing procedure depends on your specific Hormann remote control and operator model.
 - Typically, this involves pressing a programming button on the receiver or operator, followed by pressing a button on the remote control.
 - Refer to the instruction manual of your Hormann remote control and/or garage door operator for detailed pairing instructions.
2. **Normal Operation:** Once paired, pressing the programmed button on your Hormann 868 MHz remote control will send a signal to the HE 1 receiver. The receiver will then generate a 0.5-second pulse, which triggers the connected Hormann gate or garage door operator to perform its programmed action (e.g., open, close, stop).
3. **Signal Range:** Ensure you are within the effective operating range of the receiver when attempting to activate the gate/door. Obstacles and interference can affect signal range.

6. MAINTENANCE

The Hormann HE 1 radio receiver requires minimal maintenance to ensure long-term reliable operation.

- **Cleaning:** Periodically wipe the exterior of the receiver with a soft, dry cloth to remove dust. Do not use liquid cleaners, solvents, or abrasive materials.
- **Inspection:** Annually inspect the connection cable for any signs of wear, fraying, or damage. Ensure all electrical connections remain secure.
- **Environment:** Ensure the receiver remains in a dry environment. If the installation location becomes damp or wet, relocate the receiver to a suitable dry area.
- **No User-Serviceable Parts:** The receiver contains no user-serviceable parts. Do not attempt to open the casing.

7. TROUBLESHOOTING

If you experience issues with your Hormann HE 1 radio receiver, consult the following troubleshooting guide:

Problem	Possible Cause	Solution
Receiver not responding to remote control.	Remote control not paired. Remote control battery low/dead. Receiver not powered. Incorrect frequency or signal interference. Receiver or operator fault.	Re-pair the remote control with the receiver/operator (refer to operator manual). Replace remote control battery. Check power supply to the operator and receiver (24 V DC). Ensure remote is 868 MHz. Minimize sources of interference. Contact Hormann support or a qualified technician.
Gate/door operates intermittently.	Loose wiring connections. Signal interference. Receiver exposed to moisture.	Check and secure all wiring connections. Identify and remove sources of interference. Ensure receiver is in a dry environment.
Receiver appears damaged.	Physical damage or water ingress.	Do not attempt to repair. Disconnect power and contact Hormann support for replacement.

8. SPECIFICATIONS

Feature	Detail
Manufacturer	Hormann
Model Number	437404
Product Dimensions (L x W x H)	5.9 x 2.9 x 2.9 cm
Item Weight	200 Grams
Material	Plastic
Operating Voltage	24 V DC
Frequency	868 MHz
Function	Pulse (0.5 s)
Protection Type	For dry rooms only
Cable Length	0.5 meters
Cable Type	3-wire, pluggable
Components Included	Installation material
Assembly Required	Yes
Country of Origin	Germany

9. WARRANTY AND SUPPORT

Hormann products are manufactured to high quality standards. For information regarding warranty coverage, please refer to the warranty documentation provided with your purchase or visit the official Hormann website.

For technical support, troubleshooting assistance beyond this manual, or to inquire about replacement parts, please contact Hormann customer service or your authorized Hormann dealer. Contact details can typically be found on the Hormann website or in your product packaging.

When contacting support, please have your product model number (437404) and purchase information readily available.