

Manuals.plus /

› Wilwood /

› Wilwood Dynapro 6-Piston Brake Kit 12.19in for 1970-1978 Camaro Instruction Manual

Wilwood 140-10738-D

Wilwood Dynapro 6-Piston Brake Kit 12.19in for 1970-1978 Camaro Instruction Manual

Model: 140-10738-D

1. INTRODUCTION

This manual provides essential instructions for the proper installation, operation, and maintenance of your Wilwood Dynapro 6-Piston Brake Kit, Model 140-10738-D, designed for 1970-1978 Chevrolet Camaro vehicles. Please read this manual thoroughly before beginning any installation or operation to ensure safety and optimal performance of your brake system.



Figure 1.1: Assembled Wilwood Dynapro 6-Piston Brake Kit, showcasing the drilled and slotted rotors with black 6-piston calipers.

2. SAFETY INFORMATION

WARNING:

- Brake system installation requires advanced mechanical knowledge and specialized tools. If you are not confident in your abilities, seek professional installation.
- Improper installation or maintenance of brake components can lead to brake failure, resulting in serious injury or death.
- Always wear appropriate personal protective equipment (PPE), including safety glasses and gloves, during installation.
- Ensure the vehicle is securely supported on jack stands before working underneath it. Never rely solely on a jack.
- Brake fluid is corrosive. Avoid contact with skin and painted surfaces. Dispose of used brake fluid responsibly.
- After installation, thoroughly bleed the brake system and test brake function in a safe, controlled environment before driving the vehicle.
- This product contains chemicals known to the State of California to cause cancer and birth defects or other reproductive harm. Wash hands after handling.

3. PACKAGE CONTENTS

Verify that all components listed below are present and undamaged before beginning installation. Refer to Figure 3.1 for a visual representation of the kit contents.

- Dynapro 6-Piston Calipers (2)
- 12.19-inch Drilled and Slotted Rotors (2)
- Caliper Mounting Brackets (2)
- Brake Pads (Set for 2 calipers)
- Hubs (2)
- Bearings and Seals (Set)
- Mounting Hardware (Bolts, washers, nuts)
- Detailed Installation Instructions (This manual)



Figure 3.1: All components of the Wilwood Dynapro 6-Piston Brake Kit laid out, including calipers, rotors, hubs, pads, and hardware.

4. INSTALLATION

This section outlines the general steps for installing the Wilwood Dynapro Brake Kit. Specific torque values and detailed procedures may vary; always consult a professional mechanic or Wilwood's official technical documentation for precise instructions.

4.1 Pre-Installation Checks

- Ensure the vehicle is cool and on a level surface.
- Disconnect the negative battery terminal.
- Gather all necessary tools, including jack, jack stands, wrenches, sockets, torque wrench, brake fluid, and bleeding kit.
- Confirm compatibility with your vehicle's existing steering arm and spindle.

4.2 Removal of Existing Brake Components

1. Loosen lug nuts on the front wheels.
2. Raise the vehicle and secure it on jack stands. Remove front wheels.
3. Remove the existing brake caliper, pads, and rotor. Disconnect the brake line from the caliper. Cap the brake line to prevent fluid loss.
4. Remove the existing hub and spindle nut.

4.3 Assembly and Installation of New Components

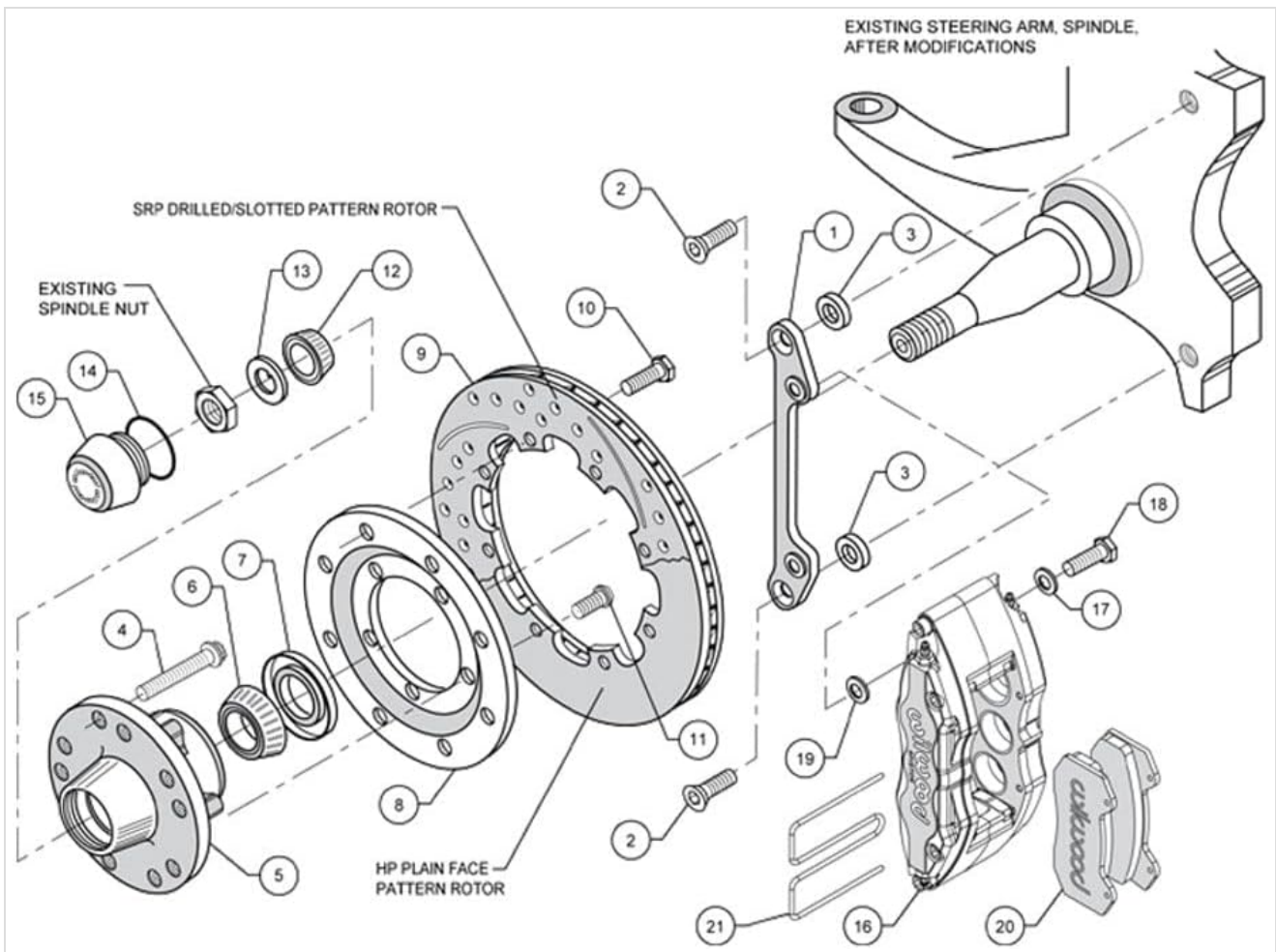


Figure 4.1: Exploded view diagram illustrating the assembly order of the Wilwood Dynapro Brake Kit components, including the hub, rotor, caliper, and mounting hardware onto the vehicle's spindle.

5. Assemble the new rotor to the hub using the provided hardware. Ensure proper orientation.
6. Install the new bearings and seals into the hub.
7. Mount the assembled hub and rotor onto the vehicle's spindle. Secure with the new spindle nut, ensuring proper bearing preload according to Wilwood specifications.
8. Attach the caliper mounting bracket to the spindle.
9. Mount the Dynapro 6-Piston caliper onto the bracket.
10. Install the new brake pads into the caliper.
11. Connect the brake line to the new caliper. Use new crush washers and ensure a tight, leak-free connection.

4.4 Post-Installation Procedures

11. Bleed the entire brake system thoroughly to remove all air. Start with the caliper furthest from the master cylinder.
12. Check for any brake fluid leaks.
13. Reinstall the wheels and torque lug nuts to vehicle manufacturer specifications.
14. Lower the vehicle.
15. Pump the brake pedal several times to ensure proper pad seating and firm pedal feel.
16. Perform a test drive in a safe area, gradually increasing brake pressure and speed to bed-in the new pads and rotors. Avoid hard braking during the initial bed-in period.

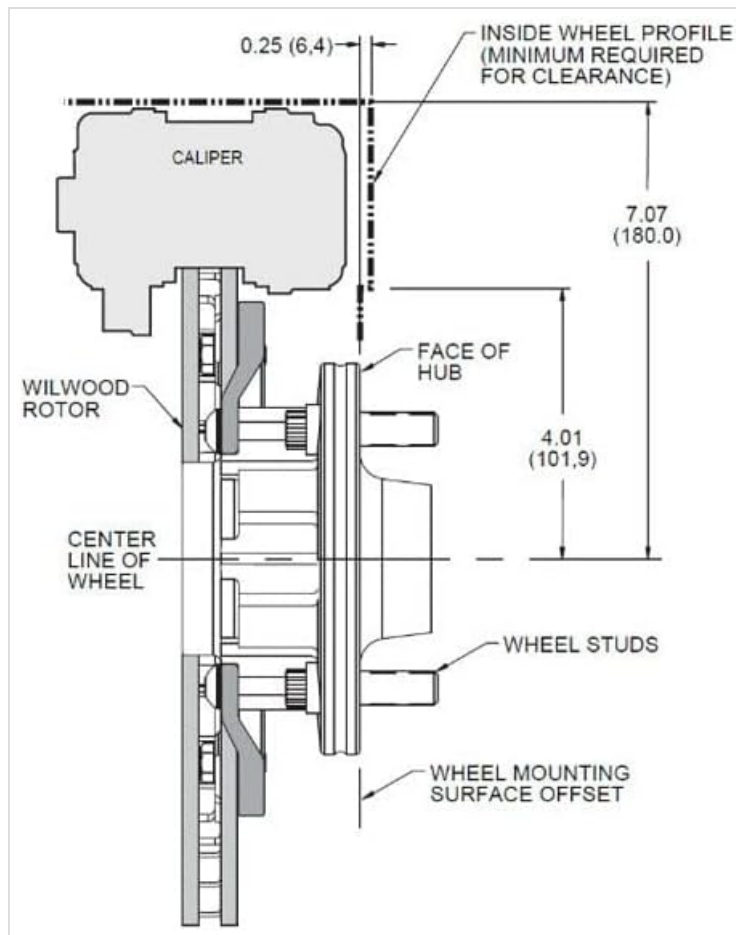


Figure 4.2: Diagram illustrating the minimum required clearance between the caliper and the inside wheel profile, along with wheel mounting surface offset and rotor dimensions. This is critical for ensuring proper fitment and preventing interference.

5. OPERATING INSTRUCTIONS

Once properly installed and bedded-in, your Wilwood Dynapro brake system will provide enhanced stopping performance. Observe the following:

- **Brake Pedal Feel:** The brake pedal should feel firm and consistent. Any sponginess or excessive travel indicates air in the system or other issues that require immediate attention.
- **Brake Noise:** Some noise (squealing, grinding) can occur during the initial bed-in period. Persistent or loud noises after bed-in may indicate an issue with pad seating, rotor condition, or caliper function.
- **Brake Fade:** While designed for high performance, extreme and prolonged braking can still lead to brake fade. Allow brakes to cool if fade is experienced.
- **Driving Conditions:** Adjust your driving style to account for the improved braking performance. Always maintain a safe following distance.

6. MAINTENANCE

Regular maintenance is crucial for the longevity and safe operation of your Wilwood brake system.

- **Routine Inspection:** Periodically inspect calipers, rotors, and pads for wear, damage, or leaks. Check brake lines for cracks or abrasions.
- **Pad Wear:** Monitor brake pad thickness. Replace pads when they reach their minimum recommended thickness.
- **Rotor Condition:** Inspect rotors for cracks, excessive wear, or warping. Replace rotors if they are below minimum thickness or severely damaged.

- **Brake Fluid:** Check brake fluid level regularly and top off with recommended DOT 3 or DOT 4 fluid as needed. Flush and replace brake fluid according to vehicle manufacturer recommendations or at least every two years.
- **Hardware:** Ensure all mounting bolts are secure and torqued to specification.

7. TROUBLESHOOTING

Symptom	Possible Cause	Solution
Soft or Spongy Pedal	Air in the brake lines; low brake fluid; faulty master cylinder.	Bleed brake system; check fluid level and add if necessary; inspect master cylinder.
Excessive Brake Noise (Squealing/Grinding)	Worn brake pads; improper pad seating; rotor damage; foreign material.	Inspect and replace pads; re-bed pads; inspect and replace rotors; clean components.
Vibration During Braking	Warped rotors; uneven pad wear; loose wheel bearings.	Inspect and replace rotors; inspect and replace pads; check and adjust wheel bearings.
Brake Fluid Leak	Loose fittings; damaged brake line; leaking caliper seal.	Tighten fittings; replace damaged lines; inspect and rebuild/replace caliper.

If you encounter issues not listed here or are unable to resolve a problem, contact Wilwood technical support or a qualified automotive technician.

8. SPECIFICATIONS

Feature	Detail
Brand	Wilwood
Model Number	140-10738-D
Application	1970-1978 Chevrolet Camaro
Caliper Type	Dynapro 6-Piston
Rotor Diameter	12.19 inches
Rotor Type	Drilled and Slotted
Assembly Required	Yes
Vehicle Service Type	Car, Truck, Van
UPC	889545010077

9. WARRANTY AND SUPPORT

For specific warranty information regarding your Wilwood Dynapro Brake Kit, please refer to the official warranty documentation provided with your purchase or visit the official Wilwood website. Wilwood provides technical support for their products.

If you require assistance with installation, troubleshooting, or have questions about your brake kit, please contact Wilwood customer service directly. Contact information can typically be found on their official website or in the

packaging materials.

Important: Unauthorized modifications or improper installation may void your product warranty.