



[Manuals.plus](#) /

> [Elkay](#) /

> Elkay D11719 Dayton 17" Drop In Single Basin Stainless Steel Kitchen Sink - Instruction Manual

Elkay D11719

Elkay D11719 Dayton 17" Drop In Single Basin Stainless Steel Kitchen Sink - Instruction Manual

Model: D117191

PRODUCT OVERVIEW

The Elkay Dayton D11719 single basin stainless steel kitchen sink is designed for drop-in installation, making it a focal point in your kitchen. This model features one faucet hole and is constructed from durable stainless steel, suitable for everyday use. It is part of the Dayton line, offering a complete range of stainless steel sinks, drains, and accessories. Key features include sound-deadening pads to minimize noise and vibration, and a U-channel installation system for easier setup. This product is proudly made in the USA and is ADA compliant when properly installed.

SETUP AND INSTALLATION

Proper installation is crucial for the optimal performance and longevity of your Elkay Dayton sink. This sink is designed for drop-in installation into your countertop.

Dimensions and Cabinet Requirements

The sink dimensions are 17 inches (depth) x 19 inches (width) x 6-3/16 inches (height). A minimum cabinet size of 21 inches is required for proper fitment.

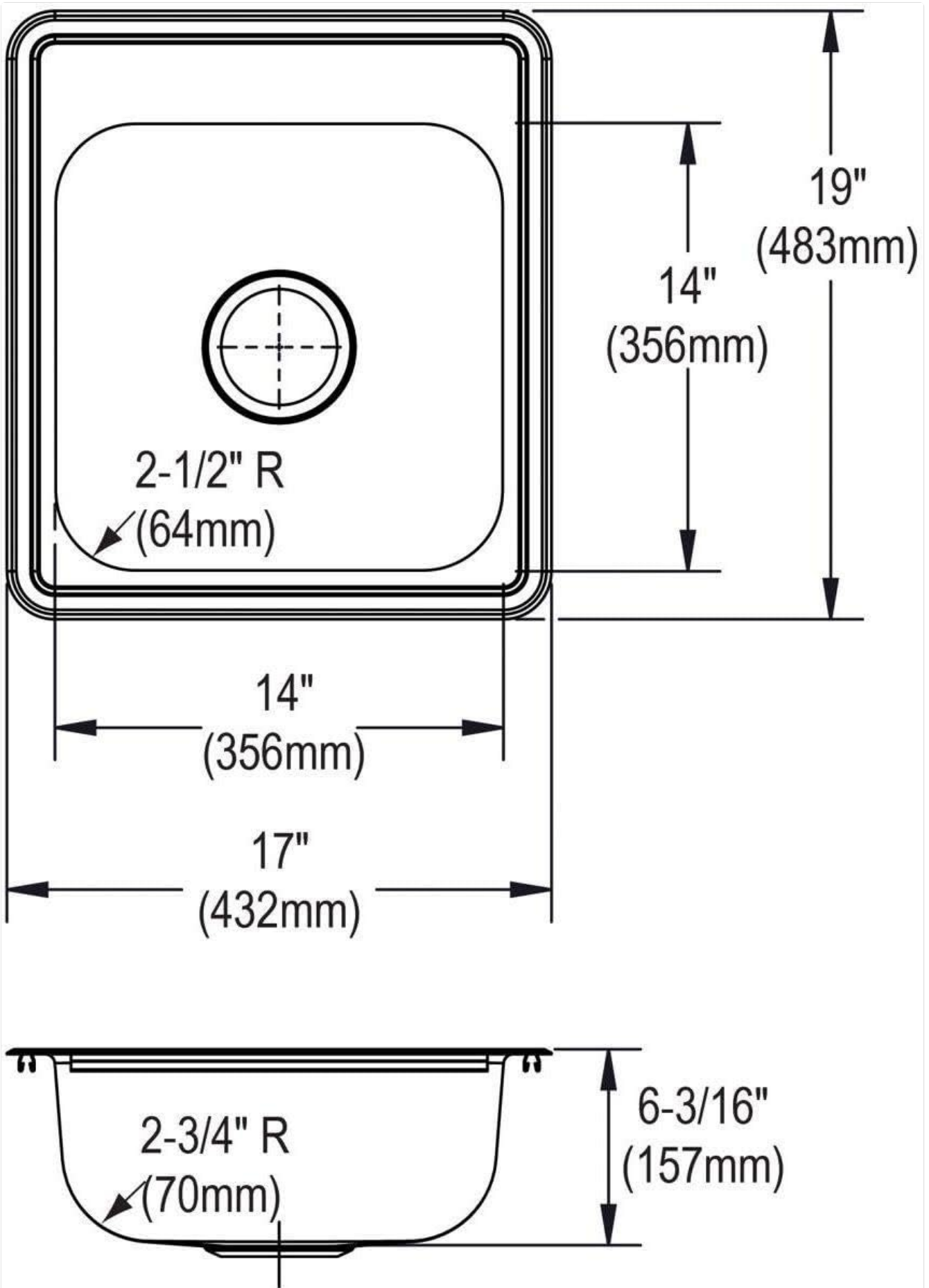


Figure 1: Detailed technical drawing illustrating the dimensions of the Elkay Dayton D11719 sink, including overall width, depth, and bowl depth, along with corner radii.

U-Channel Installation System

The U-channel installation system simplifies the mounting process. Mounting clips are placed inside the channel before dropping the sink into place. These clips can be slid into position and tightened as needed to close any gaps due to uneven counters.



Top Mount

Top mount sinks allow for easy, drop-in installation. The sink has a beautifully finished rim to make it a focal point of your kitchen.



Top Mount

DAYTON

Figure 2: Illustration of the U-channel installation system, showing how mounting clips are positioned within the channel for secure and flexible installation.

ADA Compliance

This product is ADA compliant when properly installed, ensuring accessibility for users with disabilities.



ADA Compliant

This product is ADA compliant when properly installed.

DAYTON

Figure 3: An image depicting a person in a wheelchair comfortably using a kitchen sink, highlighting the product's ADA compliance when installed correctly.

For detailed step-by-step installation instructions, please refer to the official Installation Manual available as a PDF document. A link to this manual can typically be found on the product's purchase page or the manufacturer's website.

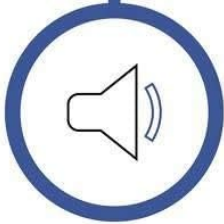
Note: Professional installation is recommended for best results and to ensure compliance with local plumbing codes.

OPERATING THE SINK

The Elkay Dayton sink is designed for straightforward use in your kitchen. Its primary function is to provide a basin for washing, rinsing, and food preparation.

Quiet Operation

The sink features sound-deadening pad(s) that minimize sound and vibration. This design contributes to a quieter kitchen environment during use, reducing noise from running water or dropped items.



Sound Stops at the Sink

Our sound-deadening pad(s) reduce sound and vibration for a more enjoyable time at the sink.



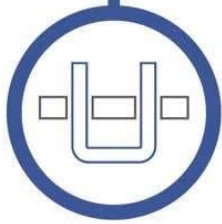
Quiet

DAYTON

Figure 4: A diagram explaining how sound-deadening pads are integrated into the sink's design to reduce noise and vibration during use.

Stainless Steel Durability

Constructed from 300 series stainless steel, the sink is designed for everyday use and offers resistance to corrosion and staining. The gauge of the stainless steel impacts its resistance to denting; a lower gauge number indicates thicker, more resistant steel.



A Quality Installation

The U-Channel system offers a flexible and quality installation. Mounting clips can be placed inside the channel before dropping the sink into place. The clips can be slid into position and tightened where needed to close any gaps due to uneven floors or counters.



U-Channel

DAYTON

Figure 5: An informational graphic illustrating the concept of stainless steel gauge, where a lower number signifies a thicker and more dent-resistant material.

MAINTENANCE AND CARE

To maintain the appearance and longevity of your stainless steel sink, follow these simple care instructions:

- **Daily Cleaning:** After each use, rinse the sink thoroughly with water to remove any food particles or residue.
- **Wipe Dry:** As per product care instructions, wipe the sink with a dry cloth after each use to prevent water spots and mineral buildup, especially in hard water areas.
- **Avoid Abrasives:** Do not use abrasive cleaners, steel wool, or scouring pads, as these can scratch the stainless steel surface.
- **Gentle Cleaners:** For deeper cleaning, use a mild dish soap and a soft cloth or sponge. Rinse thoroughly and dry.
- **Prevent Stains:** Avoid leaving acidic foods (like citrus fruits or tomatoes) or harsh chemicals in the sink for extended periods, as they can cause discoloration.

TROUBLESHOOTING

While the Elkay Dayton sink is designed for durability, occasional issues may arise. Here are some common concerns and general troubleshooting tips:

- **Water Spots/Mineral Buildup:** If water spots or mineral deposits appear, they are often caused by hard water. Regularly wiping the sink dry after use is the best prevention. For existing spots, use a solution of vinegar and water, then rinse and dry.
- **Scratches:** Stainless steel can scratch. Minor scratches will often blend into the sink's finish over time. To minimize the appearance of new scratches, avoid dragging heavy or sharp objects across the sink surface.
- **Drain Clogs:** If your sink drain is slow or clogged, first try removing any visible debris from the drain opening. For deeper clogs, a plunger or a mixture of baking soda and vinegar followed by hot water can often clear minor blockages. Avoid harsh chemical drain cleaners as they can damage plumbing.
- **Dull Finish:** If the sink appears dull, ensure it is thoroughly cleaned and dried. A stainless steel polish can be used periodically to restore its luster, following the product's instructions.

If you encounter persistent issues not covered here, or if you suspect a manufacturing defect, please contact Elkay customer support.

SPECIFICATIONS

Feature	Detail
Brand	Elkay
Model Number	D117191
Product Dimensions (D x W x H)	17"D x 19"W x 6"H
Size	17 x 19 inches
Material	Stainless Steel
Color	Stainless
Style	Dayton
Installation Type	Drop In
Finish Type	Stainless
Shape	Rectangular
Drain Type	Pop-Up
Item Weight	5.5 Pounds
Hole Count	1 Faucet Hole
Minimum Cabinet Size	21 inches
ADA Compliant	Yes (when properly installed)

Feature	Detail
Made In	USA

WARRANTY AND SUPPORT

Elkay products are known for their quality and are backed by customer service. While specific warranty details are not provided in this manual, Elkay typically offers a limited lifetime warranty on their stainless steel sinks against defects in material and workmanship under normal use.

For detailed warranty information, product registration, or technical support, please visit the official Elkay website or contact their customer service department directly. You can also refer to the full Installation Manual (PDF) for additional information.

Elkay Official Website: www.elkay.com

Installation Manual (PDF): [Download Manual](#)