



[Manuals.plus](#) /

› [Walimex Pro](#) /

› Walimex Pro FT-8051 Light Stand Instruction Manual

Walimex Pro FT-8051

Walimex Pro FT-8051 Light Stand Instruction Manual

Model: FT-8051 | Brand: Walimex Pro

INTRODUCTION

The Walimex Pro FT-8051 Lamp Tripod is a versatile and portable light stand designed for photography and video applications. Constructed from durable aluminum, it offers a stable platform for studio flashguns, LED lights, softboxes, and reflectors weighing up to 4kg. Its spring damping system enhances safety during height adjustments, and the standard 5/8 inch spigot with 1/4 inch thread ensures broad compatibility with various lighting equipment.

This manual provides detailed instructions for the setup, operation, maintenance, and troubleshooting of your FT-8051 light stand, ensuring optimal performance and longevity.



Image: The Walimex Pro FT-8051 light stand, shown collapsed next to its included carrying bag and a 1/4 to 3/8 inch adapter.

SETUP

1. **Unpacking:** Carefully remove the light stand, carrying bag, and 1/4 to 3/8 inch adapter from the packaging. Inspect all components for any signs of damage.
2. **Extending the Legs:** Place the stand on a flat, stable surface. Loosen the leg locking knob located near the base of the center column. Gently spread the legs outwards until they are fully extended and form a wide, stable footprint. Ensure the locking knob is tightened securely to prevent accidental collapse.
3. **Adjusting Height:** The stand features multiple telescopic sections. To extend a section, loosen the corresponding locking collar, pull the section upwards to the desired height, and then firmly tighten the collar. The spring damping system will provide resistance, ensuring a controlled descent when lowering sections. Always extend the thickest

sections first for maximum stability.

4. **Attaching Equipment:** The top of the stand features a 5/8 inch spigot with a 1/4 inch thread. Most studio lights and accessories can be mounted directly onto this spigot. If your equipment requires a 3/8 inch thread, use the included 1/4 to 3/8 inch adapter by screwing it onto the 1/4 inch thread. Ensure your equipment is securely fastened before releasing your grip.

PRODUKTDDETAILS

walimex^{pro}

SUPER PREIS-LEISTUNGS-VERHÄLTNIS



Universeller Stativ-Anschluss

5/8 Zoll Spigot, 1/4 Zoll Gewinde & 1/4 auf 3/8 Zoll Adapter



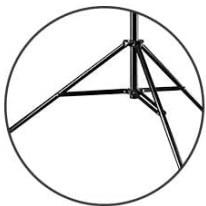
Große & komfortable Verschlusshebel

Einfache Bedienung & sichere Verriegelung durch solide Verschlussklemmen



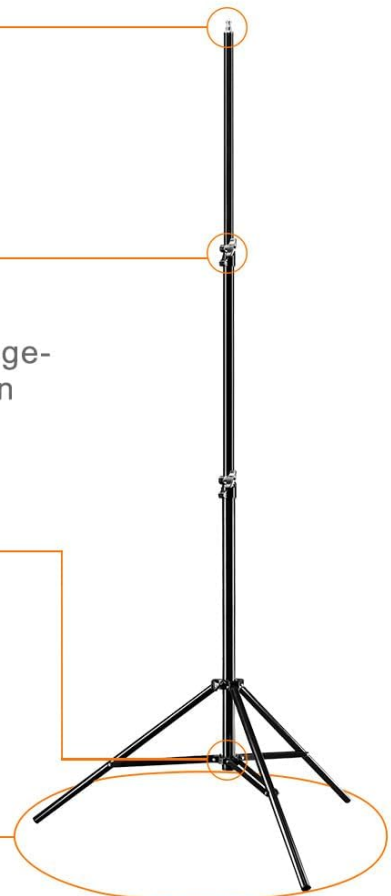
Komfort durch Federdämpfung

Viel Sicherheit und Komfort durch Stoßdämpfer in jeder Sektion



Hohe Standfestigkeit

Leicht aber sehr stabil durch große Standfläche Ø 106cm



UNTERNEHMEN AUS DEUTSCHLAND

Image: Detailed view of the stand's features, including the universal spigot connection, large locking levers, spring damping mechanism, and wide footprint for stability.

OPERATING INSTRUCTIONS

- **Load Capacity:** The FT-8051 light stand is designed to support equipment up to 4 kg (approximately 8.8 lbs). Do not exceed this weight limit to ensure stability and prevent damage to the stand or attached equipment.
- **Height Adjustment:** The stand can be adjusted from a minimum height of approximately 90 cm (35.4 inches) to a maximum height of 260 cm (102.36 inches). Always ensure all locking collars are fully tightened after adjusting the height.

- **Stability:** For optimal stability, always ensure the legs are fully extended to their maximum footprint (106 cm diameter). When using heavy equipment or in windy conditions, consider using sandbags or other weights on the legs to further enhance stability.
- **Versatile Application:** This light stand is suitable for various environments, including photo studios, stages, outdoor shoots, and home setups. It can be used with a wide range of accessories such as ring lights, continuous lights, studio flashes, and panel lights.



Image: Multiple Walimex Pro light stands in a studio environment, demonstrating their use with different types of lighting equipment like LED panels, studio strobes, and umbrellas.

MAINTENANCE

- **Cleaning:** Wipe down the aluminum surfaces with a soft, dry cloth. For stubborn dirt, a slightly damp cloth can be used, followed by immediate drying. Avoid abrasive cleaners or solvents that could damage the finish.
- **Lubrication:** Periodically check the telescopic sections and locking mechanisms. If movement becomes stiff, apply a small amount of silicone-based lubricant to the sliding surfaces. Do not use oil-based lubricants as they can attract

dust and dirt.

- **Storage:** When not in use, collapse the stand to its minimum height and fold the legs. Store it in the included carrying bag to protect it from dust, dirt, and scratches. Store in a dry environment.
- **Inspection:** Regularly inspect the stand for any signs of wear, loose screws, or damage to the legs, center column, or locking mechanisms. Address any issues promptly to ensure safe operation.

TROUBLESHOOTING

Problem	Possible Cause	Solution
Stand is unstable.	Legs not fully extended; locking knob loose; uneven surface; overloaded.	Ensure legs are fully spread and leg locking knob is tight. Place on a level surface. Do not exceed 4kg load capacity. Consider using sandbags.
Telescopic sections are stiff or difficult to extend/retract.	Accumulation of dirt/dust; lack of lubrication.	Clean sections with a soft cloth. Apply a small amount of silicone-based lubricant to the sliding surfaces.
Equipment wobbles on top of the spigot.	Equipment not securely tightened; spigot connection worn.	Ensure the equipment's mounting screw is fully tightened onto the spigot. If the spigot is worn, contact Walimex Pro support.
Spring damping feels weak or non-functional.	Internal spring mechanism issue.	This is an internal component. If the issue persists, contact Walimex Pro customer support for assistance.

SPECIFICATIONS

- **Model Name:** FT-8051
- **Item Model Number:** 14776
- **Material:** Aluminum
- **Color:** Black
- **Maximum Height:** Approximately 260 cm (102.36 inches)
- **Minimum Height:** Approximately 90 cm (35.4 inches)
- **Folded Length (Packmaß):** Approximately 89 cm (35 inches)
- **Maximum Load Capacity:** 4 kg (8.8 lbs)
- **Item Weight:** 1.66 kg (3.65 lbs)
- **Footprint Diameter (Max):** Approximately 106 cm (41.7 inches)
- **Tube Diameter:** 30-25-21 mm
- **Connection:** 5/8 inch spigot with 1/4 inch thread (includes 1/4 to 3/8 inch adapter)
- **Special Feature:** Spring Damping for controlled lowering of sections.



Andere Marken

Walimex pro

Größerer Radius & höhere Standfestigkeit



Eigengewicht



Traglast



89 cm
Packmaß



90 cm
min. Höhe

max.
Ø 106 cm



260 cm
max. Höhe

Image: Visual representation of the stand's key dimensions including maximum height, minimum height, folded length, and maximum footprint diameter, along with its weight and load capacity.

WARRANTY AND SUPPORT

For warranty information, technical support, or service inquiries regarding your Walimex Pro FT-8051 light stand, please refer to the warranty card included with your purchase or visit the official Walimex Pro website. Keep your proof of purchase for warranty claims.

What's in the Box:

- 1x Walimex Pro FT-8051 Lamp Tripod, 260cm
- 1x 1/4 to 3/8 inch Adapter
- 1x Convenient Carrying Bag



1x STATIV



1x TASCHE



**1x 3/8 ZOLL
ADAPTER**

Image: The complete set of items included with the Walimex Pro FT-8051 light stand: the stand itself, a protective carrying bag, and a 1/4 to 3/8 inch adapter for broader compatibility.