



Manuals.plus /

- › **Broan-NuTone** /
- › Broan-NuTone 9093WH Exhaust Fan, Heater, and Light Combo User Manual

Broan-NuTone 9093WH

Broan-NuTone 9093WH Exhaust Fan, Heater, and Light Combo

User Instruction Manual

Model: 9093WH | Brand: Broan-NuTone

1. PRODUCT OVERVIEW

The Broan-NuTone 9093WH is a versatile bathroom ceiling unit combining an exhaust fan, a heater, and a light. Designed for bathrooms up to 65 sq. ft., it provides ventilation, warmth, and illumination. This unit features a 1500-watt heating element, a 70 CFM ventilation fan, a 100-watt incandescent light (bulb sold separately), and a 7-watt nightlight (bulb sold separately). A four-function wall switch is included for convenient control of all features.



Figure 1: The Broan-NuTone 9093WH Exhaust Fan, Heater, and Light Combo unit, featuring a white grille and central light fixture.

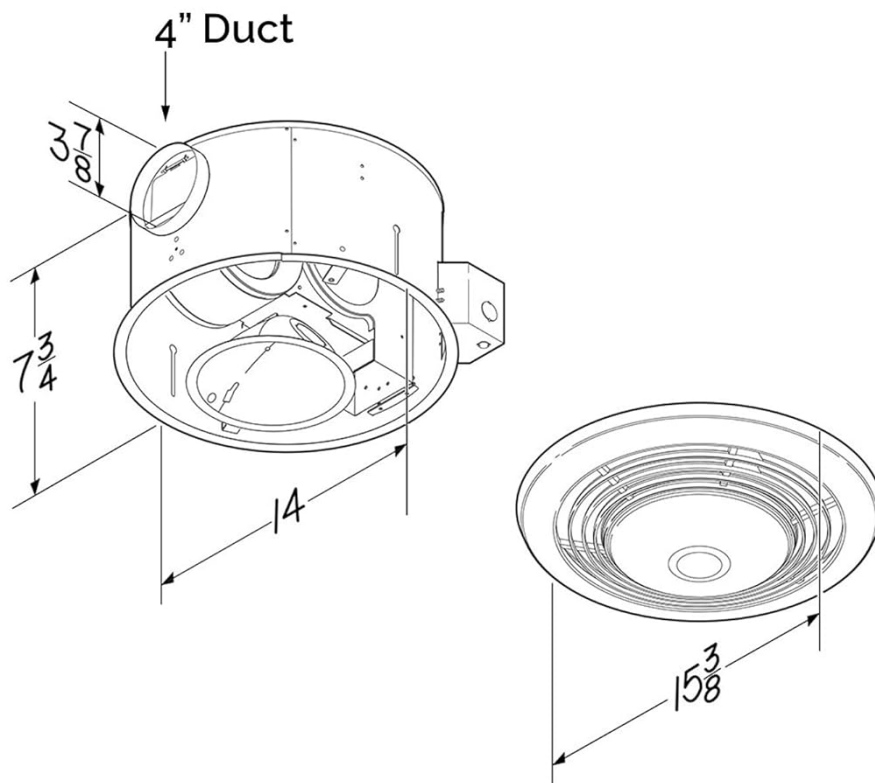
Key Features:

- **Bathroom Combo:** Exhaust fan with heater and light, suitable for rooms up to 65 sq. ft.
- **Easy Control:** Includes a four-function wall switch for comprehensive control.
- **Efficient Performance:** 1500W heating element and 70 CFM ventilation fan for optimal air movement and warmth.
- **Lighting Options:** Bright 100-Watt incandescent lighting and a soft 7-Watt nightlight for versatile illumination.
- **Aesthetic Design:** White enamel grille designed to blend with various bathroom decors.

2. SETUP AND INSTALLATION

Installation of the Broan-NuTone 9093WH unit requires electrical wiring and proper ducting. It is recommended to consult a qualified electrician for installation if you are not familiar with electrical work. The unit is designed for ceiling mount installation.

SPECIFICATIONS



BROAN
NuTone
COME HOME TO FRESH AIR

*Size of ceiling opening will be slightly larger than unit's housing: See manual for specific instructions

Figure 2: Technical diagram illustrating the dimensions of the Broan-NuTone 9093WH unit, including the 4-inch duct connection. Note that the ceiling opening size should be slightly larger than the unit's housing.

For detailed installation instructions, including wiring diagrams and mounting procedures, please refer to the official Installation Manual. A digital version of the manual can be accessed via the following link:

[Download Installation Manual \(PDF\)](#)

Ensure all local electrical and building codes are followed during installation. The housing dimensions are 13-1/4 x 13-1/4 x 7-1/2 inches.

3. OPERATING INSTRUCTIONS

The Broan-NuTone 9093WH unit is controlled by the included four-function wall switch. This switch allows independent operation of the fan, main light, heater, and nightlight functions.

LIGHT & HEATER

Bright Incandescent Light and Heat Combined



Figure 3: A detailed view of the unit's light and heater components. The main light supports up to a 100-watt bulb, and a 7-watt nightlight provides a soft glow (bulbs sold separately).

Using the Wall Switch:

- **Ventilation Fan:** Use the "VENT" switch to turn the exhaust fan on or off. The fan helps remove moisture and odors from the bathroom.
- **Main Light:** Use the "LIGHT" switch to control the main incandescent light. This provides bright illumination for the bathroom.
- **Heater:** The "HEAT" function is typically controlled by a timer on the wall switch, allowing you to set the duration for heating (e.g., 1, 5, 10, 15, 20, or 30 minutes). Activate the heater for quick warmth in the bathroom.
- **Nightlight:** The "NIGHT LIGHT" switch activates the low-wattage nightlight, providing a soft glow for nighttime use without full illumination.

HEATER, FAN & LIGHT COMBO

Powerful Enough to Heat, Light and Ventilate
Rooms Up To 100 sq. ft.



Figure 4: The Broan-NuTone 9093WH unit seamlessly integrated into a bathroom ceiling, demonstrating its function as a heater, fan, and light combo.

4. MAINTENANCE

Regular maintenance ensures the longevity and optimal performance of your Broan-NuTone 9093WH unit. Dust and lint can accumulate on internal components, affecting efficiency and potentially increasing noise levels.

Recommended Maintenance:

- **Regular Cleaning:** Periodically remove the grille and vacuum any accumulated dust and lint from the fan and heater components. This should be done a few times a year, or more frequently depending on usage and household dust levels.
- **Bulb Replacement:** Replace light bulbs as needed. Ensure the unit is powered off before replacing bulbs. The main light supports up to a 100-watt incandescent bulb, and the nightlight uses a 7-watt bulb.
- **Professional Inspection:** Consider a professional inspection every few years to ensure all electrical

connections and mechanical parts are in good working order.

Proper maintenance helps prevent issues such as increased noise and reduced airflow, ensuring your unit continues to function effectively.

5. TROUBLESHOOTING

If you encounter issues with your Broan-NuTone 9093WH unit, review the following common troubleshooting steps. For more complex problems, refer to the detailed installation manual or contact customer support.

Problem	Possible Cause	Solution
Unit does not operate (no fan, heat, or light)	No power, tripped circuit breaker, loose wiring.	Check circuit breaker. Ensure unit is properly wired and receiving power.
Fan is noisy or vibrates excessively	Accumulated dust/lint on fan blades, loose mounting, worn motor bearings.	Clean fan blades and housing. Check mounting screws for tightness. If noise persists, motor may need replacement.
Heater not producing heat	Heating element failure, thermal protection tripped, incorrect wiring.	Ensure heater timer is set correctly. Check for tripped thermal protection (automatic reset). Verify wiring connections.
Light not working	Burned out bulb, loose bulb, wiring issue.	Replace bulb. Ensure bulb is screwed in tightly. Check light wiring.

Always disconnect power to the unit at the circuit breaker before attempting any inspection or repair.

6. SPECIFICATIONS

Detailed technical specifications for the Broan-NuTone 9093WH Exhaust Fan, Heater, and Light Combo:

Brand:	Broan-NuTone
Model Number:	9093WH
Power:	1500 Watts
Air Flow Capacity:	70 Cubic Feet Per Minute (CFM)
Voltage:	120 Volts
Amperage:	12.5 Amps
Heating Coverage:	Up to 65 sq. ft.
Product Dimensions:	1"D x 4"W x 13"H (Note: Housing Dimensions: 13-1/4 x 13-1/4 x 7-1/2 inches)
Item Weight:	17 pounds
Material:	Metal, Plastic
Color:	White Painted Enamel

Mounting Type:	Ceiling Mount
Type of Bulb (Main):	Incandescent (up to 100W, sold separately)
Type of Bulb (Nightlight):	7-watt (sold separately)
Certification:	UL
Included Components:	Heater, Vent, Light Fan, Four-function wall switch
UPC:	700811772775, 784891321948

7. WARRANTY AND SUPPORT

Broan-NuTone products are manufactured to high-quality standards. For specific warranty information regarding your 9093WH unit, please refer to the documentation included with your purchase or visit the official Broan-NuTone website. Keep your proof of purchase for warranty claims.

If you require technical assistance, replacement parts, or have questions not covered in this manual, please contact Broan-NuTone customer support. Contact information can typically be found on the manufacturer's website or in the product packaging.

[Visit the Broan-NuTone Store on Amazon](#)