

[Manuals.plus](#) /

> [GROHE](#) /

> GROHE Minta 32918000 Single-Handle Kitchen Faucet Instruction Manual

## GROHE 32918000

# GROHE Minta 32918000 Single-Handle Kitchen Faucet Instruction Manual

Model: 32918000

## INTRODUCTION

This manual provides detailed instructions for the installation, operation, and maintenance of your GROHE Minta 32918000 Single-Handle Kitchen Faucet. Please read these instructions carefully before beginning installation or use to ensure proper function and longevity of the product. Retain this manual for future reference.

## PRODUCT OVERVIEW

The GROHE Minta 32918000 is a modern single-handle kitchen faucet designed for deck mounting. It features a slender swivel C-spout and a convenient pull-out rinsing spray, finished with GROHE Starlight Chrome for durability and aesthetic appeal.



Image 1: Front view of the GROHE Minta 32918000 Single-Handle Kitchen Faucet with its C-spout design and chrome finish.

## SETUP AND INSTALLATION

### 1. Unpacking and Component Check

Carefully unpack all components and verify that all parts are present before beginning installation. Refer to the component diagram below.



Image 2: Exploded view of the GROHE Minta 32918000 faucet components, including the main body, hoses, mounting hardware, and seals.

## 2. Required Tools (Not Included)

- Adjustable wrench
- Phillips head screwdriver
- Plumber's putty or silicone sealant
- Flashlight
- Bucket and towels

## 3. Pre-Installation Steps

1. Turn off the main water supply to the kitchen sink.
2. Clear the area under the sink for access.

3. Remove any existing faucet if applicable.

#### **4. Faucet Installation**

1. Insert the faucet body into the single mounting hole on the sink or countertop. Ensure the base gasket is properly seated.
2. From underneath the sink, secure the faucet using the provided mounting hardware (washer, nut). Tighten firmly but do not overtighten.
3. Connect the hot and cold water supply lines to the corresponding valves. Ensure a watertight seal.
4. Connect the pull-out spray hose to the main faucet body and attach the counterweight to the hose as per the diagram.
5. Verify all connections are secure.

#### **5. Post-Installation**

1. Slowly turn on the main water supply.
2. Check for any leaks at all connection points. Tighten if necessary.
3. Operate the faucet handle and pull-out spray to flush the lines and check for proper function.

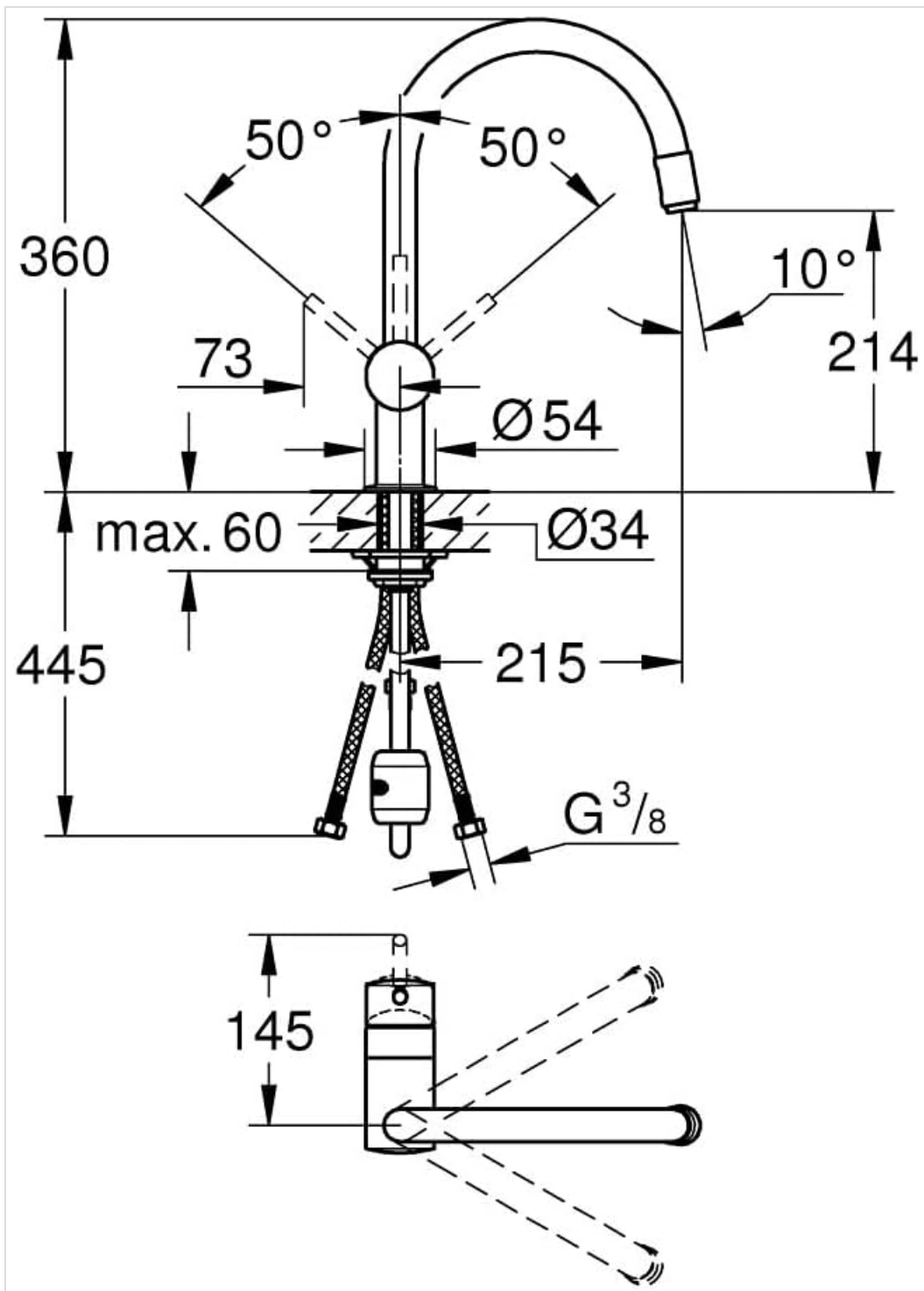


Image 3: Technical drawing illustrating the dimensions and installation requirements for the GROHE Minta 32918000 faucet, including spout reach, height, and mounting hole diameter.

## OPERATING INSTRUCTIONS

The GROHE Minta 32918000 faucet features a single lever handle for controlling both water flow and temperature, and a pull-out spray for enhanced functionality.

- **Water Flow Control:** Lift the single lever handle to increase water flow. Push down to decrease and turn off.
- **Temperature Control:** Move the lever handle to the left for hot water and to the right for cold water.
- **Swivel Spout:** The C-spout can swivel to provide flexibility for various sink tasks.
- **Pull-Out Spray:** Gently pull the spray head from the spout to extend the hose. Press the button on the spray head (if applicable) to switch between spray patterns. After use, guide the spray head back into the spout. The counterweight assists in retraction.





Image 4: The GROHE Minta 32918000 faucet installed in a modern kitchen, demonstrating its aesthetic integration and functional design.

## MAINTENANCE

Regular cleaning and maintenance will ensure the longevity and optimal performance of your GROHE Minta faucet.

- **Cleaning the Finish:** Clean the GROHE Starlight Chrome finish with a soft cloth and a mild, non-abrasive cleaner. Avoid using harsh chemicals, abrasive sponges, or cleaners containing alcohol, ammonia, or bleach, as these can damage the finish.
- **Aerator Maintenance:** Periodically unscrew the aerator from the spout tip and clean any mineral deposits or debris. This helps maintain consistent water flow.
- **Hose Inspection:** Regularly inspect the pull-out spray hose for any signs of wear or leaks.
- **Cartridge:** If the faucet experiences persistent drips or difficulty controlling temperature/flow, the ceramic cartridge may need servicing or replacement. This typically requires professional assistance.

## TROUBLESHOOTING

Problem	Possible Cause	Solution
Low Water Flow	Clogged aerator; partially closed shut-off valves; debris in supply lines.	Clean aerator; ensure shut-off valves are fully open; flush supply lines.
Leaking at Spout	Worn cartridge; mineral deposits.	Contact a qualified plumber for cartridge inspection/replacement.
Leaking at Base	Loose mounting nut; improper seal.	Tighten mounting nut; re-seat faucet with plumber's putty or silicone if necessary.
Difficulty with Temperature Control	Faulty cartridge.	Contact a qualified plumber for cartridge inspection/replacement.

If troubleshooting steps do not resolve the issue, it is recommended to contact a qualified plumber or GROHE customer support.

## SPECIFICATIONS

Feature	Detail
Brand	GROHE
Model Name	Minta 32918000

Feature	Detail
Mounting Type	Deck Mount
Installation Type	Single Hole
Finish Type	Chrome (GROHE Starlight Chrome)
Color	Chrome
Number of Handles	1
Hole Count	1
Style	Modern
Spout Design	Swivel C-Spout with Pull-Out Spray
Handle Material	Metal
Item Weight	5.76 pounds (2.61 kg)
Product Dimensions	21.97 x 7.6 x 3.43 inches (55.8 x 19.3 x 8.7 cm)
Recommended Uses	Kitchen

## WARRANTY INFORMATION

GROHE products are manufactured to the highest quality standards and are backed by a manufacturer's warranty. For specific warranty terms and conditions applicable to your GROHE Minta 32918000 faucet, please refer to the warranty card included with your purchase or visit the official GROHE website. Keep your proof of purchase for warranty claims.

## CUSTOMER SUPPORT

For further assistance, technical support, or to inquire about replacement parts, please visit the official GROHE website or contact their customer service department. Contact information can typically be found on the manufacturer's website or on the packaging materials.

You can visit the GROHE Store on Amazon for more product information:[GROHE Store](#)

