



[Manuals.plus](#) /

> [Prepac](#) /

> [Prepac Twin Bookcase Headboard \(Model ESH-4543\) Instruction Manual](#)

Prepac ESH-4543

Prepac Twin Bookcase Headboard (Model ESH-4543) Instruction Manual

Brand: Prepac | Model: ESH-4543

1. SAFETY INFORMATION

Always ensure to assemble and install this product following the steps and safety measures outlined in the assembly instructions. Your safety is important. This product includes restraints to prevent tipping. Continuous exposure to liquids or high humidity may cause damage to the product.

2. PRODUCT OVERVIEW

The Prepac Twin Bookcase Headboard in Espresso provides valuable storage space, ideal for smaller bedrooms. Its design incorporates two compartments, offering ample room for bedside necessities. This free-standing headboard is designed to be paired with any twin bed, including Prepac's Twin Mate's Platform Storage Bed.

Key Features:

- Suitable for twin-sized beds
- Two storage compartments
- Finished in durable rich espresso laminate
- Constructed from CARB-compliant, laminated composite woods and a sturdy MDF backer
- Ships Ready to Assemble, includes an instruction booklet for easy assembly



Image 1: The Prepac Twin Bookcase Headboard in Espresso, showcasing its design and storage compartments.

3. SPECIFICATIONS

Attribute	Value
Size	Twin
Brand	Prepac
Style	Bookcase Headboard
Special Feature	Durable
Mounting Type	Bed Frame Mount
Product Dimensions	44.75"W x 43"H
Included Components	Storage
Color	Espresso
Item Weight	49 pounds
Item Model Number	ESH-4543

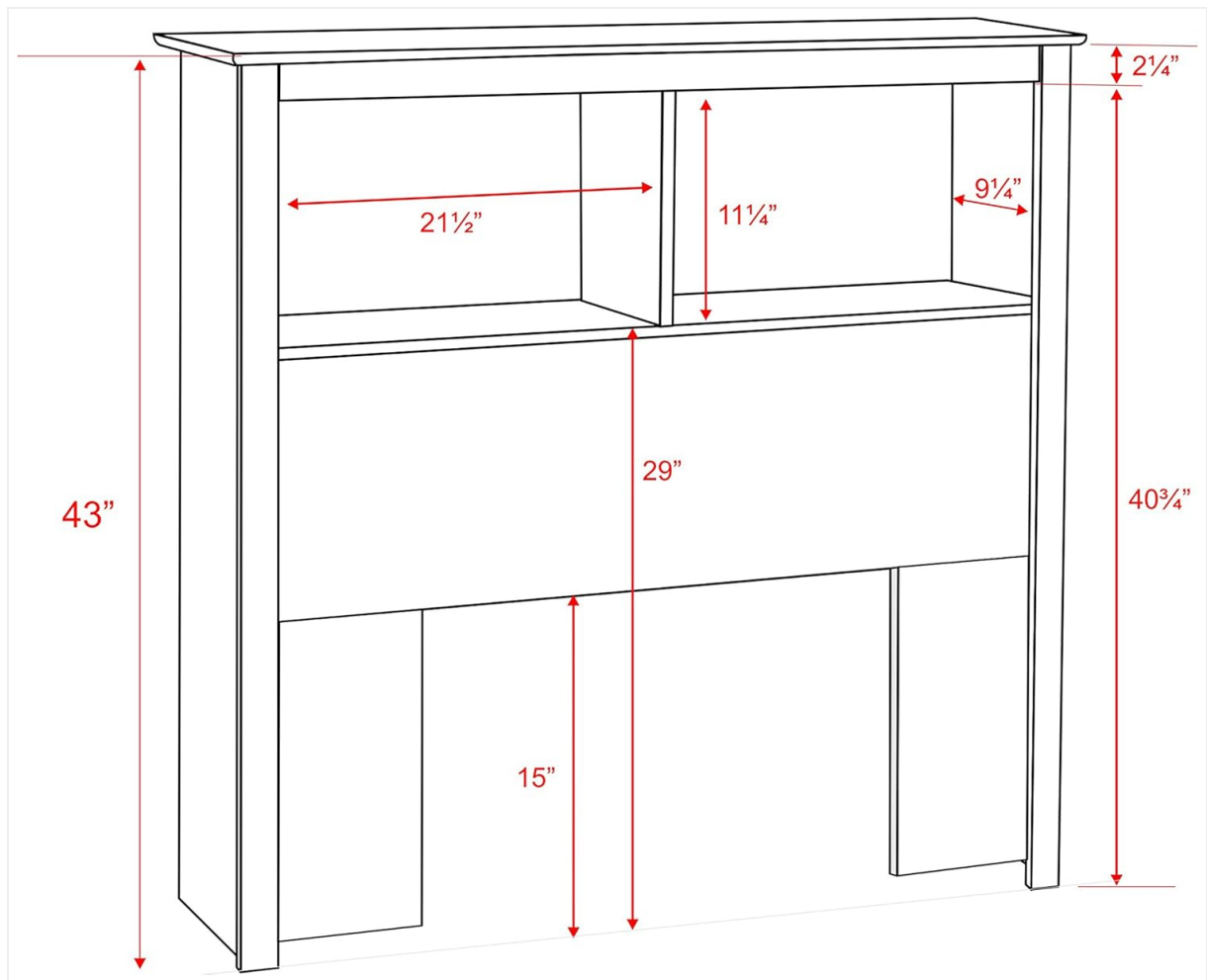


Image 2: Detailed dimensions of the Prepac Twin Bookcase Headboard.

4. ASSEMBLY INSTRUCTIONS

The Prepac Twin Bookcase Headboard ships ready to assemble and includes a comprehensive instruction booklet. Assembly typically requires a screwdriver and a hammer. While one person can assemble it, having two people may simplify the process due to the weight and size of the components.

1. **Unpack Components:** Carefully remove all pieces from the packaging. Verify that all hardware and panels are present by comparing them against the parts list in the instruction booklet.
2. **Identify Parts:** Although pieces may not be explicitly labeled, the instruction booklet provides clear diagrams for identifying each component and its corresponding hardware.
3. **Follow Step-by-Step Diagrams:** The instructions guide you through attaching panels using screws and dowels. Pay close attention to the orientation of each piece, ensuring finished sides face outward as intended.
4. **Secure Connections:** Use a screwdriver to firmly tighten all screws. For dowels, a hammer may be needed to gently tap them into place.
5. **Final Assembly:** Once the main structure is complete, attach any decorative molding or backing panels as specified.

It is crucial to read the instructions thoroughly before beginning assembly to ensure correct placement of all parts and hardware. If you have experience with ready-to-assemble furniture, the process will be familiar.



Image 3: The assembled Prepac Twin Bookcase Headboard, ready for placement.

5. USAGE

This bookcase headboard is designed to provide convenient storage directly behind your twin bed. The two compartments can hold various items such as books, alarm clocks, decorative items, or personal electronics. The top surface also offers additional space for lamps or other bedside essentials.



Image 4: The Prepac Twin Bookcase Headboard integrated into a bedroom, demonstrating its functional use.

6. MAINTENANCE

To maintain the appearance and longevity of your Prepac Twin Bookcase Headboard, wipe it with a dry cloth regularly. Avoid using harsh chemicals or abrasive cleaners, which can damage the espresso laminate finish. Protect the surface from excessive moisture and direct heat.

7. TROUBLESHOOTING

Common Issues and Solutions:

- **Assembly Difficulty:** If you encounter difficulty during assembly, re-read the instructions carefully, paying close attention to diagrams and part identification. Ensure all screws and dowels are correctly aligned before applying force.
- **Gap Between Headboard and Mattress:** This headboard is free-standing. If a gap occurs, consider using a foam insert or securing the headboard to the wall using appropriate wall anchors (not included) to prevent movement and pillow slippage.
- **Wobbling Due to Baseboards:** If baseboards prevent the headboard from sitting flush against the wall, felt pads can be used to create a slight gap and stabilize the unit. For increased stability, consider attaching the headboard to the wall using anti-topple brackets.
- **Damaged Parts:** If any parts are damaged upon arrival or during assembly, refer to the warranty information for

replacement procedures.

8. WARRANTY & SUPPORT

PREPAC Manufacturing Ltd. provides a limited 5-year consumer warranty against product defects. This warranty covers parts and ensures the product is free from manufacturing defects under normal use. For warranty claims, replacement parts, or further support, please contact Prepac customer service. Keep your proof of purchase for warranty validation.