

## PRIME-LINE E 2103

# Prime-Line E 2103 Cylinder Lock Instruction Manual

Model: E 2103

## PRODUCT OVERVIEW

The Prime-Line E 2103 Cylinder Lock is a 1-1/4 inch brass cylinder lock designed for use in surface-mounted sliding patio door handle sets. It features Schlage-shaped keys and a hardened cut-away tailpiece. This lock is intended as a replacement part to enhance the security and functionality of your patio door.

## KEY FEATURES

- Designed for patio door handles and door deadbolt replacements.
- Features a 5-pin tumbler lock mechanism.
- Constructed with a solid brass housing and a 5/8 inch chrome face.
- Includes Schlage-shaped keys.
- Cylinder length of 1-1/4 inch with a hardened break-away 1-7/8 inch tailpiece, which may require trimming for proper fit.
- Works with vertical and 45-degree keyways (angle determined when latch is extended to the locked position).

## PACKAGE CONTENTS

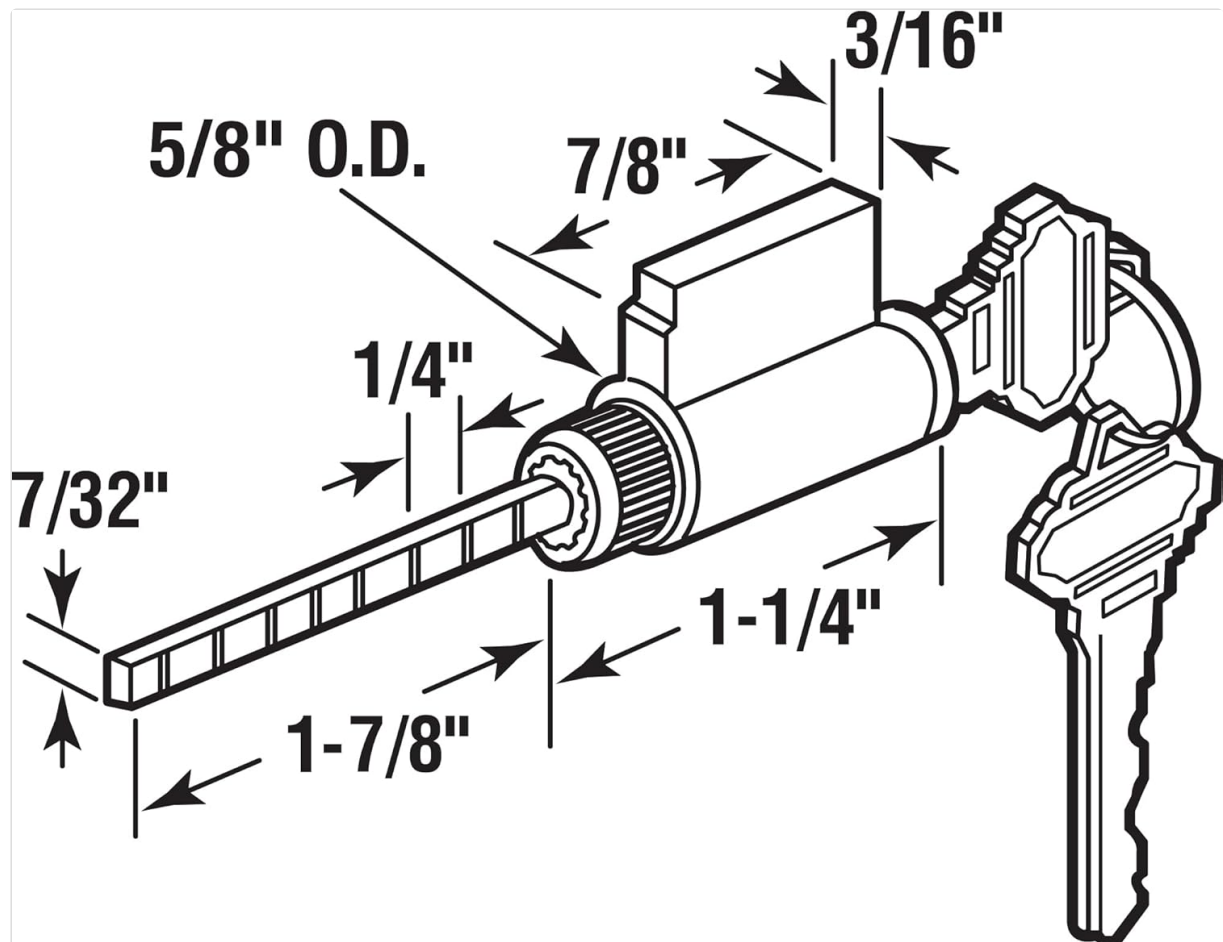
- 1 x Prime-Line E 2103 Cylinder Lock
- 2 x Schlage-shaped keys

## IMPORTANT SAFETY INFORMATION

**WARNING:** This product may expose you to chemicals known to the State of California to cause cancer and reproductive harm. For more information, visit [www.P65Warnings.ca.gov](http://www.P65Warnings.ca.gov).

## DIMENSIONS

Refer to the diagram below for detailed measurements to ensure compatibility with your door hardware.



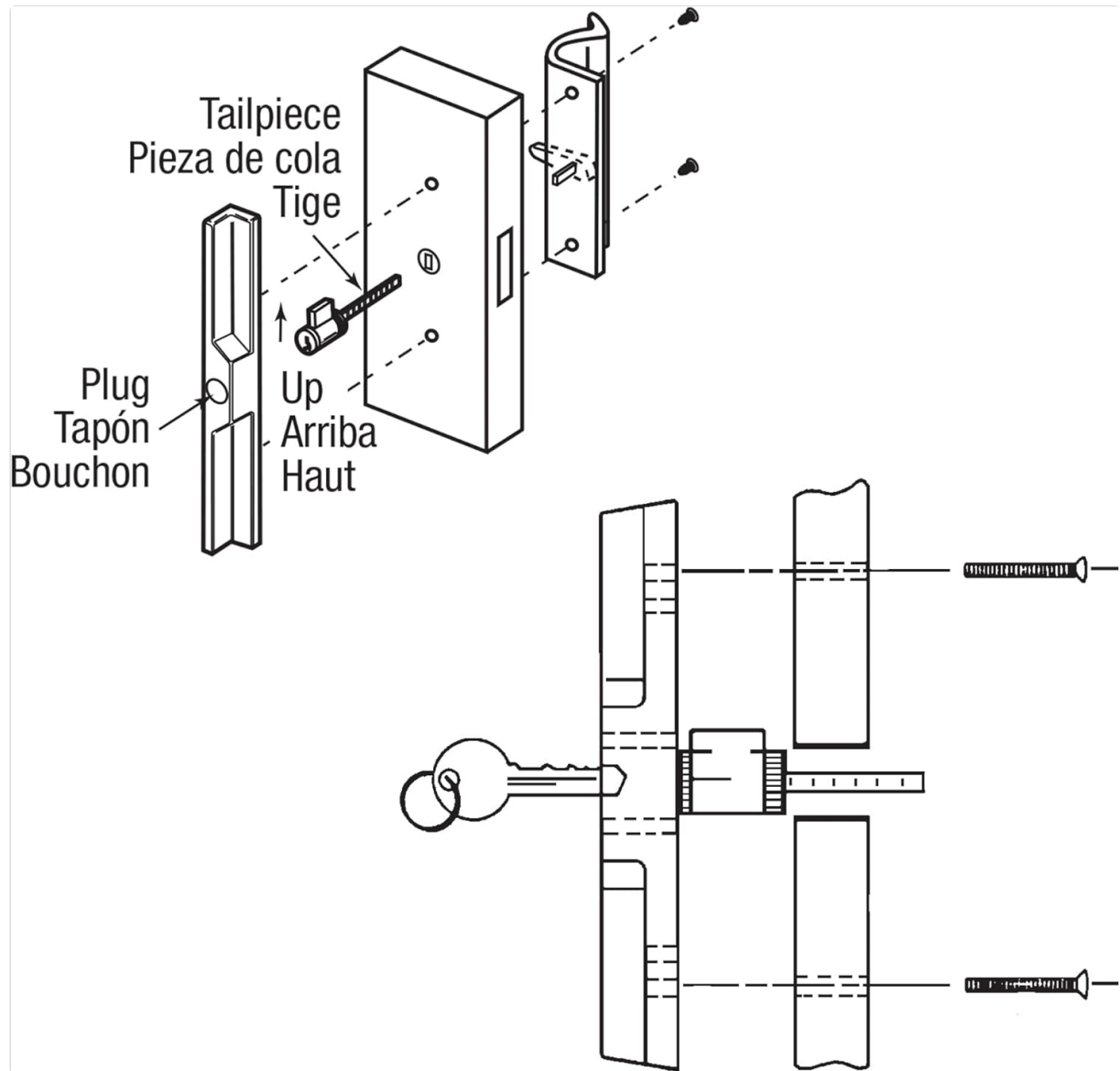
**Image:** Detailed diagram showing the dimensions of the Prime-Line E 2103 Cylinder Lock, including overall length, tailpiece length, and diameter.

- **Overall Dimensions (L x W x H):** 3.42 x 0.62 x 1.06 inches
- **Cylinder Length:** 1-1/4 inches
- **Tailpiece Length:** 1-7/8 inches (may need trimming)
- **Cylinder Outer Diameter (O.D.):** 5/8 inches

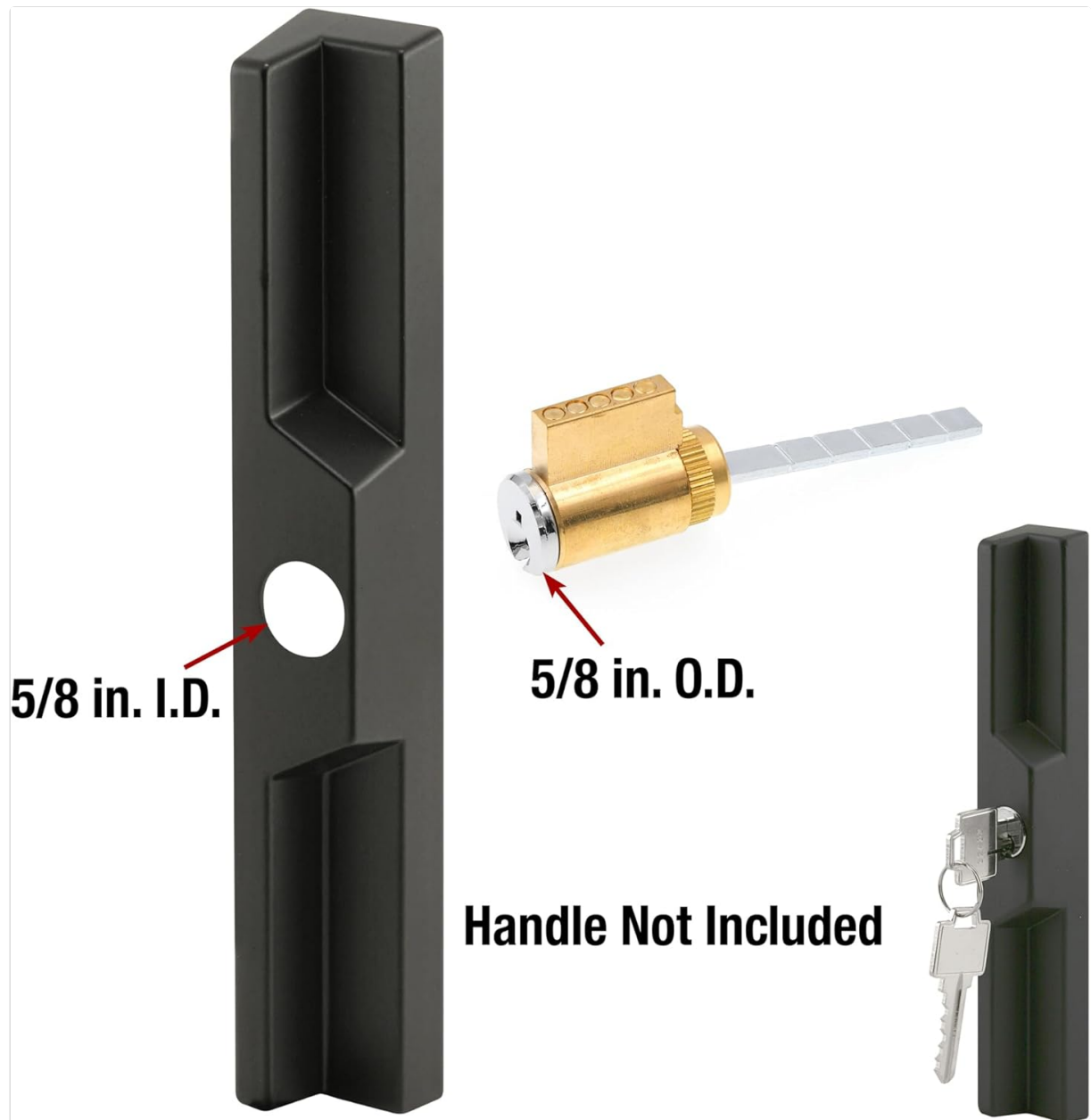
## INSTALLATION

1. **Measure Your Door:** Before beginning, accurately measure your door's backset, cross bore, and thickness to confirm the lock's compatibility. This lock is designed for surface-mounted sliding patio door handle sets.
2. **Dry Fit:** Always dry fit the cylinder lock into your handle set before final assembly. This allows you to check for proper alignment and identify if the tailpiece requires trimming.
3. **Tailpiece Trimming (If Necessary):** If the key binds or the lock does not operate smoothly during the dry fit, the tailpiece may be too long. Carefully trim the hardened break-away tailpiece to the appropriate length using a suitable cutting tool (e.g., hacksaw) and file down any rough edges. Ensure the tailpiece allows for smooth operation without excessive pressure.
4. **Insert Cylinder:** Insert the cylinder lock into the handle set, ensuring the keyway is correctly oriented. The lock works with vertical and 45-degree keyways, with the angle determined when the latch is in the locked position.
5. **Secure Assembly:** Reassemble your patio door handle set according to its specific instructions, ensuring the cylinder lock is securely in place. Avoid over-tightening screws, as this can cause binding and hinder lock operation.

6. **Test Operation:** After installation, test the lock and unlock functions multiple times with the provided keys to ensure smooth and secure operation.



**Image:** Diagram illustrating the components of a cylinder lock installation, showing the tailpiece, plug, and how the cylinder fits into a door handle assembly.



**Image:** The Prime-Line E 2103 Cylinder Lock shown in relation to a patio door handle (handle not included), highlighting the 5/8 inch O.D. of the cylinder and the 5/8 inch I.D. of the handle opening.

## OPERATION

To operate the Prime-Line E 2103 Cylinder Lock, simply insert one of the provided Schlage-shaped keys into the keyway. Turn the key to engage or disengage the locking mechanism of your patio door handle set. Ensure the key turns smoothly without excessive force.

## MAINTENANCE

- Keep the keyway clean and free of debris.
- Periodically apply a small amount of graphite lubricant or a silicone-based lock lubricant into the keyway to ensure smooth operation. Avoid oil-based lubricants as they can attract dirt.
- Inspect the tailpiece and cylinder for any signs of wear or damage. Replace the lock if significant wear is observed.

## TROUBLESHOOTING

Problem	Possible Cause	Solution
Key binds or is difficult to turn.	Tailpiece is too long or handle screws are overtightened.	Remove the lock and re-evaluate the tailpiece length. Trim if necessary. Loosen handle assembly screws slightly to relieve pressure. Apply lock lubricant.
Lock does not engage/disengage fully.	Incorrect tailpiece length or improper installation.	Ensure the tailpiece is correctly sized and the cylinder is properly seated within the handle mechanism. Re-check installation steps.
Key does not fit or is loose.	Using an incorrect key or a worn key.	Ensure you are using one of the provided Schlage-shaped keys. If the key is worn, consider replacing the lock. Note: This lock is not compatible with all Schlage keys and cannot be rekeyed to match other Schlage locks.

## SPECIFICATIONS

Specification	Detail
<b>Brand:</b>	PRIME-LINE
<b>Model Number:</b>	E 2103
<b>Lock Type:</b>	Key Lock
<b>Material:</b>	Brass
<b>Finish:</b>	Chrome face
<b>Cylinder Length:</b>	1-1/4 inches
<b>Tailpiece Length:</b>	1-7/8 inches (break-away)
<b>Item Weight:</b>	2.88 ounces
<b>UPC:</b>	049793021038

## WARRANTY AND SUPPORT

**Manufacturer Warranty:** Goods are warranted against manufacturing defects for 1 year from the date of purchase. Prime-Line is not responsible for user-related damage or damage incurred during installation. The warranty is void if products are subjected to abnormal conditions, misapplication, or abuse.

For additional support or to explore other Prime-Line products, please visit the official [PRIME-LINE Store](#).