

[Manuals.plus](#) /

> [AEG](#) /

> AEG Huz 5 Öko Comfort 222164 Unpressurized Water Heater Instruction Manual

**AEG 222164**

# AEG Huz 5 Öko Comfort 222164 Unpressurized Water Heater Instruction Manual

## PRODUCT OVERVIEW

The AEG Huz 5 Öko Comfort is a compact, unpressurized water heater designed for under-sink installation, providing instant hot water for a single tap. This 5-liter unit features ThermoStop technology for energy efficiency and allows continuous temperature selection from approximately 35 °C to 85 °C. It is an economical and efficient solution for hot water supply in kitchens or bathrooms.





Image: Front view of the AEG Huz 5 Öko Comfort unpressurized water heater, showing the temperature control dial and power cord.

## IMPORTANT SAFETY INSTRUCTIONS

Please read and understand all safety instructions before installing or operating the appliance. Failure to follow these instructions may result in electric shock, fire, property damage, or personal injury.

- **Caution:** This appliance must only be used with a low-pressure/unpressurized faucet. Such faucets are identifiable by three connection hoses. Do not use a shower faucet or any other high-pressure faucet.
- Ensure the appliance is installed by a qualified professional in accordance with all local and national regulations and plumbing codes.
- Do not operate the appliance if the power cord, plug, or the unit itself is visibly damaged. Contact customer support for repairs.
- The appliance is equipped with frost protection. However, ensure it is not exposed to freezing temperatures during operation or storage to prevent damage.
- Regularly check all water connections for leaks and signs of damage. Address any leaks immediately to prevent water damage.
- This product's safety has been tested and certified by the VDE inspection institute, confirming its compliance with safety standards.
- Do not attempt to open or repair the appliance yourself. Refer all servicing to qualified personnel.

## PACKAGE CONTENTS

The AEG Huz 5 Öko Comfort package typically includes the following components:

- 1 x AEG Huz 5 Öko Comfort Small Water Heater
- Wall mounting bracket for secure installation
- Installation and user manual (may be in multiple languages)



Image: Contents of the AEG Huz 5 Öko Comfort package, showing the water heater, its retail box, and the instruction manual.

## INSTALLATION GUIDE

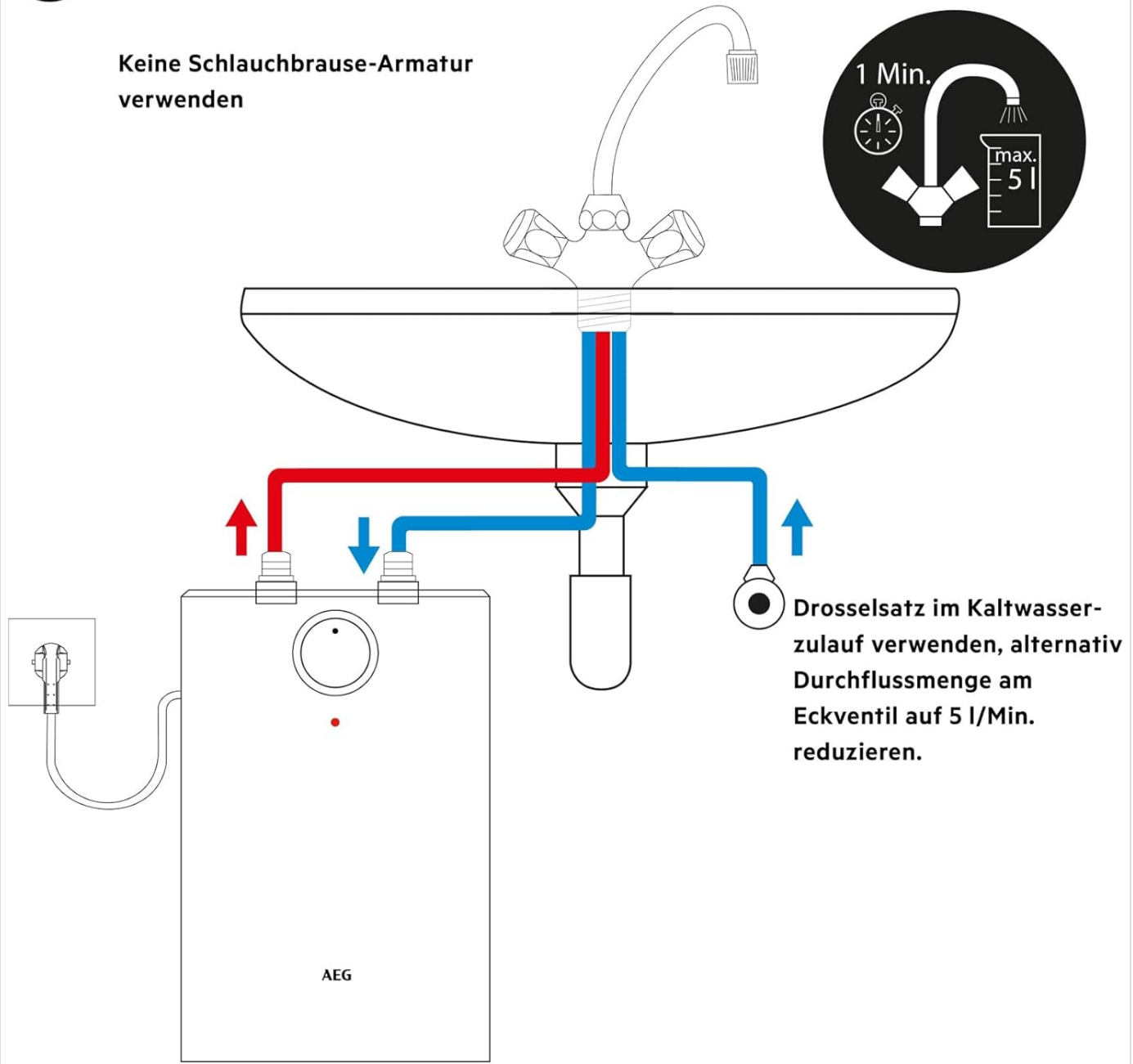
The AEG Huz 5 Öko Comfort is designed for easy under-sink installation and comes ready for connection. Please follow these guidelines carefully:

1. **Mounting the Unit:** Securely attach the provided wall mounting bracket to the wall under the sink. Ensure the mounting surface is stable and can support the weight of the filled water heater (approximately 8.2 kg). Use appropriate fasteners for your wall type.
2. **Water Connection:** This unit requires a low-pressure (unpressurized) faucet. Connect the three hoses from the low-pressure faucet to the corresponding inlets/outlets on the water heater. The connections are typically color-coded (e.g., blue for cold water inlet, red for hot water outlet) for ease of installation. Ensure all connections are tight to prevent leaks.
3. **Flow Reduction (if necessary):** If your water supply has high pressure, it is crucial to use a flow restrictor in the cold water supply line or reduce the flow rate at the angle valve to a maximum of 5 liters per minute. This prevents excessive pressure on the unpressurized unit.
4. **Electrical Connection:** Plug the appliance into a suitable grounded electrical outlet. The unit operates on 230 Volts and has a power rating of 2 kW. Ensure the electrical circuit can handle the load.



# Installation nur mit Niederdruckarmatur.

Keine Schlauchbrause-Armatur verwenden



Drosselsatz im Kaltwasserzulauf verwenden, alternativ Durchflussmenge am Eckventil auf 5 l/Min. reduzieren.

Image: Diagram illustrating the under-sink installation of the water heater, showing connections to a low-pressure faucet and the electrical outlet. It highlights the requirement for a low-pressure faucet and a maximum flow rate of 5 liters per minute.



Image: An AEG Huz 5 Öko Comfort water heater discreetly installed under a modern kitchen sink, demonstrating its compact design and typical placement.

## INITIAL SETUP

---

After successful installation, perform the following initial setup steps before first use:

1. **Fill the Tank:** Open the hot water tap on your low-pressure faucet. The water heater will begin to fill. Wait until water flows freely and steadily from the tap, indicating the tank is completely full and all air has been purged from the system. Close the tap.
2. **Power On:** Plug the appliance into the electrical outlet if not already done. The red indicator light on the front of the unit will illuminate, signaling that the unit is receiving power.
3. **Set Temperature:** Use the rotary control dial on the front of the unit to select your desired water temperature. The unit will begin heating the water to the selected setting.



Image: A close-up view of the rotary temperature control dial on the front of the water heater, showing temperature markings and the red indicator light.

## OPERATING INSTRUCTIONS

---

The AEG Huz 5 Öko Comfort offers simple operation for your hot water needs:

### Temperature Selection

The water temperature can be continuously adjusted from approximately 35 °C (warm) to 85 °C (very hot) using the rotary dial. You can also set a temperature limit at 45 °C, 55 °C, or 65 °C for energy saving or safety purposes. The 'E' position on the dial represents an optimized energy-saving setting.

### ThermoStop Technology

The integrated ThermoStop technology, combined with high-quality thermal insulation, minimizes heat loss from the tank. This ensures efficient operation and contributes to low standby consumption, saving energy.

## Indicator Light

A red indicator light on the front of the unit illuminates when the heating element is active, indicating that water is currently being heated to the selected temperature. The light will turn off once the set temperature is reached.

## MAINTENANCE

---

To ensure the longevity, efficient operation, and hygiene of your AEG Huz 5 Öko Comfort water heater, consider the following maintenance points:

- **Regular Exterior Cleaning:** Clean the exterior of the unit with a soft, damp cloth. Do not use abrasive cleaners, solvents, or harsh chemicals, as these can damage the surface.
- **Descaling:** In areas with hard water, limescale can build up inside the tank and on the heating element over time, reducing efficiency. It is recommended to consult a qualified technician for periodic descaling to maintain optimal performance. The frequency depends on water hardness and usage.
- **Leak Checks:** Periodically inspect all water connections and the unit itself for any signs of leaks or drips. Address any leaks immediately by tightening connections or contacting a professional if the leak persists.
- **Frost Protection:** While the unit has a frost protection feature, if the appliance is to be out of use for an extended period in a location where freezing temperatures are possible (e.g., during winter in an unheated cabin), it is advisable to completely drain the unit to prevent potential damage from freezing water.

## TROUBLESHOOTING

---

If you encounter issues with your water heater, please refer to the following common troubleshooting steps. For problems not listed here or if solutions do not resolve the issue, contact customer support.

- **No Hot Water:**
  - Check if the appliance is properly plugged into a functional electrical outlet.
  - Verify that the power supply to the outlet is active (e.g., check circuit breaker).
  - Ensure the temperature dial is set to a desired temperature above the current water temperature.
  - Confirm that the red indicator light is on when hot water is demanded. If not, there might be a power issue or a fault with the heating element.
  - Ensure the tank is full by opening the hot water tap until water flows steadily.
- **Water Not Hot Enough:**
  - Adjust the temperature dial to a higher setting.
  - Ensure the flow rate from the tap is not excessively high, as this can reduce the water's heating time and perceived temperature.
  - Allow sufficient time for the water to heat up, especially after initial filling or if a large amount of hot water has been drawn.
- **Water Leaks:**
  - Immediately turn off the water supply to the unit and disconnect power.
  - Check all water connections for tightness. Gently tighten any loose connections.
  - If leaks persist or originate from the unit itself, contact a qualified plumber or service technician. Do not attempt to repair internal leaks yourself.
- **Unusual Noises:**
  - Minor gurgling or hissing sounds during heating are normal and are typically caused by water expansion or

heating element operation.

- Loud or persistent banging, popping, or grinding noises may indicate limescale buildup inside the tank or another internal issue. In such cases, professional inspection and descaling may be required.

For issues not covered here, or if troubleshooting steps do not resolve the problem, please contact AEG customer support or a certified service technician.

## TECHNICAL SPECIFICATIONS

Feature	Detail
Brand	AEG
Model Number	222164
Capacity	5 Liters
Power	2 KW
Voltage	230 Volts
Dimensions (L x W x H)	26.3 x 24.2 x 44.3 cm
Weight	3.2 Kilograms
Material	Plastic
Temperature Range	Approx. 35 °C to 85 °C (continuously adjustable)
Special Feature	ThermoStop Technology
Energy Efficiency Class	A
Sound Power Level (indoors)	15 dB
Country of Origin	Germany

For detailed dimensions, refer to the diagram below:

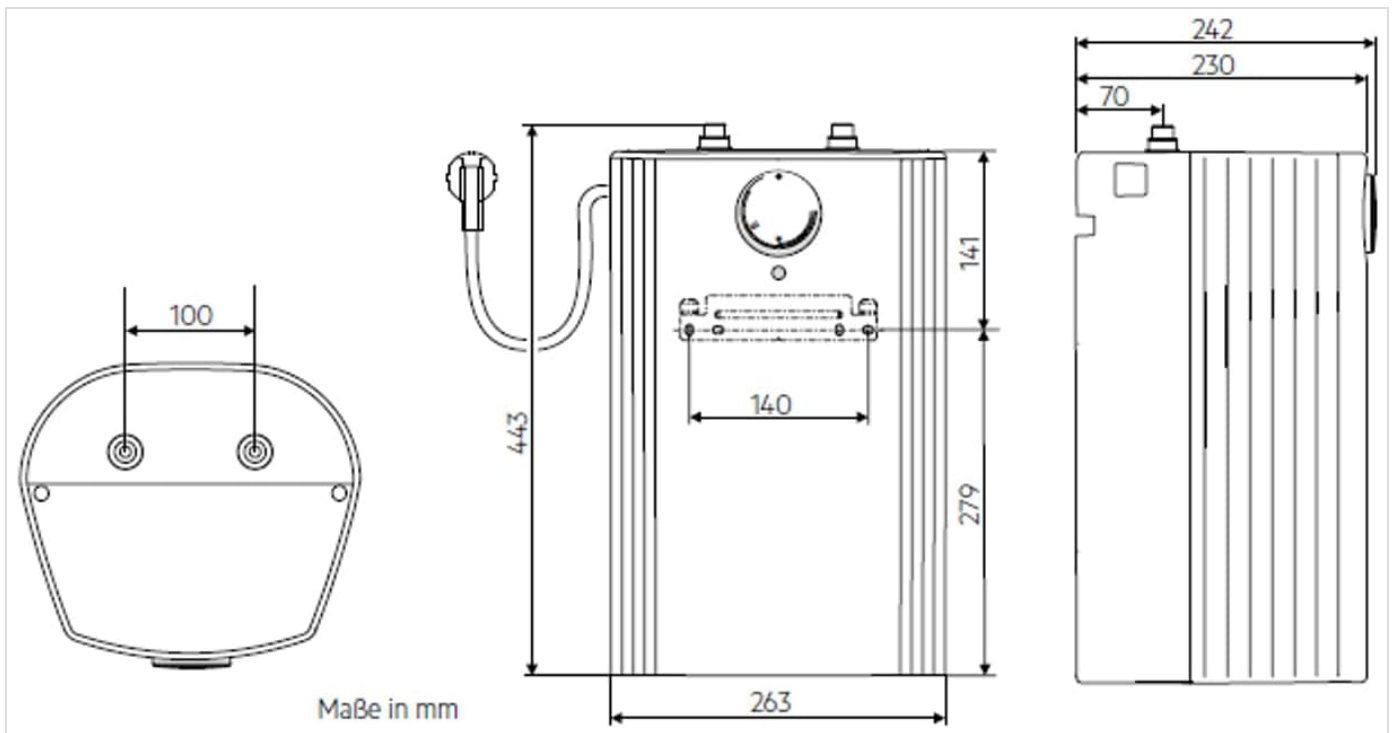
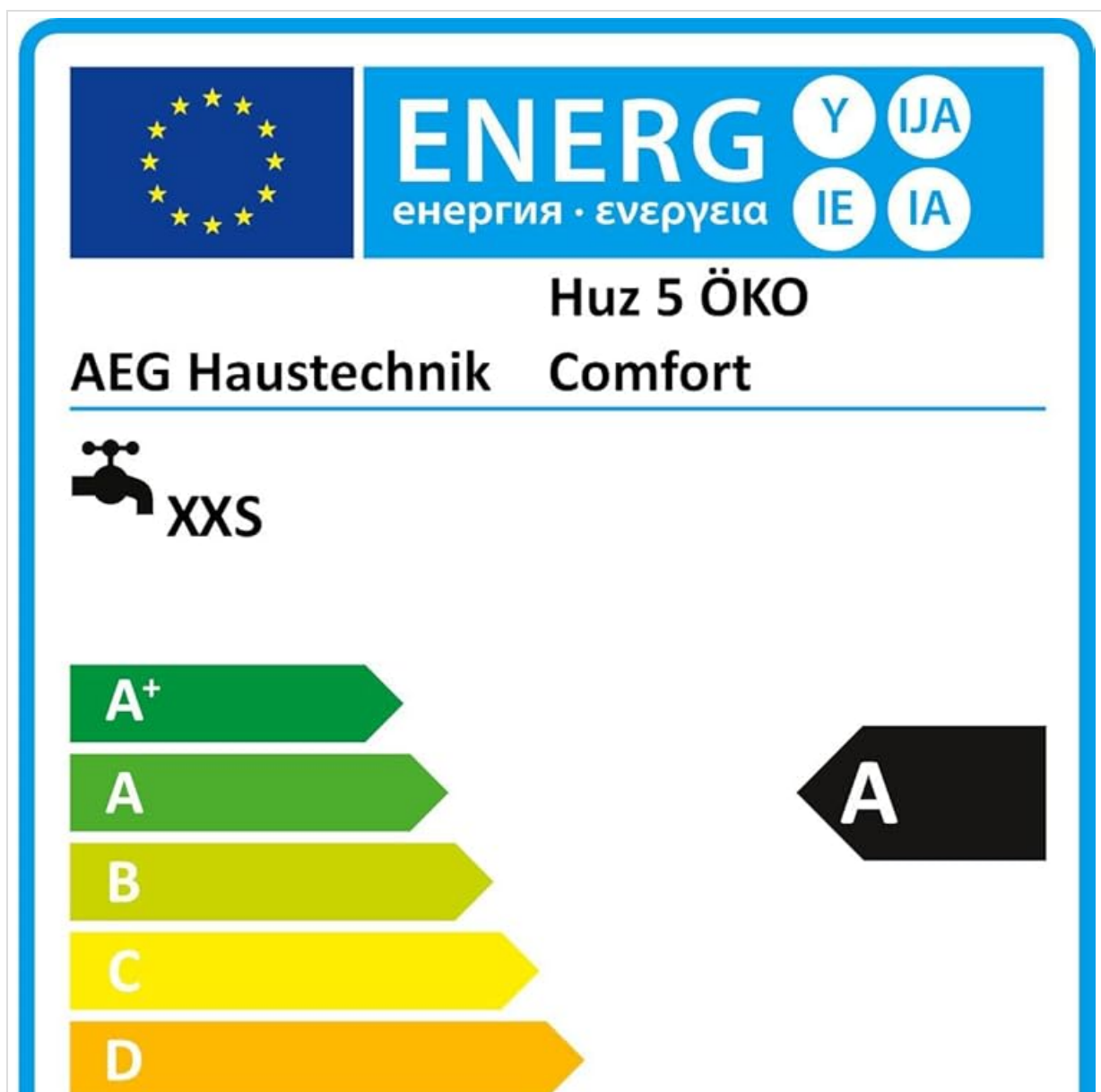


Image: Technical drawing showing the dimensions of the AEG Huz 5 Öko Comfort water heater in millimeters.

For detailed energy information, please refer to the product's energy label and data sheet:



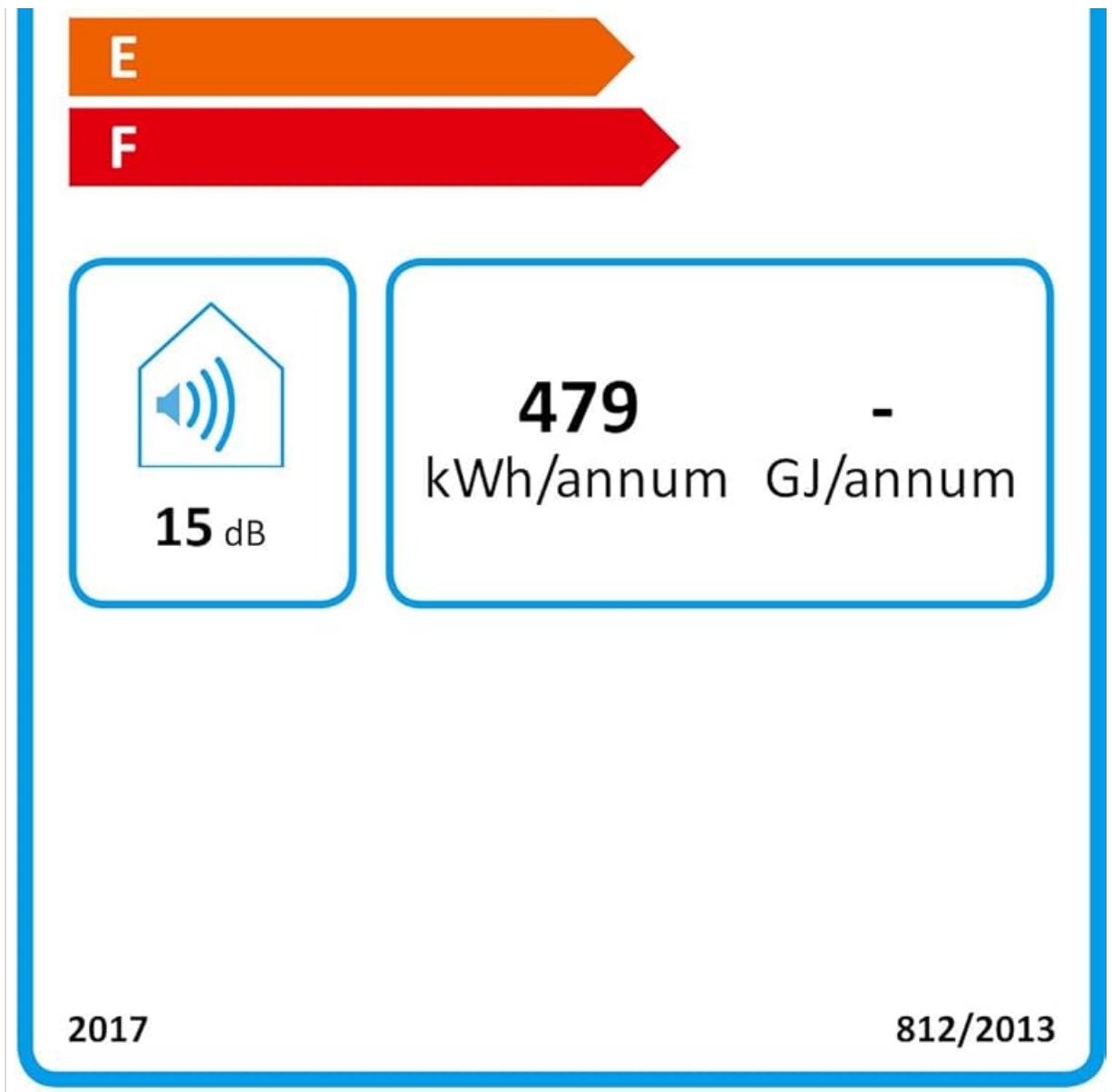


Image: EU energy label for the AEG Huz 5 Öko Comfort, showing an energy efficiency class of A, annual electricity consumption of 479 kWh, and a sound power level of 15 dB.

You can also find more information on the EPREL database: <https://eprel.ec.europa.eu/qr/164837>

## WARRANTY AND SUPPORT

AEG provides a 10-year availability for spare parts for this product, ensuring long-term support and serviceability.

For technical support, warranty claims, or spare parts inquiries, please contact:

**Manufacturer:** EG Haustechnik (Stiebel Eltron GmbH & Co. KG)

**Info Center Email:** [info-center@stiebel-eltron.de](mailto:info-center@stiebel-eltron.de)

**Website:** [www.stiebel-eltron.de](http://www.stiebel-eltron.de)

**Telephone:** 05531702110

**Address:** Dr.-Stiebel-Straße 33, 37603 Holzminden, Germany