



Manuals.plus /

› PRIME-LINE /

› Prime-Line U 9551 Stainless Steel Lock and Door Reinforcement Plate Instruction Manual

PRIME-LINE U 9551

Prime-Line U 9551 Stainless Steel Lock and Door Reinforcement Plate Instruction Manual

Model: U 9551

INTRODUCTION

The Prime-Line U 9551 Lock and Door Reinforcement Plate is designed to enhance the security of entry doors by reinforcing the weak spot around the lock area. This plate helps prevent forced entry and can be used for both metal and wood doors. It is constructed from durable alloy steel with a stainless steel finish. This manual provides instructions for proper installation and general product information.

SETUP AND INSTALLATION

This door reinforcement plate is specifically designed for doors that are **1-3/4 inches thick**. It accommodates key-in-knob locksets with a **2-1/8 inch bore hole** and a **2-3/8 inch backset** (distance from the door edge to the center of the bore hole).

Required Tools: Basic hand tools (e.g., screwdriver, measuring tape).

1. **Verify Door Compatibility:** Ensure your door is 1-3/4 inches thick and has a 2-1/8 inch bore hole with a 2-3/8 inch backset. Refer to the dimension diagram below for precise measurements.

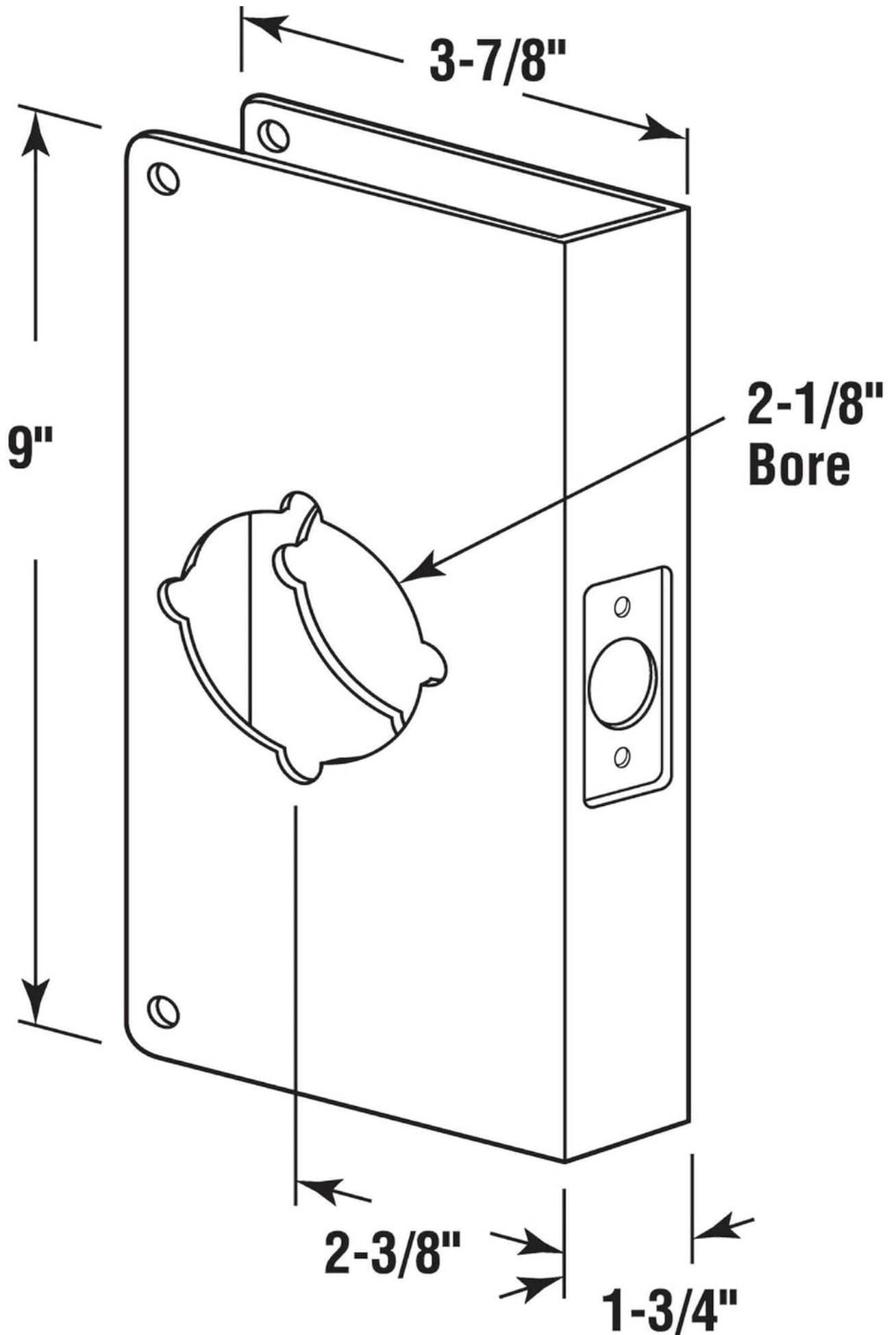


Image 1: Dimensional Diagram. This diagram illustrates the key measurements of the reinforcement plate, including its overall dimensions, bore size, backset, and the compatible door thickness.

2. **Dry Fit the Plate:** Before permanent installation, position the reinforcement plate on the door to ensure it fits

correctly over the existing bore hole and aligns with the door's edge. The plate measures approximately 3-7/8 inches wide by 9 inches tall with a 0.03 inch thickness.

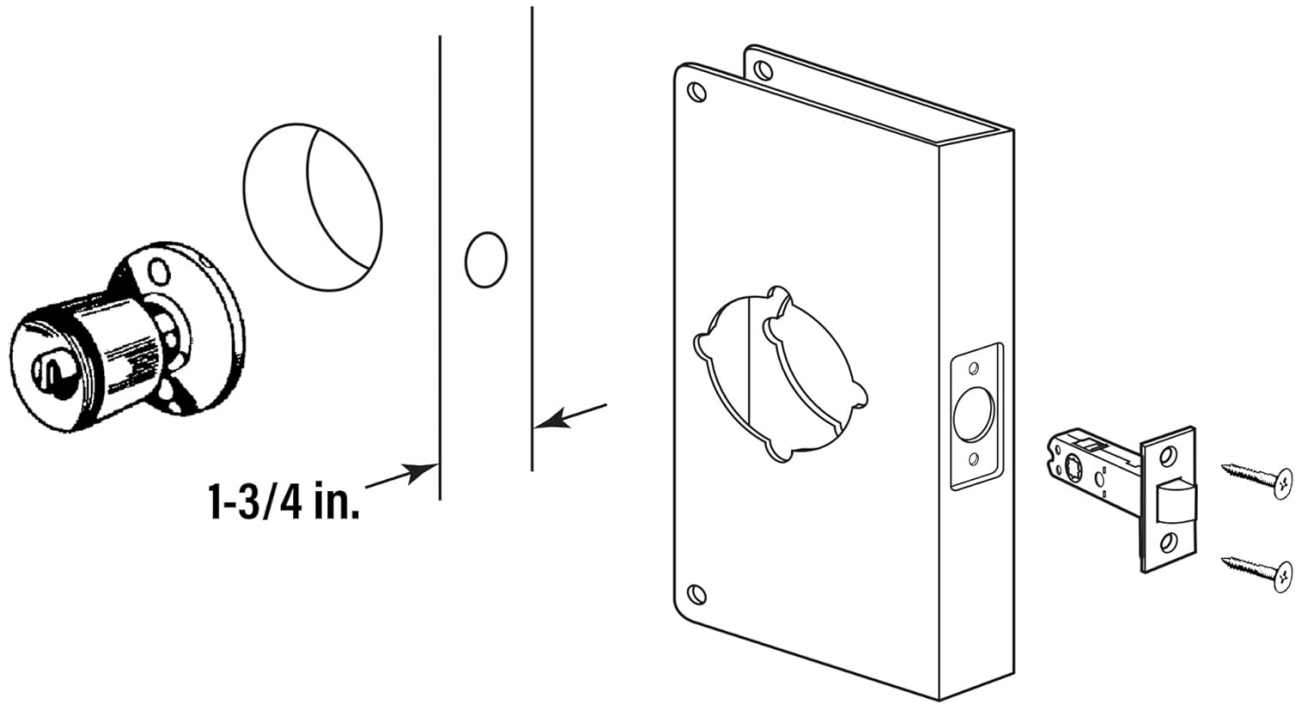


Image 2: Installation Overview. This image provides a visual guide to the components involved in the installation, showing the plate, lock cylinder, and latch mechanism.

- 3. Prepare the Door (if necessary):** The plate features a recessed latch plate pocket for flush installation of hardware. If your door's existing hardware or frame requires it, minor mortising (chiseling out wood) may be needed to ensure the reinforcement plate sits flush with the door's edge and the strike plate on the door frame.
- 4. Install the Plate:** Place the reinforcement plate over the bore hole. All necessary mounting hardware (screws) are included. Secure the plate using the provided fasteners.



Image 3: Installed Reinforcement Plate. This photograph shows the stainless steel reinforcement plate securely installed on a wooden door, with the lock mechanism visible.

5. **Reinstall Lock Hardware:** Once the reinforcement plate is secured, reinstall your key-in-knob lockset and latch mechanism according to the lock manufacturer's instructions.
6. **Remove Protective Film:** After installation is complete, carefully remove any protective film from the stainless steel surface.

OPERATING THE REINFORCEMENT PLATE

The Prime-Line U 9551 Lock and Door Reinforcement Plate is a passive security component. Once installed, it functions by strengthening the door's structure around the lock, providing continuous protection against forced entry attempts. No active operation is required from the user after installation.

MAINTENANCE

The stainless steel construction of the Prime-Line U 9551 reinforcement plate requires minimal maintenance. Periodically inspect the plate and mounting screws for any signs of loosening or damage. Tighten screws if necessary. Clean the surface with a soft, damp cloth and mild soap if needed. Avoid abrasive cleaners or harsh

chemicals, as these may damage the finish.

TROUBLESHOOTING

- **Plate Does Not Fit Flush:** If the reinforcement plate does not sit flush with the door's edge or the existing hardware, it may require minor mortising of the door or door frame. Ensure the recessed latch plate pocket aligns correctly with your lock's latch mechanism.
- **Incorrect Door Thickness:** This product is specifically designed for 1-3/4 inch thick doors. If your door is a different thickness, the plate may not fit properly, leading to installation difficulties or reduced effectiveness. Verify your door's thickness before purchase and installation.
- **Misaligned Bore Hole/Backset:** Confirm that your door's bore hole is 2-1/8 inches and the backset is 2-3/8 inches. Incorrect measurements will prevent proper installation. Refer to the dimensional diagram (Image 1) for guidance.

SPECIFICATIONS

Feature	Detail
Brand	PRIME-LINE
Model Number	U 9551
Material	Alloy Steel (Stainless Steel)
Finish Type	Stainless Steel
Color	Stainless Steel
Item Dimensions (L x W x H)	3.88 x 1.75 x 9 inches
Door Thickness Compatibility	1-3/4 inches
Bore Hole Size	2-1/8 inches
Backset	2-3/8 inches
Included Components	Lock and Door Reinforcer, Mounting Hardware
Special Feature	Anti-Forced Entry
UPC	049793195517

WARRANTY INFORMATION

Goods are warranted against manufacturing defects for 1 year from the date of purchase. Prime-Line is not responsible for user-related damage or damage incurred during installation. The warranty is void if products are subjected to abnormal conditions, misapplication, or abuse.

SUPPORT

For further assistance, technical support, or to inquire about replacement parts, please contact Prime-Line customer service. You can find contact information on the official Prime-Line website or through your product retailer.

For more information about Prime-Line products, visit the Prime-Line Store on Amazon.

