

PRIME-LINE N 6549

Prime-Line N 6549 Wardrobe Door Guide Instruction Manual

Model: N 6549

For Acme and Stanley Panel Wardrobe Doors

1. PRODUCT OVERVIEW

The Prime-Line N 6549 Wardrobe Door Guides are designed to replace worn or damaged bottom guides on older style Acme and Stanley panel wardrobe doors. These guides ensure smooth operation and proper alignment of your sliding wardrobe doors.

Each package includes a pair of guides: one left-hand and one right-hand assembly. They are constructed from durable stamped steel with integrated nylon inserts for reduced friction and quiet operation. The adjustable height feature allows for precise fitting, and the assemblies also function as corner brackets, reinforcing the door's structure.

Key Features:

- Compatible with older style Acme and Stanley wardrobe doors.
- Designed for panel style wardrobe doors.
- Adjustable 2-piece bottom mounted bracket assembly.
- Constructed with stamped steel housing and a nylon guide insert.
- Includes one left-hand and one right-hand guide for a complete pair.

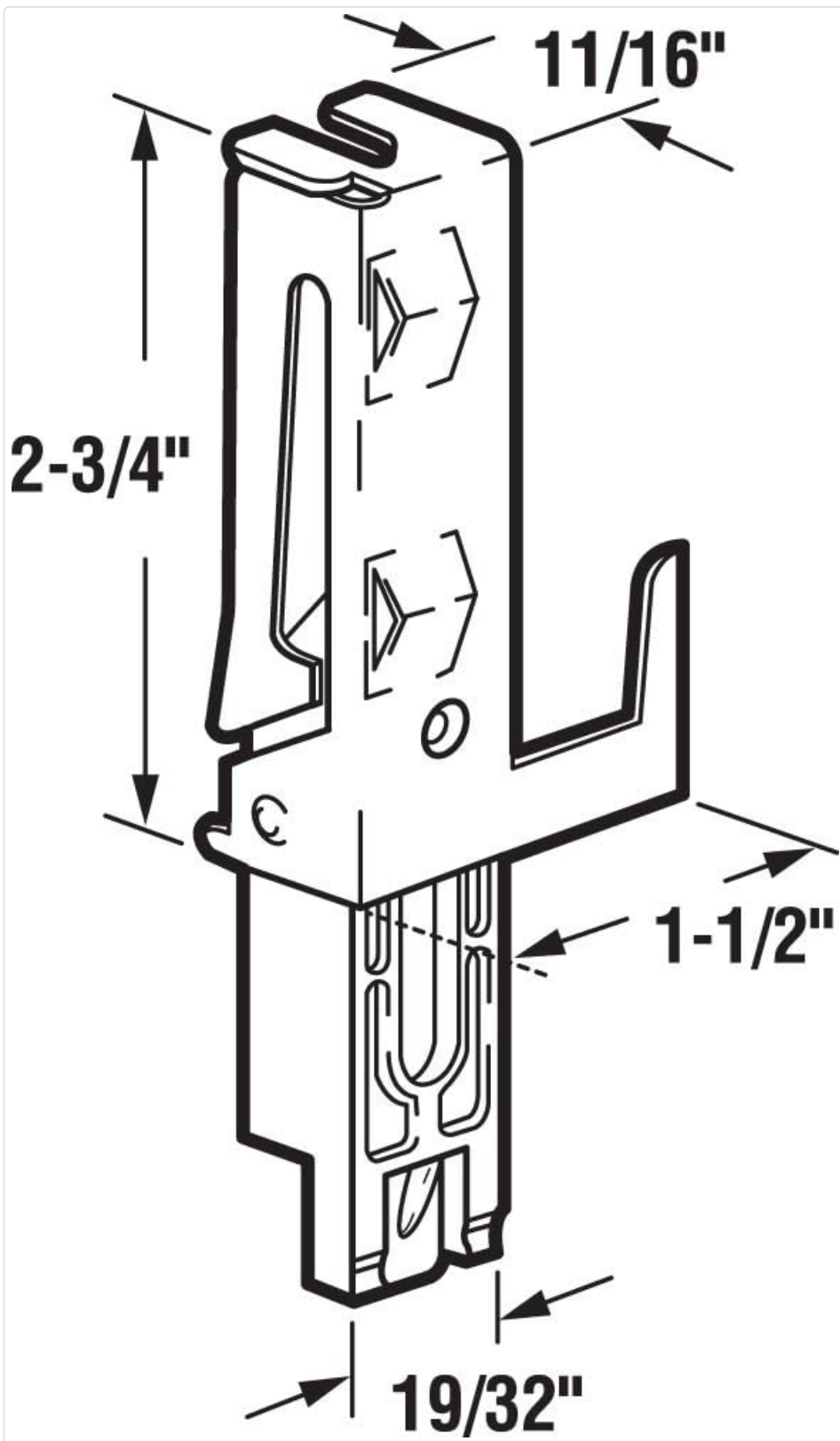


Image 1: A single Prime-Line N 6549 wardrobe door guide, highlighting its stamped steel construction and nylon insert.



Image 2: A pair of Prime-Line N 6549 wardrobe door guides, illustrating the left-hand and right-hand components.

2. SPECIFICATIONS

Attribute	Detail
Brand	PRIME-LINE
Model Number	N 6549
Material	Stamped Steel, Nylon
Style	Adjustable
Item Weight	0.15 Pounds
Included Components	1 Left-Hand Guide, 1 Right-Hand Guide
Required Assembly	Yes
UPC	049793065490

For detailed dimensions, please refer to the line art drawing below.



Image 3: Line art drawing showing precise dimensions of the N 6549 door guide for accurate measurement and comparison.

3. SETUP AND INSTALLATION

These door guides are designed for bottom-mounting on panel wardrobe doors. Ensure you have the correct tools before beginning installation, such as a screwdriver and possibly a measuring tape.

Installation Steps:

1. **Prepare the Door:** Carefully remove the wardrobe door from its track. Lay it flat on a clean, stable surface to access the bottom edge.
2. **Remove Old Guides:** Locate the existing bottom door guides. Unscrew or detach them from the door. Note the orientation of the old guides (left-hand and right-hand) as the N 6549 guides are also handed.
3. **Identify New Guides:** Distinguish between the new left-hand and right-hand guides. They are designed to fit specific sides of the door.
4. **Position New Guides:** Align the new Prime-Line N 6549 guides with the mounting holes or positions where the old guides were located at the bottom corners of the door. These guides also act as corner brackets, holding the sides and door bottom together.
5. **Secure Guides:** Use appropriate screws (not included, typically reuse existing or use new ones suitable for your door material) to firmly attach the guides to the door. Ensure they are securely fastened but do not overtighten.

6. **Adjust Height:** The N 6549 guides feature an adjustable height. Before re-hanging the door, make initial adjustments to match the height of your door's bottom track system. Fine-tune once the door is back on the track.
7. **Re-hang Door:** Carefully place the wardrobe door back onto its top and bottom tracks.
8. **Final Adjustment and Testing:** Slide the door back and forth to check for smooth operation. Adjust the guide height as needed to prevent the door from binding or coming off the track. Ensure the door remains plumb and level.

If you encounter difficulty, consult a professional or refer to online resources for general wardrobe door guide installation techniques.

4. OPERATING INSTRUCTIONS

Once properly installed, the Prime-Line N 6549 Wardrobe Door Guides function passively to ensure the smooth and stable movement of your panel wardrobe doors. They keep the bottom of the door aligned within its track, preventing it from swinging out or derailing during opening and closing.

No active operation is required from the user beyond normal use of the wardrobe door. The nylon inserts facilitate low-friction sliding, contributing to quiet and effortless door movement.

5. MAINTENANCE

Regular maintenance can extend the lifespan and ensure the continued smooth operation of your Prime-Line N 6549 Wardrobe Door Guides.

- **Cleaning:** Periodically inspect the guides and the bottom track for accumulation of dust, dirt, or debris. Use a soft cloth or brush to clean the guides and the track. Avoid harsh chemicals that could damage the nylon inserts.
- **Lubrication:** While the nylon inserts are designed for low friction, a light application of a silicone-based lubricant (avoid oil-based lubricants which can attract dirt) to the bottom track can further enhance smooth sliding. Apply sparingly and wipe off any excess.
- **Inspection:** Annually, or if you notice any issues, inspect the guides for signs of wear, damage, or looseness. Ensure all mounting screws are tight. If the nylon insert appears worn or cracked, consider replacing the guide.

6. TROUBLESHOOTING

If you experience issues with your wardrobe doors after installing or using the N 6549 guides, consider the following troubleshooting steps:

- **Door is Sticking or Hard to Slide:**
 - Check the bottom track for debris and clean thoroughly.
 - Ensure the guides are properly aligned and not binding against the track. Adjust height if necessary.
 - Apply a silicone-based lubricant to the bottom track.
- **Door Comes Off Track:**
 - Verify that the guides are securely fastened and not loose.
 - Check the height adjustment. The guides should fit snugly within the bottom track without

excessive play.

- Inspect the top rollers and track for damage or misalignment.

- **Door is Wobbly or Loose:**

- Tighten all mounting screws for the guides.
- Ensure the guides are correctly installed as left-hand and right-hand units.
- Check the overall integrity of the door panel itself.

If problems persist after attempting these solutions, professional assistance may be required.

7. WARRANTY INFORMATION

Prime-Line Products warrants goods against manufacturing defects for **1 year** from the date of purchase. This warranty does not cover user-related damage or damage incurred during installation. The warranty is void if products are subjected to abnormal conditions, misapplication, or abuse.

For specific warranty claims or further details, please retain your proof of purchase and contact Prime-Line Products directly.

8. SUPPORT

For additional assistance, technical support, or to inquire about replacement parts, please visit the official Prime-Line website or contact their customer service department.

Prime-Line Products: www.primeline.net

Please have your model number (N 6549) and purchase information ready when contacting support.