



Manuals.plus /

› Winsome /

› Winsome Wood Entertainment Cart, Espresso User Manual

Winsome 92235

Winsome Wood Entertainment Cart

Model: 92235

[Contents](#) [Assembly](#) [Introduction](#) [Safety Information](#) [Package](#)
[Operation](#) [Maintenance](#) [Troubleshooting](#) [Specifications](#) [Support](#)

1. INTRODUCTION

This manual provides comprehensive instructions for the assembly, operation, and maintenance of your Winsome Wood Entertainment Cart, Model 92235. This versatile 3-tiered cart, finished in Espresso with chrome accents and casters, is designed to offer convenient storage and serving solutions for your home entertainment needs. Please read this manual thoroughly before assembly and use to ensure safe and proper handling of the product.



Figure 1.1: Front view of the Winsome Wood Entertainment Cart, showcasing its multi-functional design.

2. SAFETY INFORMATION

Adhering to the following safety guidelines will help prevent injury and damage to the product.

- **Weight Capacity:** Do not exceed the recommended weight capacity for each section of the cart. Overloading can lead to structural failure and potential injury. Refer to the "Specifications" section for detailed weight limits.
- **Stability:** Always keep the cart on a level and stable surface to prevent tipping. Avoid placing heavy items on

upper shelves without proper distribution of weight.

- **Movement:** Use caution when moving the cart, especially when it is loaded. Ensure casters are unlocked before moving and lock them when the cart is stationary to prevent unintended movement.
- **Assembly:** Follow all assembly instructions carefully. Ensure all screws and fasteners are securely tightened before use. Loose connections can compromise stability.
- **Heat and Moisture:** Avoid placing hot items directly on the wood surface. Use heat-resistant mats or coasters. Protect the cart from excessive moisture and direct sunlight, which can cause warping, discoloration, or damage to the finish.
- **Children and Pets:** Keep small children and pets away from the cart during assembly. Do not allow children to climb on or play with the cart.

3. PACKAGE CONTENTS

Before beginning assembly, verify that all components listed below are present and undamaged. If any parts are missing or damaged, please contact customer support immediately.

Component	Description	Quantity (Approx.)
Wooden Panels/Shelves	Various pre-drilled wood pieces for the frame, shelves, drawer, and cabinet.	~10-15
Hardware Pack	Screws, bolts, cam locks, dowels, drawer slides, handles, Allen key.	1 set
Casters	Wheels for mobility, some with locking mechanism.	4
Wine Racks	Slotted wooden pieces for horizontal wine bottle storage.	2
Glass Holders	Under-shelf rails for hanging stemmed glassware.	1 set
Instruction Manual	Assembly diagrams and guidelines.	1

Note: A Phillips head screwdriver is required for assembly and is not included in the package.

4. ASSEMBLY INSTRUCTIONS

Assembly of the Winsome Wood Entertainment Cart typically requires two people for ease and stability, though it can be completed by one individual with careful attention. Allow approximately 2-5 hours for complete assembly.

Before You Begin:

1. **Clear Workspace:** Choose a spacious, clean, and well-lit area for assembly. Lay down a blanket or cardboard to protect both the furniture pieces and your floor.
2. **Identify Parts:** Unpack all components and compare them against the parts list in Section 3 and the assembly diagrams. While pieces may not be labeled, match them carefully to the illustrations.
3. **Tools:** Gather your Phillips head screwdriver and the provided Allen key. If using a power drill, set it to a low torque setting to avoid overtightening screws and damaging the wood.
4. **Review Instructions:** Read through all assembly steps in the provided diagrammatic instructions before starting.

Assembly Steps (General Guide):

Refer to the manufacturer's detailed diagrammatic instructions for specific step-by-step guidance.

1. **Assemble the Main Frame:** Begin by connecting the primary vertical and horizontal wooden panels to form the core structure of the cart. Ensure all cam locks and screws are tightened securely.
2. **Install Shelves:** Attach the fixed shelves into their designated slots or with the appropriate hardware.
3. **Assemble and Install Drawer:** Construct the drawer box, attach the drawer slides, and then install the drawer into its compartment. Ensure smooth operation.
4. **Attach Wine Racks and Glass Holders:** Secure the wine bottle racks and the hanging glass holders according to the diagrams.
5. **Install Cabinet Door:** Attach the cabinet door using the provided hinges. Adjust as necessary for proper alignment and closure.
6. **Attach Casters:** Securely screw the four casters to the bottom of the cart. Ensure the two locking casters are positioned at the front for easy access.
7. **Final Checks:** Once assembled, gently shake the cart to check for stability. Tighten any loose connections.



Figure 4.1: Front view of the fully assembled cart.





Figure 4.2: Detail showing the pull-out drawer and wine bottle storage.

5. OPERATING INSTRUCTIONS

The Winsome Wood Entertainment Cart is designed for versatile use in your home. Its features allow for organized storage and easy serving.

- **Storage Utilization:**

- The top surface is suitable for preparing drinks or displaying decorative items.
- The drawer provides concealed storage for small accessories like corkscrews or bottle openers.
- The wine racks are designed to hold standard wine bottles horizontally.
- The hanging glass holders accommodate stemmed glassware. Note that some larger wine glass bases may not fit.
- The enclosed cabinet offers discreet storage for larger items or bottles.
- The open shelves provide additional space for bottles, glasses, or other entertainment essentials.

- **Mobility:** To move the cart, ensure the locking casters are disengaged. Push the cart gently from the handle or a sturdy frame point. For stationary use, engage the locking casters to prevent accidental movement. The casters perform best on hard, flat surfaces and may be less effective on carpeted areas.

- **Weight Distribution:** Distribute items evenly across the shelves and within the cabinet to maintain balance and stability. Avoid concentrating heavy loads on one side or shelf.



Figure 5.1: The cart in use, showcasing its storage capabilities.

6. MAINTENANCE

Regular maintenance will help preserve the appearance and functionality of your entertainment cart.

- **Cleaning:** Wipe surfaces with a soft, damp cloth. For stubborn marks, use a mild, non-abrasive wood cleaner.

Avoid harsh chemicals, abrasive cleaners, or excessive moisture, which can damage the Espresso finish.

- **Wood Care:** Protect the wood from direct sunlight and extreme temperature fluctuations, which can cause fading, cracking, or warping. Use coasters or placemats under hot or wet items to prevent rings and stains.
- **Hardware:** Periodically check all screws, bolts, and fasteners to ensure they remain tight. Re-tighten as necessary to maintain structural integrity.
- **Casters:** Keep the caster wheels free of debris (hair, lint, etc.) to ensure smooth rolling. If casters become stiff, a small amount of silicone lubricant can be applied to the axle.

7. TROUBLESHOOTING

This section addresses common issues you might encounter with your Winsome Wood Entertainment Cart.

Problem	Possible Cause	Solution
Difficulty during assembly	Unlabeled parts, unclear diagrams, tight spaces, fragile hardware.	Carefully review all diagrams before starting. Work slowly and methodically. Consider having a second person assist. Use a hand screwdriver for delicate hardware to avoid stripping.
Cart feels wobbly or unstable	Loose screws or fasteners, uneven assembly.	Check and tighten all screws and connections. Ensure the cart is on a level surface. Re-check assembly steps for any missed or incorrectly installed parts.
Drawer does not slide smoothly	Drawer slides misaligned or obstructed.	Ensure drawer slides are correctly installed and aligned on both the drawer and the cart frame. Check for any debris obstructing the slides.
Casters do not roll smoothly	Debris in wheels, casters locked, uneven surface.	Clear any hair or debris from the wheels. Ensure locking mechanisms are disengaged. The cart rolls best on hard, flat floors; carpet may impede movement.
Scratches or minor damage on parts	Occurred during shipping or handling.	For minor cosmetic issues, wood repair markers or touch-up kits can be used. For significant damage or missing parts, contact Winsome customer support.

8. SPECIFICATIONS

Detailed specifications for the Winsome Wood Entertainment Cart, Model 92235.

Feature	Detail
Brand	Winsome
Model Number	92235
Color	Espresso
Material	Wood
Overall Dimensions (L x W x H)	91.44 cm x 38.1 cm x 88.9 cm (36 in x 15 in x 35 in)
Item Weight	18.01 kg (39.7 lbs)
Maximum Weight Capacity (Overall)	22.68 kg (50 lbs)
Weight Capacity - Top Shelf	9 kg (20 lbs)
Weight Capacity - Drawer	5 kg (10 lbs)
Weight Capacity - Wine Racks (each)	Top: 9 kg (20 lbs), Bottom: 5 kg (10 lbs)
Weight Capacity - Cabinet	9 kg (20 lbs)
Weight Capacity - Right Middle Shelf	9 kg (20 lbs)
Weight Capacity - Right Bottom Shelf	9 kg (20 lbs)
Features	3 Tiers, Drawer, Cabinet, Wine Racks, Glass Holders, Casters (2 locking), Towel Bar/Handle.

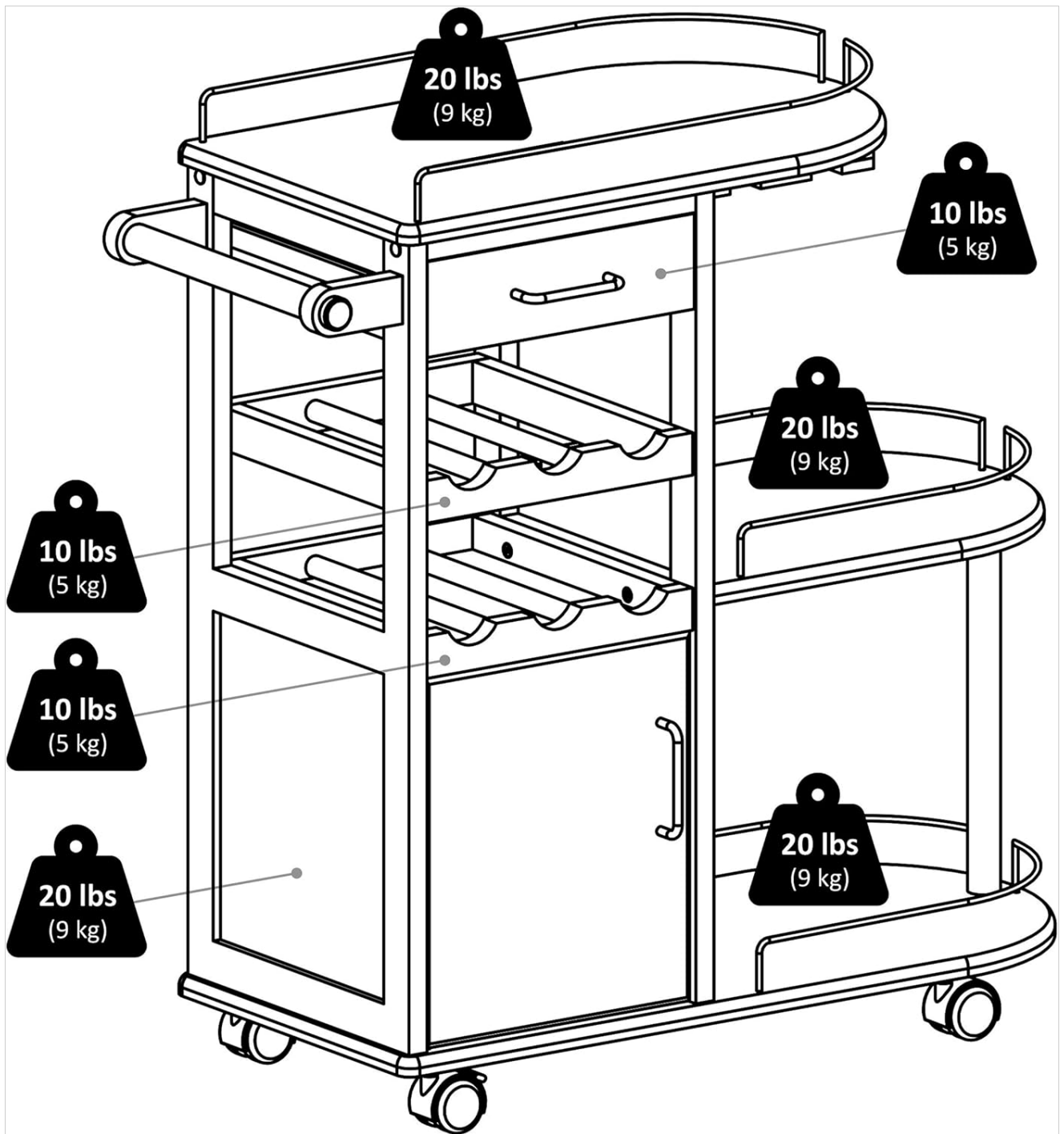


Figure 8.1: Dimensional diagram of the cart.

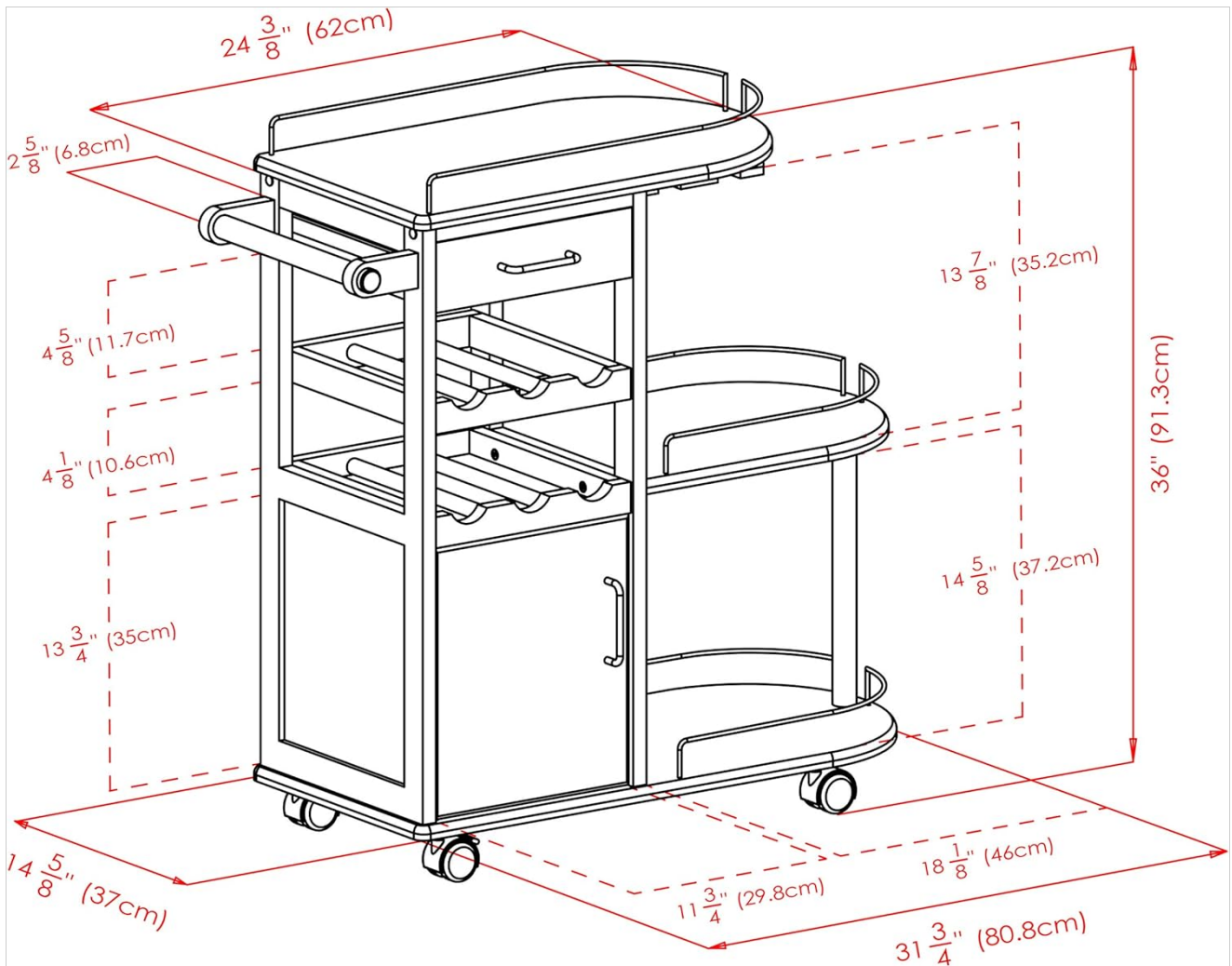


Figure 8.2: Weight capacity diagram for various sections of the cart.

9. WARRANTY AND SUPPORT

For information regarding product warranty, missing parts, or technical support, please contact Winsome Wood directly. Their official website typically provides contact details, FAQs, and information on replacement parts.

Manufacturer: Winsome Wood

Place of Business: WOODINVILLE, WA, 98072 US

Please retain your purchase receipt as proof of purchase may be required for warranty claims or support inquiries.