

[Manuals.plus](#) /

› [Lewmar](#) /

› Lewmar 12V Pro-Series Gypsy Windlass User Manual

## Lewmar PRO-SERIES 1000H

# Lewmar 12V Pro-Series Gypsy Windlass User Manual

Model: Lewmar PRO-SERIES 1000H 5/16" GYPSY Pro-Series Windlass (Part No. 6657011108-102)

Brand: Lewmar

## INTRODUCTION

---

The Lewmar 12V Pro-Series Gypsy Windlass is designed for efficient and reliable anchoring on power and sailboats ranging from 20 to 38 feet. This horizontal windlass system is constructed from durable 316 stainless steel, ensuring resistance to corrosion and long-term performance in marine environments. It is engineered to simplify anchoring operations with its powerful motor and user-friendly controls.



Image: Lewmar 12V Pro-Series Gypsy Windlass. This image shows the main unit of the windlass, highlighting its polished stainless steel finish and compact design.

# Sleek Design

Beautiful stainless steel case combines robustness and strength



Representative Image

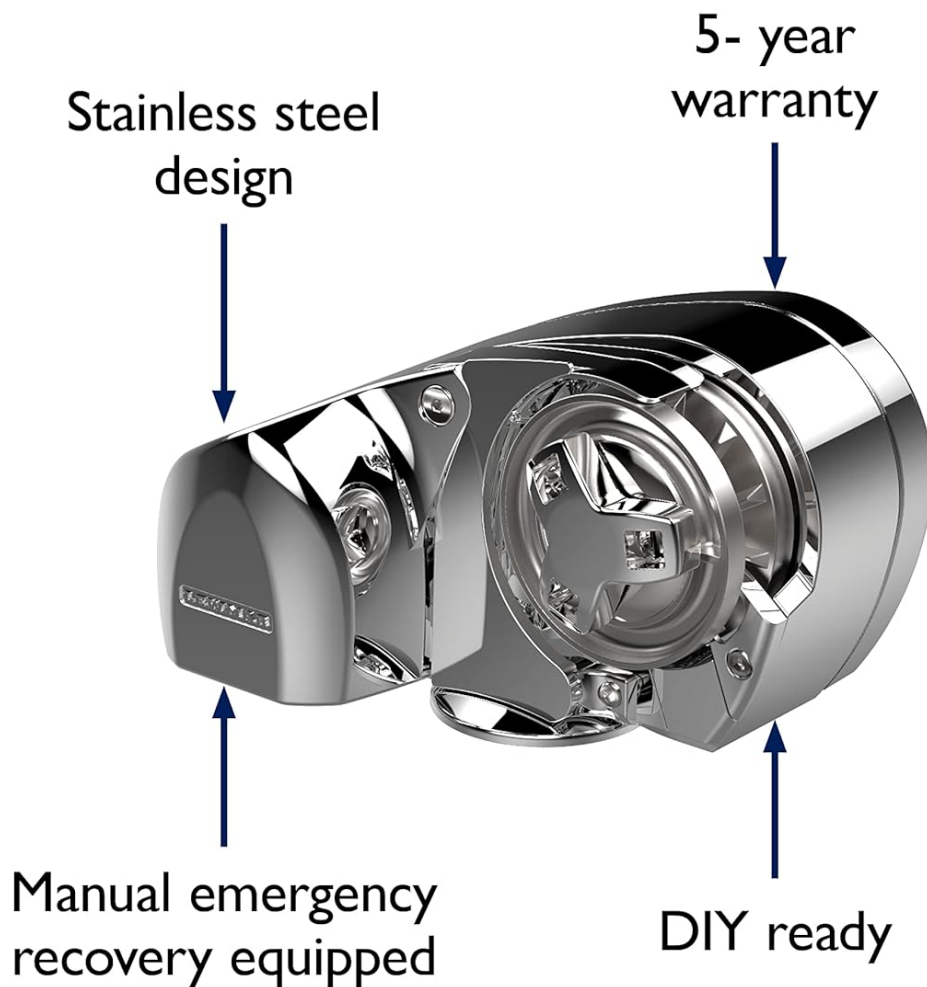
**LEWMAR**<sup>®</sup>

Image: Sleek Design. This image highlights the polished stainless steel casing of the windlass, emphasizing its robust and aesthetically pleasing construction.

## Key Features

- **Efficient Anchoring:** Designed for reliable and stress-free anchoring with push-button control and a built-in manual emergency system.
- **Easy Installation:** Features a convenient above-deck installation process, suitable for DIY boaters.
- **Comprehensive Kit:** Includes the windlass unit, mounting hardware, circuit breaker, rocker switch, solenoid, and installation tools.
- **Powerful & Durable:** Equipped with a powerful motor providing a fast line speed of 100 feet per minute, constructed from 100% 316 stainless steel for protection and durability.

# Features & Benefits



**LEWMAR®**

Image: Features and Benefits. This graphic illustrates key features such as stainless steel design, manual emergency recovery, DIY readiness, and a 5-year warranty.

## SETUP AND INSTALLATION

---

The Lewmar Pro-Series Windlass is designed for straightforward above-deck installation. The complete kit provides all necessary components for a full anchoring system. Refer to the included installation manual and drilling template for precise mounting instructions.

### Kit Contents

The Lewmar horizontal windlass kit typically includes:

- Windlass Unit
- Three M8 studs and nuts for mounting
- 70 amp circuit breaker
- Guarded rocker switch
- Solenoid

- Lewmar wrench
- Drilling template
- Installation manual

# Included in Kit

Windlass, base gasket seal, fast-mounting studs, installation wrench, circuit breaker, dual-direction solenoid and rocker switch



Image: Included in Kit. This image displays the various components typically found in the Lewmar windlass kit, such as the windlass, circuit breaker, solenoid, and rocker switch.

## Compatibility and Placement

This horizontal windlass is suitable for both on-deck and below-deck installations, offering flexibility based on your vessel's design and space availability. Ensure the chosen location provides adequate support and access for wiring and maintenance.

# Compatibility

The ideal horizontal unit for both on-deck and below-deck installation



Representative Image

LEWMAR

Image: Compatibility. This image shows a representative installation of a windlass on a boat, illustrating how it can be integrated into the deck for both visible and concealed setups.

## OPERATING INSTRUCTIONS

---

The Lewmar Pro-Series Windlass is operated via a guarded rocker switch, allowing for simple push-button control of anchor deployment and retrieval. Always ensure the anchor rode (chain or rope) is properly spooled and free of tangles before operation.

### Anchor Deployment

1. Position your vessel appropriately for anchoring.
2. Press and hold the "DOWN" button on the rocker switch to deploy the anchor.
3. Monitor the anchor rode to ensure smooth deployment. Avoid holding the "DOWN" button for extended periods (e.g., more than 5 seconds) if the clutch mechanism is engaged, as this may cause wear.
4. Once the desired amount of rode is deployed and the anchor is set, release the button.

## Anchor Retrieval

1. Maneuver your vessel slowly towards the anchor to reduce tension on the rode.
2. Press and hold the "UP" button on the rocker switch to retrieve the anchor.
3. Guide the rode as it comes in, ensuring it spools correctly into the locker.
4. Once the anchor is fully retrieved and secured, release the button.

## Manual Emergency System

In the event of a power failure or malfunction, the windlass is equipped with a manual emergency recovery system. Consult the detailed installation manual for instructions on how to manually retrieve or deploy the anchor using the provided Lewmar wrench.

## MAINTENANCE

---

Regular maintenance is crucial for the longevity and optimal performance of your Lewmar Pro-Series Windlass. While the unit is made from corrosion-resistant 316 stainless steel, proper care will prevent issues and ensure reliable operation.

- **Regular Cleaning:** Rinse the windlass with fresh water after each use, especially in saltwater environments, to remove salt residue and debris.
- **Visual Inspection:** Periodically inspect the windlass for any signs of wear, corrosion, loose fasteners, or damage to the electrical connections and cables.
- **Sealing Integrity:** Ensure that all seals and gaskets are intact and properly seated to prevent water ingress into the motor and gear components. Consider applying a marine-grade sealant around mating surfaces during installation or reassembly.
- **Annual Disassembly and Lubrication:** For optimal performance and to prevent internal corrosion, it is recommended to annually disassemble the windlass, inspect internal components for wear or water ingress, clean, and re-lubricate moving parts according to the official Lewmar maintenance guide.
- **Rode Inspection:** Regularly check your anchor chain and rope for wear, fraying, or damage. Ensure the chain size and type (5/16" G4 chain, 9/16" or 5/8" 3-strand, or 5/8" 8-plait rope) are compatible with the windlass gypsy.

For detailed maintenance procedures, always refer to the official Lewmar installation and maintenance manual provided with your windlass.

## TROUBLESHOOTING

---

This section addresses common issues that may arise with your Lewmar Pro-Series Windlass. Always ensure power is disconnected before performing any inspection or maintenance.

Problem	Possible Cause	Solution
Windlass does not operate (no power).	Blown circuit breaker, loose wiring connection, faulty switch or solenoid.	Check the 70 amp circuit breaker and reset if tripped. Inspect all electrical connections for tightness and corrosion. Test the rocker switch and solenoid for functionality. Consult a marine electrician if necessary.

Problem	Possible Cause	Solution
Windlass operates but slips or struggles to pull anchor.	Incorrect rode type/size, worn gypsy, anchor stuck, insufficient power.	Ensure the anchor rode (chain/rope) matches the gypsy specifications (5/16" G4 chain, 9/16" or 5/8" 3-strand, or 5/8" 8-plait). Inspect the gypsy for wear. Verify adequate battery voltage and proper wiring gauge for the motor's current draw. Ensure the anchor is not fouled.
Water ingress/rusting inside the unit.	Compromised seals or gaskets, improper sealing during installation.	Disassemble the unit, clean and dry internal components. Inspect and replace any damaged seals or gaskets. Reassemble with marine-grade sealant on mating surfaces to ensure a watertight seal. Regular inspection is key.
Free fall clutch fails or operates erratically.	Excessive pressure on "DOWN" button, internal mechanism wear.	Avoid holding the "DOWN" button for more than 5 seconds continuously. If the issue persists, consult the manual for clutch adjustment or contact Lewmar support.

If you encounter issues not listed here or require further assistance, contact Lewmar customer support or a certified marine technician.

## SPECIFICATIONS

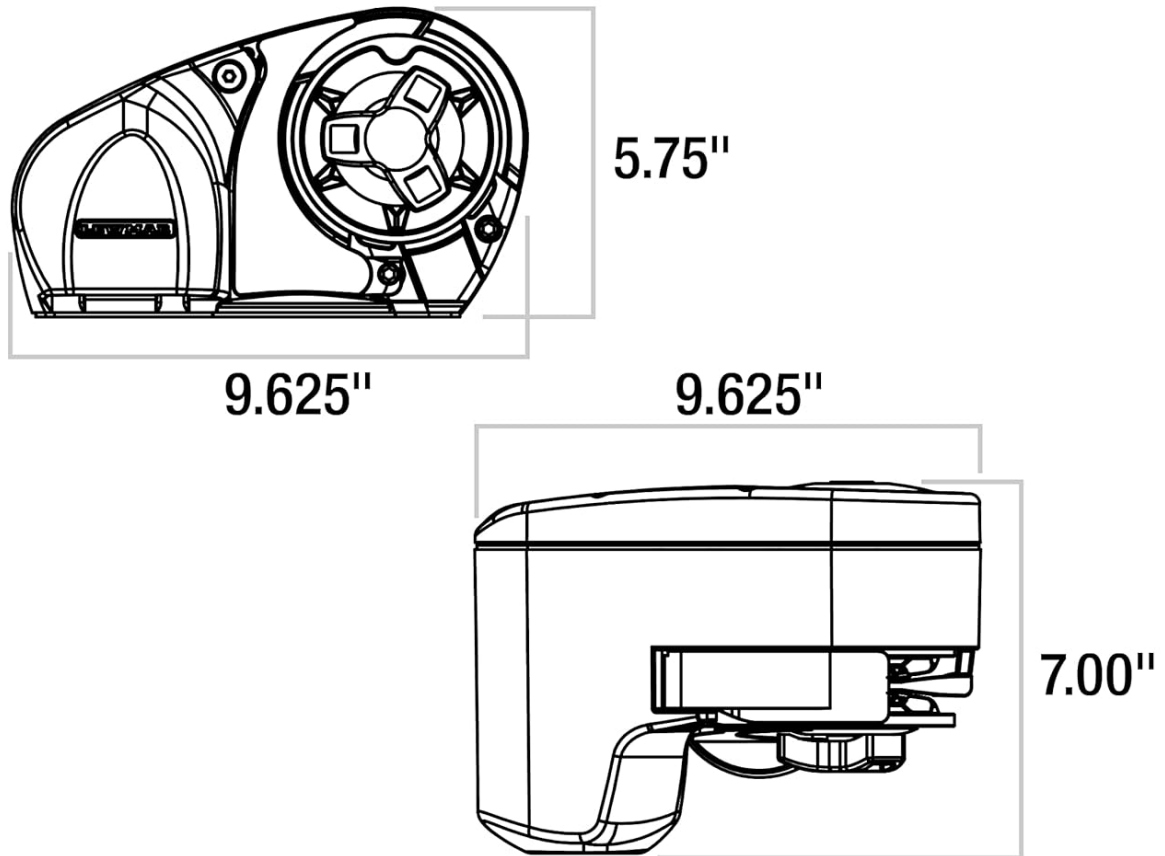
Detailed technical specifications for the Lewmar PRO-SERIES 1000H Windlass:

Attribute	Value
Model Name	Lewmar PRO-SERIES 1000H 5/16" GYPSY Pro-Series Windlass
Part Number	6657011108-102
Maximum Pull	1,000 lbs (454 kg)
Motor Supply Voltage	12V
Motor Power	700 Watt
Maximum Line Speed	100 ft/min (32 m/min)
Normal Current Draw	50 Amp
Circuit Breaker	70 Amp
Compatible Chain Size	5/16" G4 Chain
Compatible Rope Size	9/16" or 5/8" 3-strand, or 5/8" 8-plait
Unit Dimensions (L x W x H)	9.75" x 7" x 5.75" (approximate)
Package Weight	8.66 Kilograms (21 lbs)
Material	316 Stainless Steel

Attribute	Value
Suggested Boat Length	20' - 38'

# Approximate Dimensions

Maximum Pulling Power: 454 kg (1,000 lb)



Anchor weight: 9.5 kg/21 lbs

**LEWMAR**<sup>®</sup>

Image: Approximate Dimensions. This graphic provides key measurements of the windlass unit, including height, width, and length, along with its maximum pulling power.

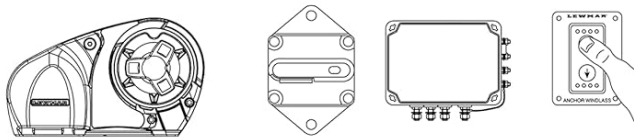
# Selection Guide

Maximum Pulling Power: 454 kg (1,000 lb)

MODEL	MAX CHAIN		MOTOR SUPPLY	MOTOR POWER	MAXIMUM PULL		WORKING LOAD LIMIT		MAXIMUM LINE SPEED		NORMAL CURRENT DRAW	CIRCUIT BREAKER	WEIGHT	
	MM	IN	VOLTAGE	WATT	KG	LB	KG	LB	M/MIN	FT/MIN	AMP	AMP	KG	LB
PRO-FISH 1000	8	5/16	12	700	454	1000	114	250	32	105	50	70	9.5	21

Kits include:

Windlass, base gasket seal, fast-mounting studs, installation wrench, circuit breaker, dual-direction solenoid and rocker switch.



**LEWMAR®**

Image: Selection Guide. This table details various specifications such as motor supply, power, maximum pull, working load limit, line speed, current draw, circuit breaker, and weight for the PRO-FISH 1000 model.

## WARRANTY AND SUPPORT

The Lewmar 12V Pro-Series Gypsy Windlass comes with a **3-year manufacturer's warranty**. This warranty covers defects in materials and workmanship under normal use.

For warranty claims, technical support, or to locate an authorized service center, please contact Lewmar directly through their official website or customer service channels. Always provide your model number (PRO-SERIES 1000H) and part number (6657011108-102) when seeking support.

