

Manuals+

[Q & A](#) | [Deep Search](#) | [Upload](#)

manuals.plus /

› [PRIME-LINE](#) /

› [Prime-Line S 4048 Mail Box Lock User Manual](#)

PRIME-LINE S 4048

Prime-Line S 4048 Mail Box Lock User Manual

Brand: PRIME-LINE

PRODUCT OVERVIEW

This mailbox lock is constructed of diecast and comes with a chrome plated face and dust cover. A security feature of this lock prevents the key from being removed when in the unlocked position, this feature assists in preventing the mailbox user from failing to lock the mailbox, prior to walking away with the key. To unlock this mailbox lock, the key must rotate 90 degrees in a clockwise direction. This lock replaces many original manufacturer's locks and utilizes the National-14 keyway.

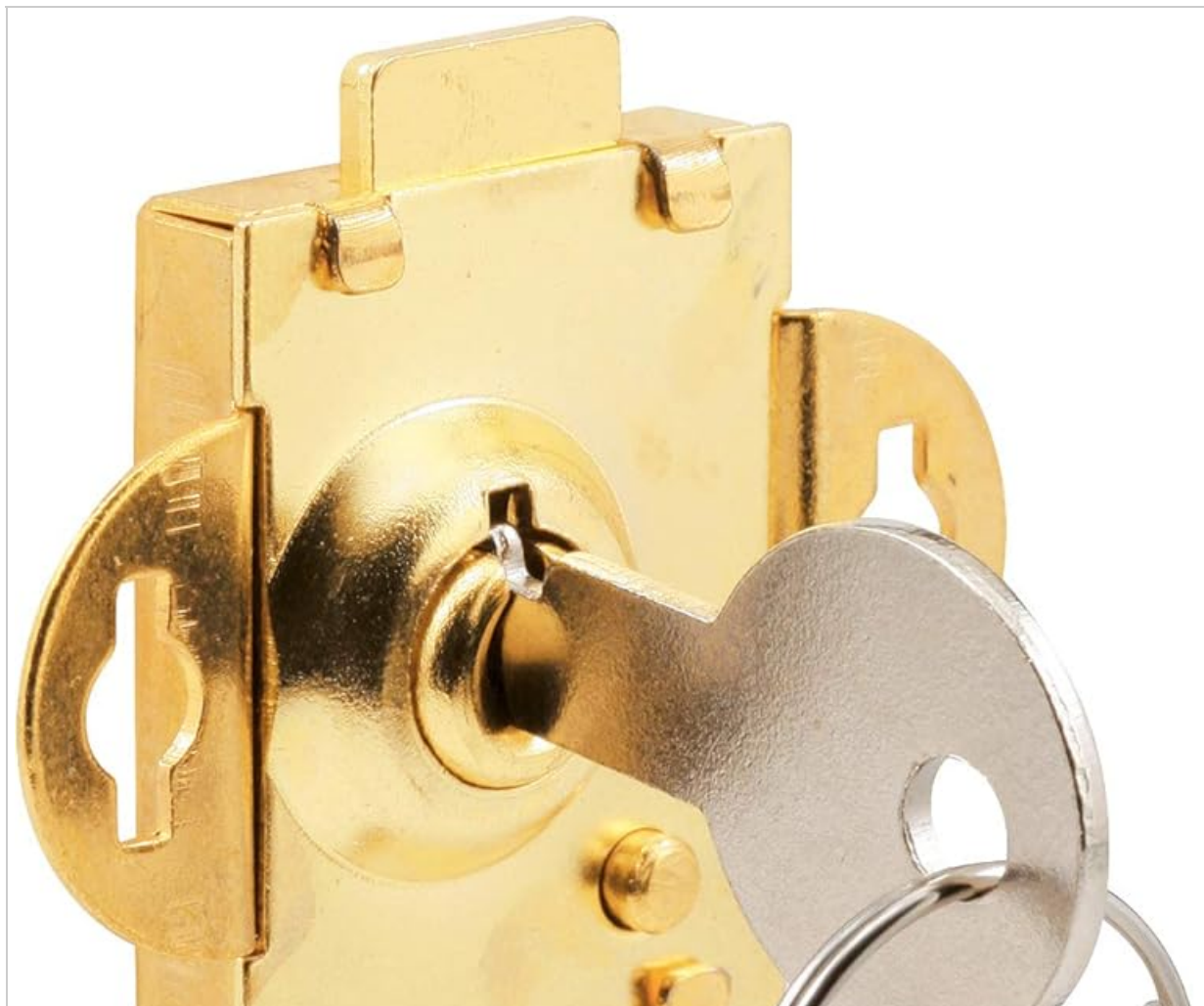




Image 1: The Prime-Line S 4048 Mail Box Lock, showing the brass-plated body and two keys inserted into the keyway.

SETUP AND INSTALLATION

The Prime-Line S 4048 Mail Box Lock is designed for easy installation with only a few simple tools. It is intended for use with mailboxes manufactured by a variety of manufacturers and mounts with two screws.

Installation Steps:

1. **Preparation:** Ensure the mailbox opening and mounting points are clean and free of debris.
2. **Positioning:** Align the new Prime-Line S 4048 lock with the existing mounting holes on your mailbox.
3. **Securing:** Use appropriate screws (not included, typically existing hardware) to secure the lock firmly in place. The lock is designed to mount with two screws.
4. **Testing:** After installation, insert the key and test the locking mechanism to ensure smooth operation and proper engagement of the bolt.

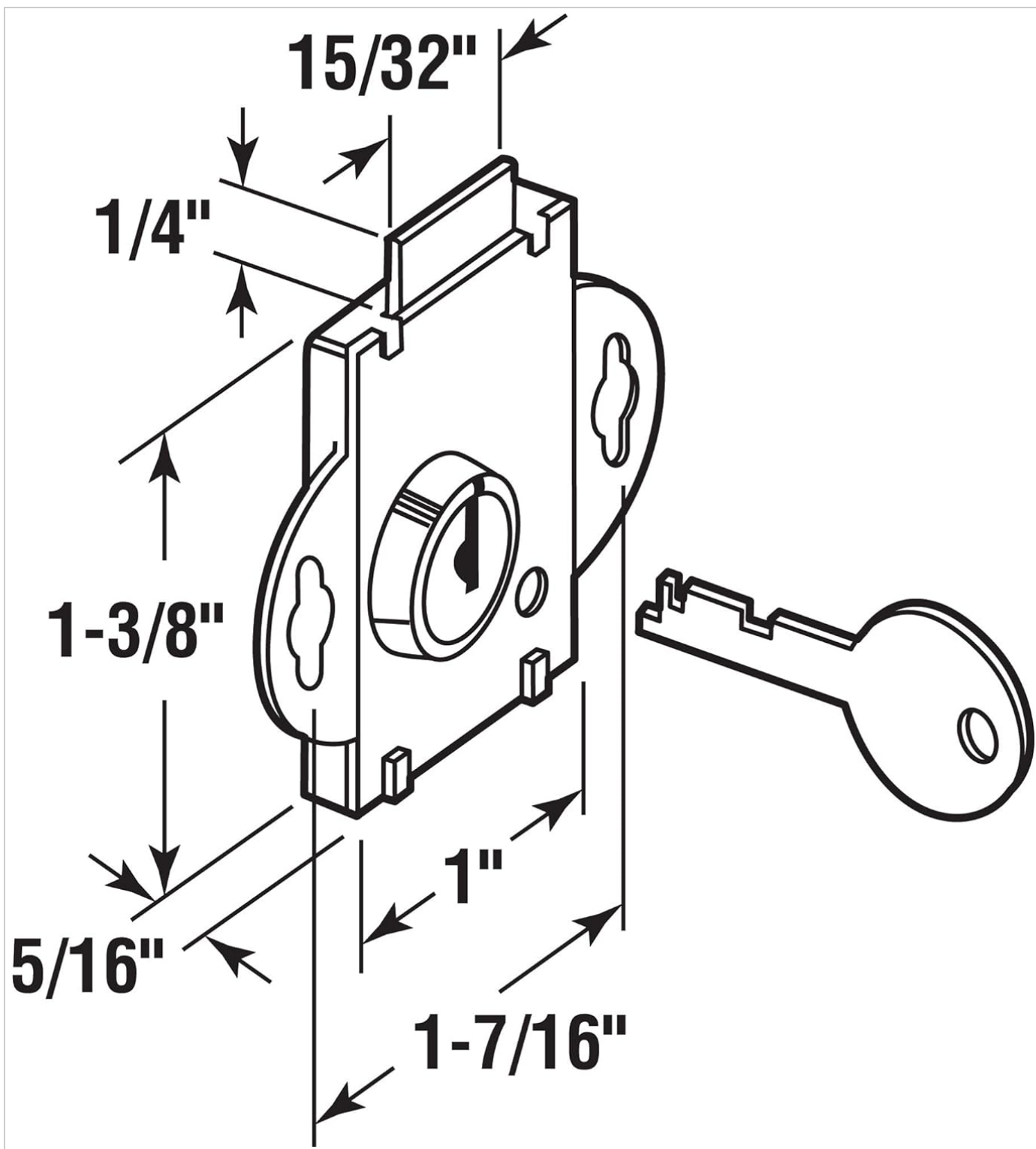


Image 2: Dimensional drawing of the Prime-Line S 4048 Mail Box Lock, illustrating key measurements for compatibility and installation.

OPERATING INSTRUCTIONS

- **Unlocking:** Insert the key into the lock and rotate it 90 degrees in a clockwise direction to unlock the mechanism.
- **Locking:** To lock the mailbox, rotate the key counter-clockwise until the bolt is fully extended and the lock is secured.
- **Key Removal:** A key security feature is integrated into this lock. The key can only be removed when the lock is in the fully locked position. This design helps prevent accidental unlocking or leaving the mailbox unsecured.

MAINTENANCE

The Prime-Line S 4048 Mail Box Lock features steel components with a corrosion-resistant, zinc-plated finish and a

chrome-plated cylinder face, designed for durability and minimal maintenance. Regular cleaning with a soft, dry cloth is recommended to maintain its appearance. Avoid using abrasive cleaners or solvents, which may damage the finish.

TROUBLESHOOTING

- **Difficulty Turning Key:** If the key is stiff or difficult to turn, ensure the key is fully inserted. Avoid forcing the key, as this may damage the lock or the key itself.
- **Lock Mechanism Not Engaging:** Verify that the lock is properly aligned with the mailbox strike plate. Minor adjustments to the lock's position or the strike plate may be necessary.
- **Key Cannot Be Removed:** As a security feature, the key can only be removed when the lock is in the fully locked position. Ensure the lock is completely engaged before attempting to remove the key.

SPECIFICATIONS

Feature	Detail
Brand	PRIME-LINE
Model Name	S 4048
Lock Type	Key Lock
Material	Alloy Steel
Finish Type	Chrome Plated
Color	Brass
Item Dimensions (L x W x H)	0.63 x 3.81 x 4.88 inches
Item Weight	1.44 ounces
Special Feature	Corrosion Resistant
UPC	049793040480

WARRANTY AND SUPPORT

For specific warranty information regarding your Prime-Line S 4048 Mail Box Lock, please refer to the documentation included with your purchase or visit the official PRIME-LINE website. For technical support, replacement parts, or further assistance, please contact PRIME-LINE customer service directly through their official channels.

You can find more information and contact details on the [PRIME-LINE Store on Amazon](#).

