



artsound PWR01 Portable Waterproof Speaker Instruction Manual

[Home](#) » [ArtSound](#) » artsound PWR01 Portable Waterproof Speaker Instruction Manual



Contents [[hide](#)]

- [1 artsound PWR01 Portable Waterproof Speaker](#)
- [2 WHAT'S IN YOUR BOX](#)
- [3 SAFETY INSTRUCTION](#)
- [4 PRODUCT DIAGRAM](#)
- [5 OPERATION](#)
- [6 TROUBLESHOOTING](#)
- [7 SPECIFICATION](#)
- [8 WARRANTY CONDITIONS](#)
- [9 Documents / Resources](#)
- [10 Related Posts](#)

artsound PWR01 Portable Waterproof Speaker




Thank you for buying our ArtSound PWR01 speaker. We hope you'll enjoy it for years to come. Please read these instructions carefully and keep this manual for later reference.

WHAT'S IN YOUR BOX

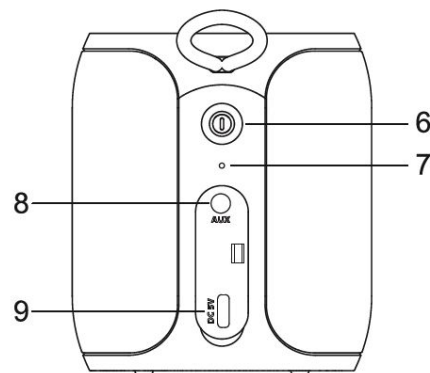
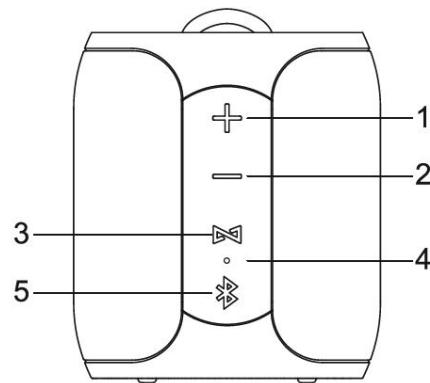
- 1x PWR01 Speaker
- 1x Type-C USB Charging Cable
- 1x AUX IN Cable
- 1x User Guide

SAFETY INSTRUCTION

1.  This logo means that no naked flames, such as a candle can be placed on or near the device.
2. Use this device in temperate climates only.
3. This device may be used by children aged 8 years or older any by those with reduced physical, sensory or mental abilities, or those lacking experience or knowledge, provided they are correctly supervised, or if the instructions related to the use of the device have been adequately given and if the risks involved have been understood. Children must not play with this device. Children should not clean or maintain the device without supervision.
4. The electrical socket must remain easily accessible if it serves as the means of disconnection.
5. Always unplug the device before cleaning it.
6. Clean the device with a soft dry cloth only. Never use solvents.
7. Attention should be drawn to the environmental aspects of battery disposal.
8. The battery (batteries or battery pack) shall not be exposed to excessive heat such as sunshine, fire or the like.

PRODUCT DIAGRAM

1. Volume Up / Next Track
2. Volume Down / Previous Track
3. TWS (True Wireless Stereo)
4. Working state LED
5. Bluetooth / Reset – Answer / Reject Call
6. Power On / Off – Play / Pause
7. Power LED
8. AUX IN Jack
9. Charging port



OPERATION

CHARGING YOUR SPEAKER

1. Use the type-C power cord in the accessories to connect the DC 5V charger and speaker for charging.
2. The orange power LED will turn on to indicate that the unit is charging. then will turn off when fully charged.

Note: A full charge takes approximately 3 hours.

POWER ON / POWER OFF

Power on: Press and hold the button for 2 seconds to power on the speaker. The working state LED will flash.

Power off: Press and hold the button for 2 seconds to power off the speaker. The working state LED will turn off .

PAIRING BLUETOOTH DEVICES WITH YOUR SPEAKER


The speaker will not automatically connect to a new device when power on. In order to pair your Bluetooth audio

device with your Bluetooth Speaker for the first time, follow the steps below:


1. Power on your speaker, the working state LED will flash in green.
2. Enable Bluetooth on your devices (phone or audio device). Refer to the manufacturer's instructions for details.
3. Search for Bluetooth devices and select "PWR01". If required, enter the password "0000" to confirm and complete the pairing process.
4. The speaker will beep when the devices are paired. And the working state LED will turn to green.

Note: The speaker will power off automatically if no connection within 20 minutes.



DISCONNECT BLUETOOTH

Press and hold  button 2 seconds, the speaker will disconnect with the Bluetooth device, others Bluetooth device will connect with the speaker.


BLUETOOTH MUSIC PLAYBACK

1. Open the music player and select a song to play. Press the  button to pause/play the music.
2. Click the + button to increase the volume or long press to skip to the next song.
3. Click the – button to decrease the volume or long press to skip to the previous song.

BLUETOOTH PHONE CALLS

1. Click the  button to answer an incoming call. Click again to end the call.
2. Press and hold the  button for 2 seconds to reject the call.

AUX IN MODE

1. Use the 3.5mm audio cable in the accessories to connect the audio source equipment and speaker
2. Turn on the audio source device and play music
3. Press the  button to play or mute the speaker.


TWS FUNCTION

You can purchase two PWR01 speakers so you can connect them together and enjoy the True Wireless Stereo sound. (32W).

1. Turn off the Bluetooth on your phone or device and make sure speakers are not connected with any devices (also remove the Aux-in cable).
2. Choose one of them as the master unit at will. First click the button on the master x then two speakers will automatically connect each other.
3. Now turn on Bluetooth on your phone or device. And start to search for Bluetooth devices, the "PWR01" will be found, please connect it. If you want to connect PC or other devices with Audio via Aux Cable, please choose the master unit.

4. Once TWS connected, it will re-connect automatically when next power on, otherwise you can clear TWS by long press button.

LIGHT THEME

Double click the  button when playing the music, the light theme can be changed. There are three light themes: Gradient changing light—Breathing Light—no light.

RESET

Press and hold the button 2 seconds to clear pairing records.(Bluetooth and TWS pairing records)

TROUBLESHOOTING

Q: My speaker will not switch on.

A: Please recharge it and make sure it has enough power. Plug the unit into a charger and see if the power LED indicator turn on.

Q: Why can't I pair this speaker with other Bluetooth devices?

A: Please check the following:

Your Bluetooth device supports the A2DP profile.

The speaker and your device are next to each other (within 1m). The speaker has connected one Bluetooth devices, if yes, you can press the button cleared and pairing new device.

SPECIFICATION

- Bluetooth version: V5.0
- Maximum output: 16W
- Built-in power: Li-ion 3.6V 2500mAh
- SNR: 75dB
- Wireless Working Frequency: 80HZ-20KHZ Wireless Transmission
- Distance: up to 33 ft (10M) Charging
- Time: about 3-4 hours
- Playback Time: up to 12 hours
- Charging: DC 5 V±0.5/1A
- Dim. (ø) 84mm x (h) 95mm

WARRANTY CONDITIONS

2 year warranty from date of purchase. The warranty is limited to the repair or replacement of the defective material insofar as this defect is a result of normal use and the device has not been damaged. Artsound is not responsible for any other costs that ensue as a result of the defect (e.g. transport). For details, please consult our general terms and conditions of sale.

This product bears the selective sorting symbol for waste electrical and electronic equipment (WEEE). This means that this product must be handled pursuant to European Directive 2002/96/EC in order to be recycled or dismantled to minimize its impact on the environment. For further information, please contact your local or regional authorities.

I, House Of Music NV, hereby declare that the type of radio equipment ARTSOUND complies with Directive 2014/53/EU. The full text of the EU Declaration of Conformity can be found at the following internet address:


<http://www.artsound.be> > Support.

Disclaimer: All trademarks are the property of their respective owners. All specifications and information are subject to change without further notice. Slight variations and differences might appear between printed photos and actual product due to product enhancement. House Of Music NV – Schoonboeke 10 B-9600 Ronse – Belgium

House of Music nv, Schoonboeke 10, BE-9600 Ronse

www.artsound.be artsoundaudio artsound.audio

Documents / Resources

	<p>artsound PWR01 Portable Waterproof Speaker [pdf] Instruction Manual PWR01, Portable Waterproof Speaker, Waterproof Speaker, Portable Speaker, Speaker, PWR01 Waterproof Speaker</p>
---	--