




Armascost LIGHTING 713429 ProLine Wi-Fi RGB Plus WW Color LED Controller Instruction Manual

[Home](#) » [Armascost LIGHTING](#) » [Armascost LIGHTING 713429 ProLine Wi-Fi RGB Plus WW Color LED Controller Instruction Manual](#) 

Armascost LIGHTING 713429 ProLine Wi-Fi RGB Plus WW Color LED Controller Instruction Manual



Works with the Tuya Smart App, available at the iOS and Google Play stores

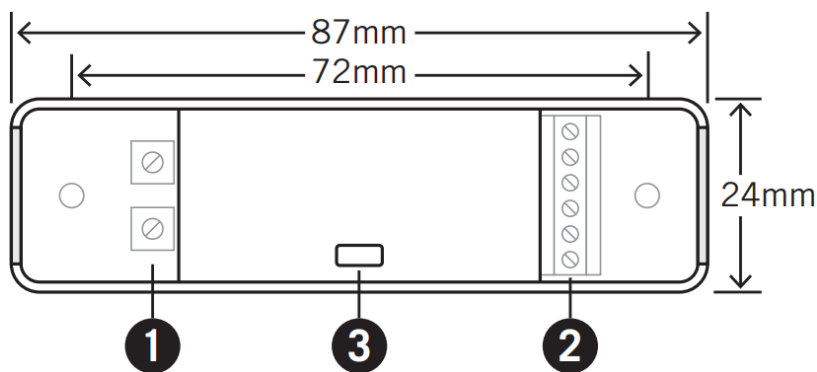
Contents

- 1 Introduction
- 2 Receiver & wiring
- 3 Remote Control
- 4 Remote control operation
- 5 Safety Protection
- 6 Specifications
- 7 Warranty
- 8 Customer support
- 9 Documents / Resources
- 9.1 References

Introduction

This LED controller is designed to work with constant voltage RGB+WW LED products such as LED tape light or LED fixtures in a voltage range of 12–24 volts DC. The receiver works with the RF wireless remote control, which allows the user to choose between multiple colors, adjust the LED brightness, and select dynamic effects.

Receiver & wiring



Input – from power supply

The controller input and output voltage range is 12–24 volts DC. Make sure the LED lighting voltage is within this range and below the rated wattage of the power supply. Connect input wires from the power supply to the controller as indicated by the polarity markings on the controller (+ to + and – to –).

Output – to LED lighting

Observe polarity indicated on the controller when connecting to LED lighting (+ to +, G to G, R to R, etc.).

Make sure the voltage of the LED lighting is the same as the power supply and the maximum load doesn't exceed that of the controller.

CAUTION: Shorting of output cables could cause permanent damage to controller. Make sure cables are well insulated from each other.

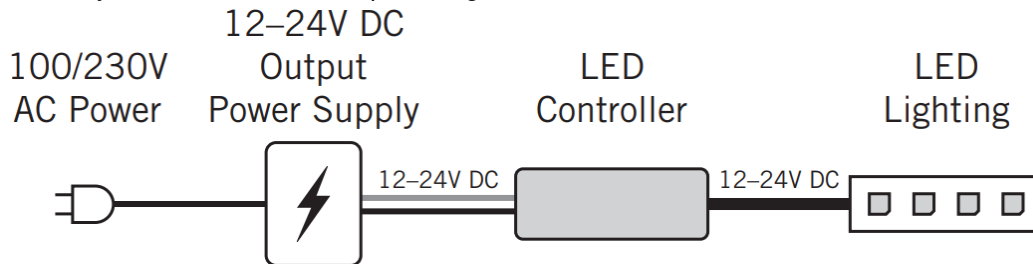
Controller status indicator

This light shows the controller status as follows:

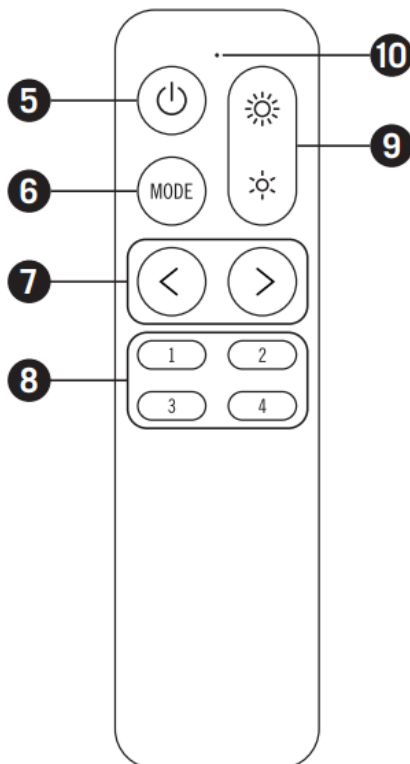
- Steady yellow:** Remote only mode, Wi-Fi disconnected
- Steady green:** Remote and Wi-Fi mode
- Single green blink:** Command received
- Long single yellow blink:** Brightness or speed limit reached
- Red flash:** Overload protection
- Yellow flash:** Overheat protection
- Green flash 3 times:** Setup command received

Wiring diagram

Connect the power supply to the controller input and the controller output to the LED lighting. The output voltage of the power supply must be the same as the voltage of the LED lighting. Make sure all power cables are connected securely and insulated before powering on.



Remote Control



On / Off

Press the key to turn controller on or off. The controller will remember the controller state when powered off, and will return to that state when powered back on.

Mode selection

Press to switch between RGB, white and effects modes.

Color selection

When in RGB mode, scroll through available colors. In white mode, scroll through color temperatures. In effects

mode, scroll through effects.

Favorites

When on a selected color press and hold to set that color to one of the four buttons.

Brightness control

Press to increase LED brightness and press to decrease it

Remote indicator

When pressing keys, the indicator blinks if the remote is working properly. If the indicator flashes slowly when pressing keys, battery power is low and it needs to be replaced. Replace with a CR2032 battery.

Setting up a Wi-Fi connection

Install the Tuya app to set up a Wi-Fi connection. Before setup, make sure the controller is in factory default mode and not connected to other wireless routers. The controller indicator should glow yellow before it has been connected to Wi-Fi.

Remote control operation

Using the remote control

Pull out plastic battery insulation tab before use. The RF wireless remote will work through walls and doors. Do not install in a metal enclosure.

Pairing with a new remote control

The remote control and receiver are already paired, but up to five remotes can be paired to one receiver.

To pair a new remote:

1. Unplug power to receiver and wait five seconds.
2. Reconnect power and within ten seconds press the and keys simultaneously until the remote indicator flashes quickly.

De-pairing remotes

To de-pair a remote control, pair the remote you wish to continue using with the controller and any other paired remotes will be de-paired.

Reset to factory default

To reset the Wi-Fi setting and remote control pairing:

1. Unplug the receiver. Plug in after five seconds.
2. Press the and keys simultaneously for about three seconds, within ten seconds of the receiver being powered on.

The indicator will flash yellow three times to confirm.

Safety Protection

The controller has a function to prevent it from being damaged by mis-wiring, output short circuit, overloading, or overheating. It will automatically shut down under these extreme conditions until safe operating conditions are restored. To avoid shutdowns, make sure the installed LED lighting is compatible with constant voltage, is in the

rated range of the controller, and the cables are well connected and insulated. Also, install the controller with proper ventilation and heat dissipation in mind.

Specifications

- **Output mode** PWM constant voltage
- **Working voltage** 12–24V DC
- **Rated output current** ...5x2A (10A max)
- **Static colors** 30 (remote) /16 million (app)
- **Brightness levels** 10 (remote) /100 (app)
- **Dynamic effect modes** ...34 (remote only)
- **Dynamic speed levels** ...10 (remote only)
- **Scene / Timing function**User defined (app only)
- **Music sensing color** Yes (app only)
- **PWM physical grade**4000 steps
- **Overload/heat protection** Yes
- **Remote frequency**433.92MHz
- **Remote control range**up to 50 ft./ 15m in open areas
- **Wi-Fi standard** IEEE 802.11a/b/g
- **Controller dimensions**3.43 X 0.95 X 0.59 in. /87 X 24 X 15mm
- **Remote dimensions**5.27 X 1.4 X 0.38 in./134 X 36 X95mm

Warranty

3-year limited warranty. This product is for dry location use only. Improper installation, improper powering, abuse, or failure to use this device for its intended purpose will void warranty. Proof of purchase is required for all returns. Questions? Email support@armacostlighting.com.

Customer support

Email: support@armacostlighting.com

Phone: 410-354-6000

Monday–Friday, 9 a.m.–5 p.m., ET

armacostlighting.com

© 2022 Armacost Lighting. All rights reserved.





[Armacost LIGHTING 713429 ProLine Wi-Fi RGB Plus WW Color LED Controller](#) [pdf] Instruction Manual

713429 ProLine Wi-Fi RGB Plus WW Color LED Controller, 713429, ProLine Wi-Fi RGB Plus WW Color LED Controller, RGB Plus WW Color LED Controller, WW Color LED Controller, Color LED Controller, LED Controller

References

- [LED Lighting Products & Solutions from Armacost Lighting](#)
- [User Manual](#)

[Manuals+](#), [Privacy Policy](#)

This website is an independent publication and is neither affiliated with nor endorsed by any of the trademark owners. The "Bluetooth®" word mark and logos are registered trademarks owned by Bluetooth SIG, Inc. The "Wi-Fi®" word mark and logos are registered trademarks owned by the Wi-Fi Alliance. Any use of these marks on this website does not imply any affiliation with or endorsement.