




APsystems 4300805302 25A AC Connector Installation Guide

[Home](#) » [APsystems](#) » [APsystems 4300805302 25A AC Connector Installation Guide](#) 

Contents

- [1 APsystems 4300805302 25A AC Connector](#)
- [2 Verify the AC connector](#)
- [3 Wire Stripping](#)
- [4 Wiring cables to the AC connectors](#)
- [5 Documents / Resources](#)
- [6 Related Posts](#)



APsystems 4300805302 25A AC Connector



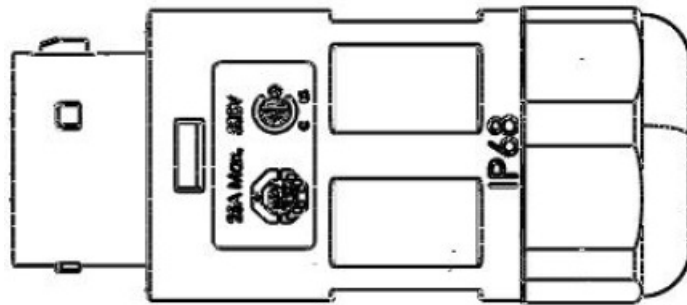
Tools:

Cross screwdriver, wire stripper, solid wrench, or monkey wrench.

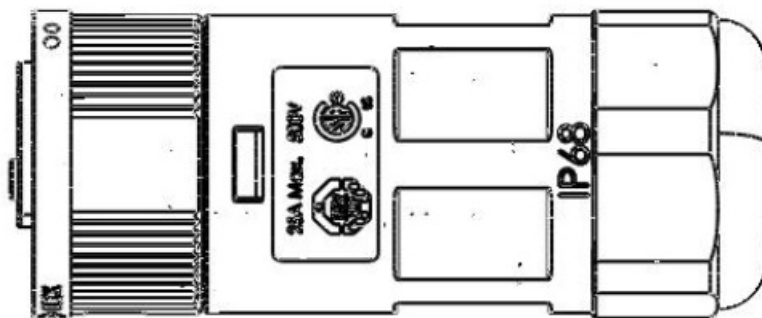
Verify the AC connector

Type is 25A AC Male Connector (EN,5-wire) or 25A AC Female Connector (EN,5-wire).

25A AC Male Connector(EN,5-wire)

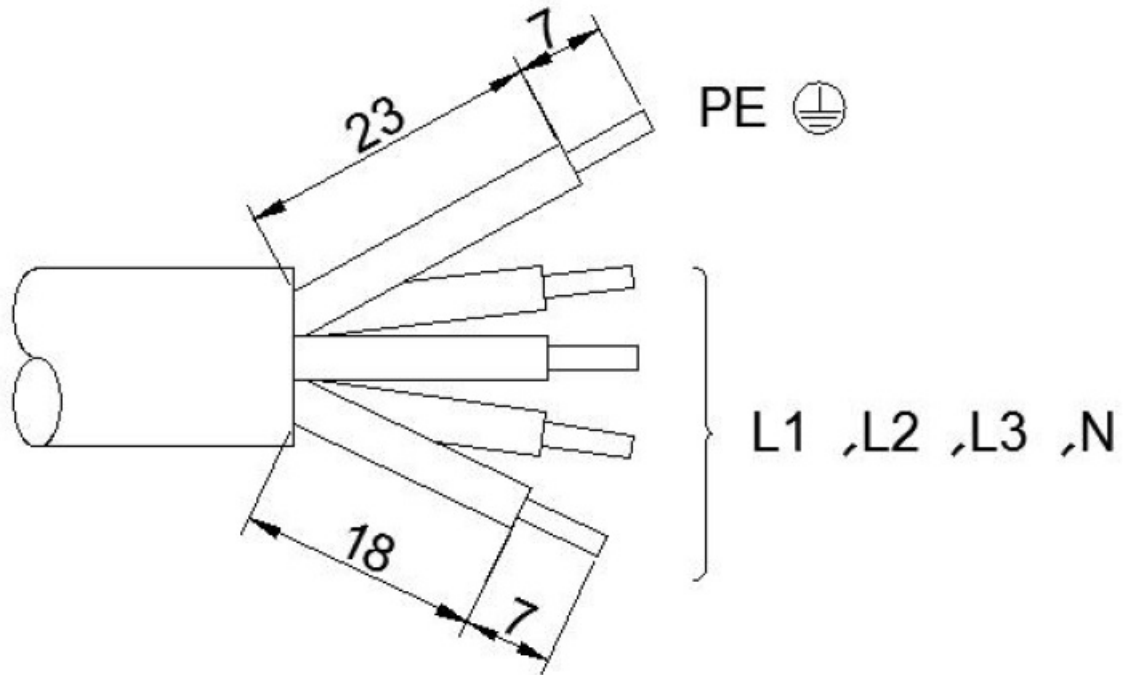


25A AC Female Connector(EN,5-wire)



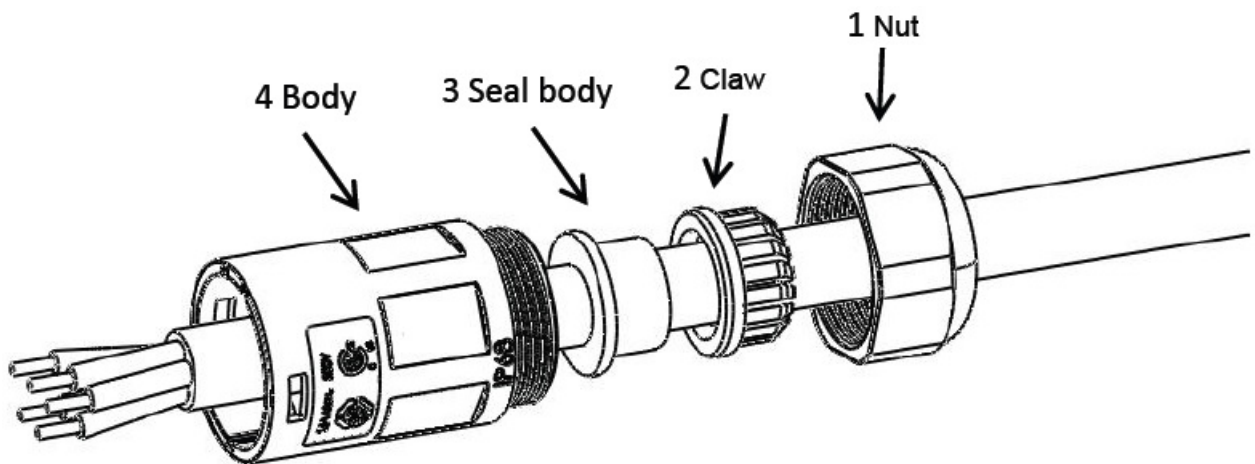
Wire Stripping

- **Wire gauge** 5×2.5mm² (14AWG) or 4×2.5mm² (14AWG~12AWG)
- **Cable OD** 10mm~13mm
- **Wire stripping size (mm)**: Earth wire is supposed to be longer than Live wire and Neutral wire.

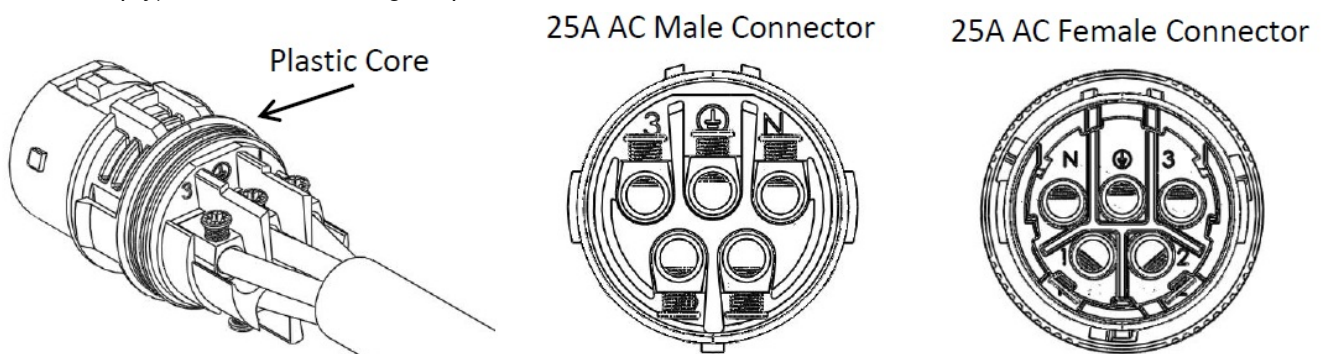


Wiring cables to the AC connectors

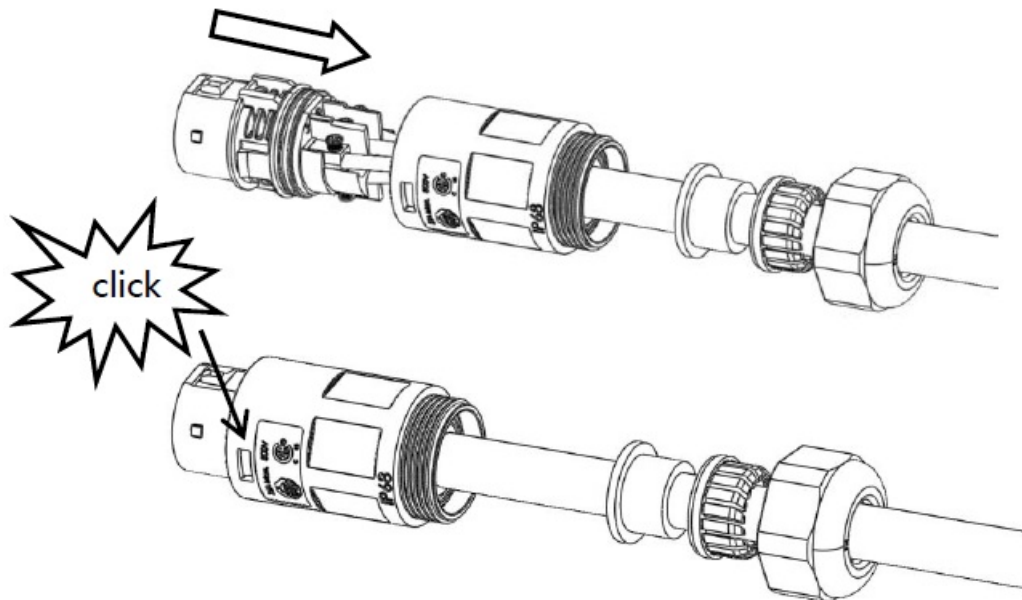
- Set the parts on the cable according to the order of 1→2→3→4.



- **Crimp wires:** the plastic core of the connector is printed, please wire according to the print, (If the 4-wire cable can be empty), and screw twisting torque 0.8 + / - 0.1N. m.



- Push Housing into the Body until hearing the click sound.



- Insert Seal and Clamp Finger into Body, then tighten the nut, torque m 4.0 +/- 0.5N .m.

Installation completed



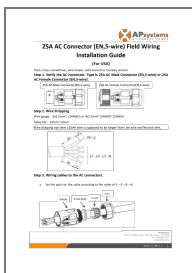
- Installation of cable end female connector is the same as a male connector.

APsystems

8701 N. Mopac Expy, Ste 160, Austin, TX 78759 Tel: 844-666-7035

apsystems.com.

Documents / Resources



[APsystems 4300805302 25A AC Connector](#) [pdf] Installation Guide
4300805302, 4300805302 25A AC Connector, 25A AC Connector, AC Connector, Connector