



## anslut 006865 Wall Socket Instruction Manual

[Home](#) » [anslut](#) » anslut 006865 Wall Socket Instruction Manual 

### Contents

- [1 anslut 006865 Wall Socket](#)
- [2 SAFETY INSTRUCTIONS](#)
- [3 TECHNICAL](#)
- [4 USB CHARGER](#)
- [5 ASSEMBLY](#)
- [6 Documents / Resources](#)
- [7 Related Posts](#)



**anslut 006865 Wall Socket**



## SAFETY INSTRUCTIONS

- Do not connect power strips to each other.
- Do not cover the power strip.

## ELECTRICAL SAFETY

New installations and extensions to existing systems should always be carried out by an authorised electrician. If you have the necessary experience and knowledge (otherwise contact an electrician), you can replace power switches and wall sockets, fit plugs, extension cords and light sockets. Incorrect installation can result in fatal injury and the risk of fire.

## SYMBOL

	Read the instructions.
	Approved in accordance with the relevant directives.
	Recycle discarded product as electrical waste.

## TECHNICAL

- **Voltage:** 230 V ~ 50 Hz
- **Protection rating :** IP21

- Current :16 A
- Size :102x65x43 mm
- Recess depth:43 mm

## USB CHARGER

- Electrical input data: 230 V ~ 50 Hz, 200 mA
- Electrical output data (total):5 V, 4.8 A
- USB port:USB type A

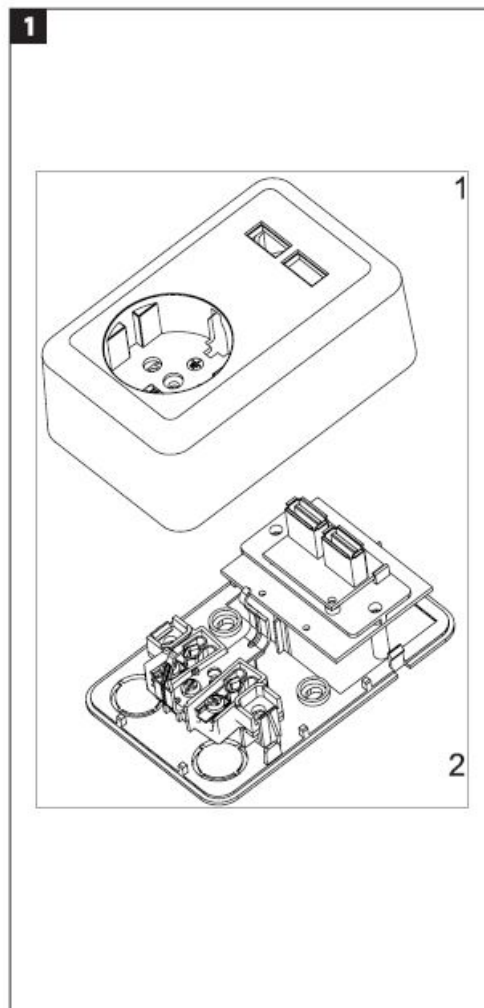
### NOTE:

The USB charger connection's total output current is 4.8 A. The current is disconnected automatically if the charging current exceeds this value to protect the connected devices.

## ASSEMBLY

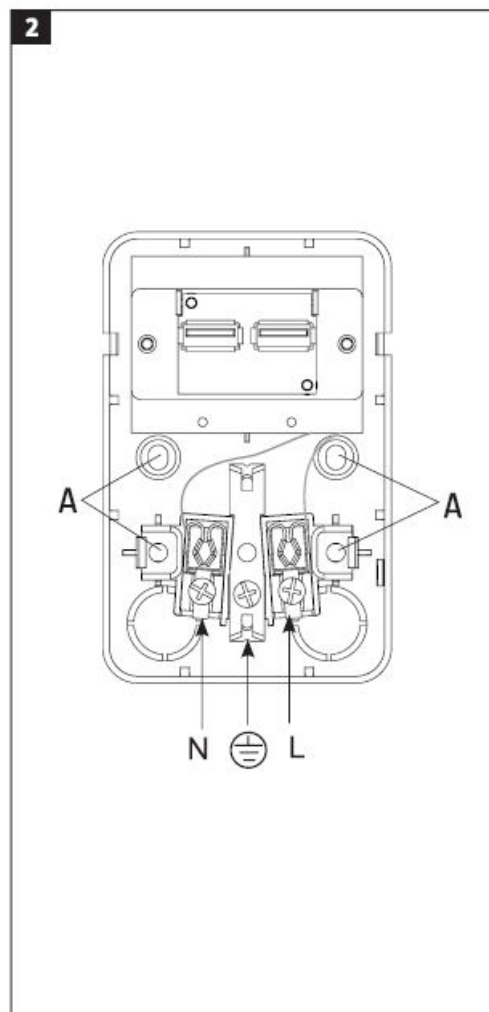
### INSTALLATION

1. Disconnect the power supply by taking out the fuse and check that the wires are without voltage.
2. Strip about 11 mm off the ends of the wires.
3. Dismantle the product into two parts. FIG. 1



4. Open the grommets and push the cable into the housing.

5. Screw part 2 to the wall using the screw holes (A).



6. Connect the wires according to colour and the markings N, Land@.

7. Check that all the connections are correct.

8. Press part 1 on part 2 and screw tight.

## Documents / Resources

<p>The thumbnail shows the cover of the instruction manual for the Anslut 006865 Wall Socket. It features the Anslut logo, the product name, and a list of contents in Swedish.</p>	<p><a href="#">anslut 006865 Wall Socket</a> [pdf] Instruction Manual 006865, Wall Socket</p>
---	---