


Manuals+

User Manuals Simplified.



anko 43072910 Cat Tower XL Instructions

January 14, 2022 January 16, 2022

[Home](#) » [Anko](#) » anko 43072910 Cat Tower XL Instructions 



Cat Tower XL



Contents [[hide](#)]

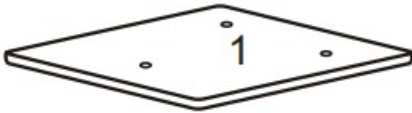
1 [Contents](#)

2 [Instructions](#)

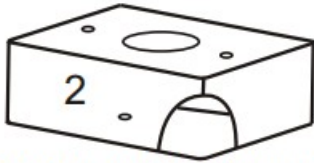
3 [Documents / Resources](#)

3.1 [Related Manuals / Resources](#)

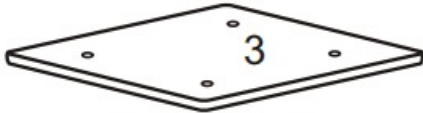
Contents



1PC SIZE 480mm*480mm*12mm



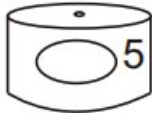
1PC SIZE 480mm*300mm*240mm



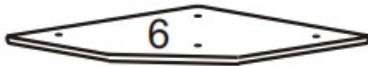
1PC SIZE 480mm*480mm*12mm



2PC SIZE 280mm*280mm*12mm



1PC SIZE 280mm*280mm*240mm



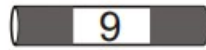
1PC SIZE 480mm*480mm*12mm



2PC SIZE 300mm*300mm*70mm



1PC



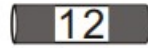
2PC SIZE \varnothing 67mm*480mm



2PC SIZE \varnothing 67mm*480mm



2PC SIZE \varnothing 67mm*100mm



4PC SIZE \varnothing 67mm*240mm

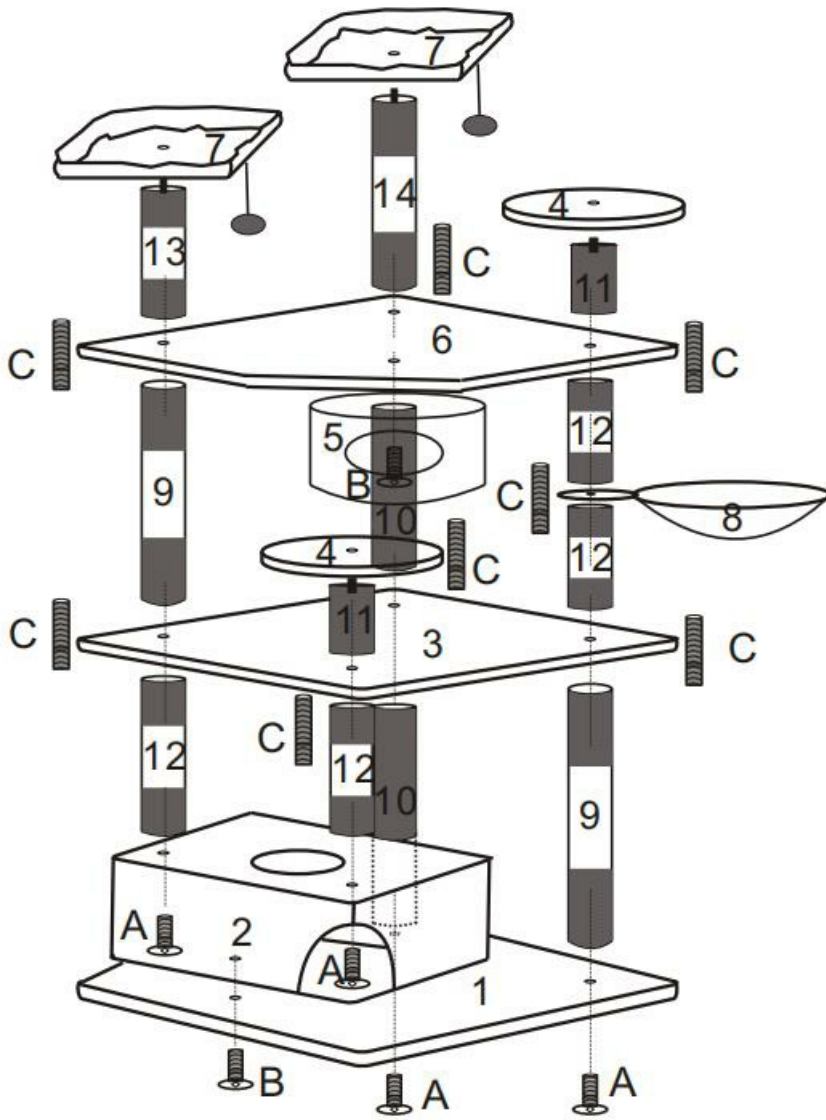


1PC SIZE \varnothing 67mm*240mm



1PC SIZE \varnothing 67mm*400mm

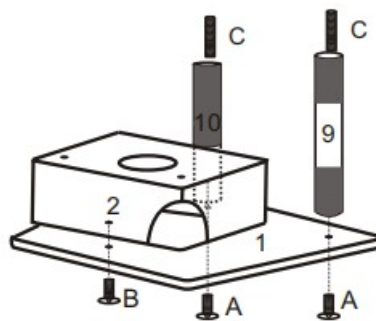
Accessory	Size	Quantity
 A	8mm*35mm	4pcs
 B	8mm*27mm	2pcs
 C	8mm*70mm	8pcs
	5MM	1pc



Instructions

Step 1.

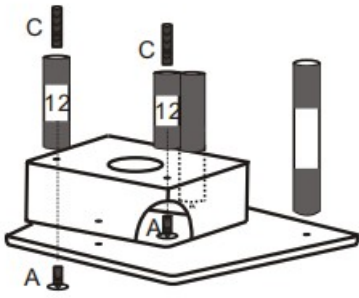
Screw the bottom board (No.1 x1) to the cat house (No.2 x1) using the hex key and screw (B x 1). Screw the two poles (No.9 x 1 & No.10 x 1) into the bottom board using the hex key and screws (A x 2). Insert the screws (C x 2)



into the top of the poles (No.9 x 1 & No.10 x 1).

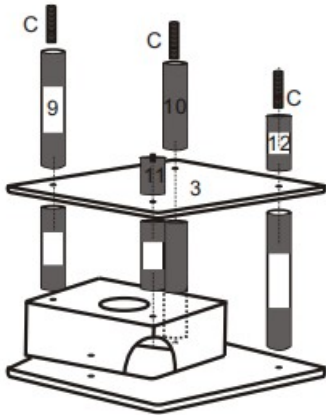
Step 2.

Screw poles (No.12 x 2) into the cat house (No.2 x 1) using the hex key and screws (A x 2). Insert the screws (C x 2) into poles (No.12 x 2).



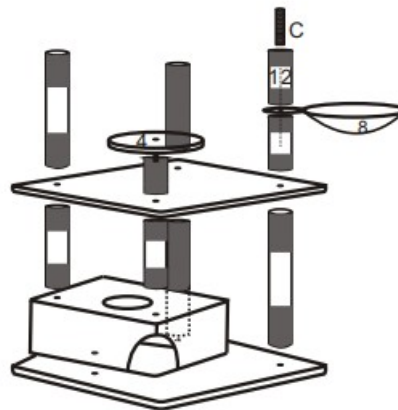
Step 3.

Place the middle board (No.3 x 1) on. Screw the four poles (No.9 x 1 & No.10 x 1 & No.11 x 1 & No.12 x 1) on screw C, then insert the screws (C x 3) into poles (No.9 x 1 & No.10 x 1 & No.12 x 1). Refer to the image below.



Step 4.

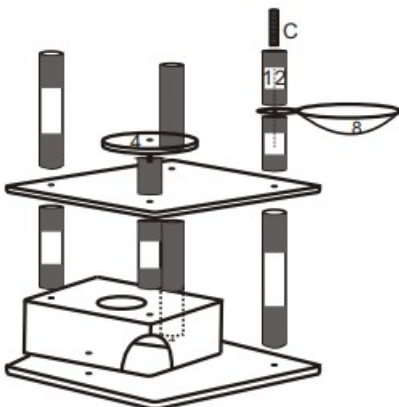
Screw round board (No.4 x 1) on screw C. Put the middle pet bed (No.8 x 1) on pole (No.12 x 1), screw pole (No.12 x 1)



1) on screw C, insert the screw (C x 1) into pole (No.12 x 1) .

Step 5.

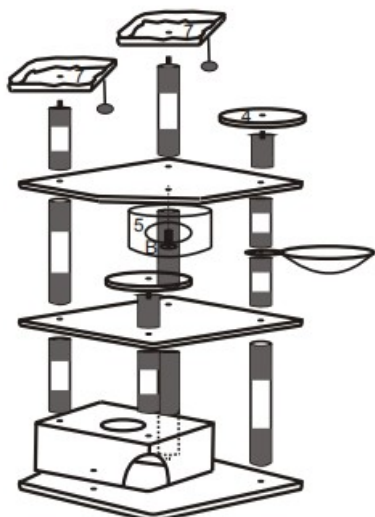
Put the top board (No.6 x 1) on. Screw three poles (No.11 x 1 & No.13 x 1 & No.14 x 1) on screw C as shown below.



Step 6.

Put the top board (No.6 x 1) on. Screw top square pet bed (No.7 x 2) on poles (No.13 x 1 & No.14 x 1), screw round

board (No.4 x 1) on pole (No.11 x 1). Using the Hex key and screw (B x 1) to screw-top board (No.6 x 1) together with the round cat house (No.5 x 1).



WARNING: Pet toy – Not intended for children.

It is the responsibility of the pet owner if this toy is suitable for their pet's style of play.

No pet toy is indestructible and can be damaged during play.

For your pet's safety, inspect regularly and remove if damaged.

Always supervise your pet during play.

Documents / Resources

anko

Cat Tower XL



[anko 43072910 Cat Tower XL](#) [pdf] Instructions
43072910, Cat Tower XL

Related Manuals / Resources



[anko Cat Tower Mesh Castle Instructions](#)

Cat Tower Mesh Castle Contents Cat Tower Mesh Castle * 1 pcs Cushion *
1 pcs Plastic Poles...



[anko Build Decorate Cubby Instructions](#)

Build & Decorate Your Own Cubby size: 130cm(H) x 90cm(W) x 110cm(D)
> includes. 1x cardboard cubby 1x...

[anko Stick Mixer Instructions](#)

anko Stick Mixer Instructions CAUTION: CAUTION-THIS PRODUCT
CONTAINS FUNCTIONAL SHARP EDGES,TAKE EXTRA CARE WHEN

HANDLING. KEEP OUT OF...



[anko 42968733 Laundry Folding Board Instructions](#)

260x185mm Laundry Folding Board opened: 59cm(H) x 72cm(W)) a convenient way to fold tops neatly INSTRUCTIONS INCLUDED...

[Manuals+](#),

- [home](#)
- [privacy](#)