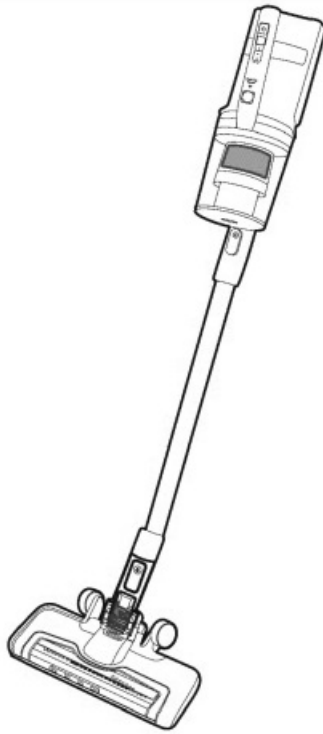


## amazon basics B09NS4RVQ9 2 In 1 Cordless Vacuum Cleaner User Manual

[Home](#) » [amazon basics](#) » amazon basics B09NS4RVQ9 2 In 1 Cordless Vacuum Cleaner User Manual 

amazon basics B09NS4RVQ9 2 In 1 Cordless Vacuum Cleaner



## Contents

- 1 Important Safety Instructions
- 2 Battery Warnings
- 3 Intended Use
- 4 Specifications
  - 4.1 Appliance
- 5 Appliance Description
- 6 Before First Use
- 7 Charging the Appliance
- 8 Operation
  - 8.1 Accessories function
  - 8.2 Attaching accessories
  - 8.3 Detaching accessories
  - 8.4 Switching on/off
- 9 Mounting the Wall Bracket
- 10 Cleaning and Maintenance
  - 10.1 Cleaning
  - 10.2 Storage
  - 10.3 Maintenance
  - 10.4 Replacement parts
  - 10.5 Frequently Asked Questions
- 11 Disposal (for Europe only)
- 12 Battery Disposal
- 13 Feedback and Help
- 14 Documents / Resources
  - 14.1 References
- 15 Related Posts

## Important Safety Instructions



Read these instructions carefully and retain them for future use. If this appliance is passed to a third party, then these instructions must be included.

When using electrical appliances, basic safety precautions should always be followed to reduce the risk of fire, electric shock, and/or injury to persons including the following:



**WARNING** Risk of electric shock! For the purposes of recharging the battery, only use the detachable supply unit (i.e. battery charger model: MC2508B-V) provided with this appliance.

- This appliance can be used by children aged from 8 years and above and persons with reduced physical, sensory or mental capabilities or lack of experience and knowledge if they have been given supervision or instruction concerning use of the appliance in a safe way and understand the hazards involved. Children shall not play with the appliance. Cleaning and user maintenance shall not be made by children without supervision.
- Children should be supervised to ensure that they do not play with the appliance.
- The plug must be removed from the socket-outlet before cleaning or maintaining the appliance.
- The appliance is only to be used with the power supply unit (i.e. battery charger model: MC2508B-V) provided with the appliance.
- The appliance must only be supplied at safety extra low voltage corresponding to the marking on the appliance.
- The supply cord cannot be replaced. If the cord is damaged the battery charger should be scrapped.
- Never use the appliance without the dust cup and filters installed. This could damage the motor and shorten the appliance's lifespan.
- Never use any of the nozzle or brushes on people animals or plants.
- Do not vacuum up anything which has been burning or smoking such as cigarettes ashes or matches.
- Do not vacuum up any water liquid or damp dirt.
- Do not vacuum up any inflammable or combustible liquids or gases and do not vacuum in areas where such substances are stored.
- Keep body parts and clothing away from any openings or moving parts of the appliance.
- Switch off the appliance before attaching, removing and cleaning the accessories.
- Use only authorized accessories and replacement parts.
- Use extra care when vacuuming on stairs.
- Do not charge the appliance outdoors.
- Do not charge or store the appliance near heat sources.
- Unplug the battery charger when not In use for extended periods.
- The LED front lights of the motorised cleaning head are not replaceable.



- This battery charger is classified as protection class II. This means the battery charger is equipped with reinforced or double insulation between the mains supply circuit and the output voltage or the casing. Therefore it does not require a safety connection to an electrical earth (ground).

## Battery Warnings



**CAUTION Risk of explosion!** Risk of explosion if the battery is replaced by an incorrect type.

- This appliance contains battery that is only replaceable by skilled persons.
- Before disposal, the battery must be removed from the appliance. Contact qualified professional.
- Do not leave the battery charging for a prolonged period of time when the appliance is not in use.
- Do not charge the battery overnight.
- If the appliance appears to be bulging or shows other undesirable phenomena (e.g. excess noise), stop using the appliance immediately.
- Do not cover the appliance while charging the battery. Charge the appliance in a well-ventilated environment
- When in long term storage, charge the battery to its 70 % capacity once every 3 months to avoid shortening its life.
- Batteries produce heat when charging and discharging. If the appliance becomes too hot to touch, switch the appliance off and unplug immediately.
- If the battery leaks, avoid contact with skin and eyes. Rinse affected areas immediately with plenty of clean water, then consult a doctor.

## Intended Use

- This appliance is intended for dry vacuuming only. It is suitable for hard floors, carpets, furniture and similar surfaces.
- This appliance is intended for household use only.
- This appliance is intended to be used in dry indoor areas only.

## Specifications

### Appliance

Model number	B09NS4RVQ9(V18P01CP25EU)	B09NS53XPN(V18P01CP25EU-BL DC)
Rated voltage	25.2 V==	25.2 V==
Rated power	150W	350W
Battery type / capacity	Li-ion, 2000 mAh	Li-ion, 2000 mAh
Charging time	4 to 6 hours	4 to 6 hours
Operating time	15 minutes (on <b>Normal</b> setting);40 minutes (on <b>Slow</b> setting)	8 minutes (on high setting <b>3</b> );25 (on medium setting <b>2</b> );55 minutes (on low setting <b>1</b> )
Dust cup capacity	0.7 L	0.7 L
Vacuum power	9 kPa	20 kPa
Filtration efficiency	95%	95%
Protection class	III	III
Net weight	approx. 2.6 kg	approx. 2.6 kg
Dimensions (W x H x D)	approx. 25.3 x 109 x 22.3 cm	approx. 25.3 x 109 x 22.3 cm

<b>Battery charger</b>	
Model number	MC2508B-V
Input	100-240 V~, 50-60 Hz, 0.8 A
Output	25 V=0.8 A; 20 W 29 V=0.8 A; 23.2 W
Protection class	II
<b>Motorised cleaning head</b>	
Model number	EBT03F
Rated power	25.2V=10W

## Appliance Description

Handle

Charging socket

button (on/off)

Suction power control button

Suction power indicator

Battery level indicator

Motor unit

Dust cup release button

HEPA Filter

Dust cup

Suction tube

Crevice nozzle

Extendable dusting brush

Motorised cleaning head (with roller brush)

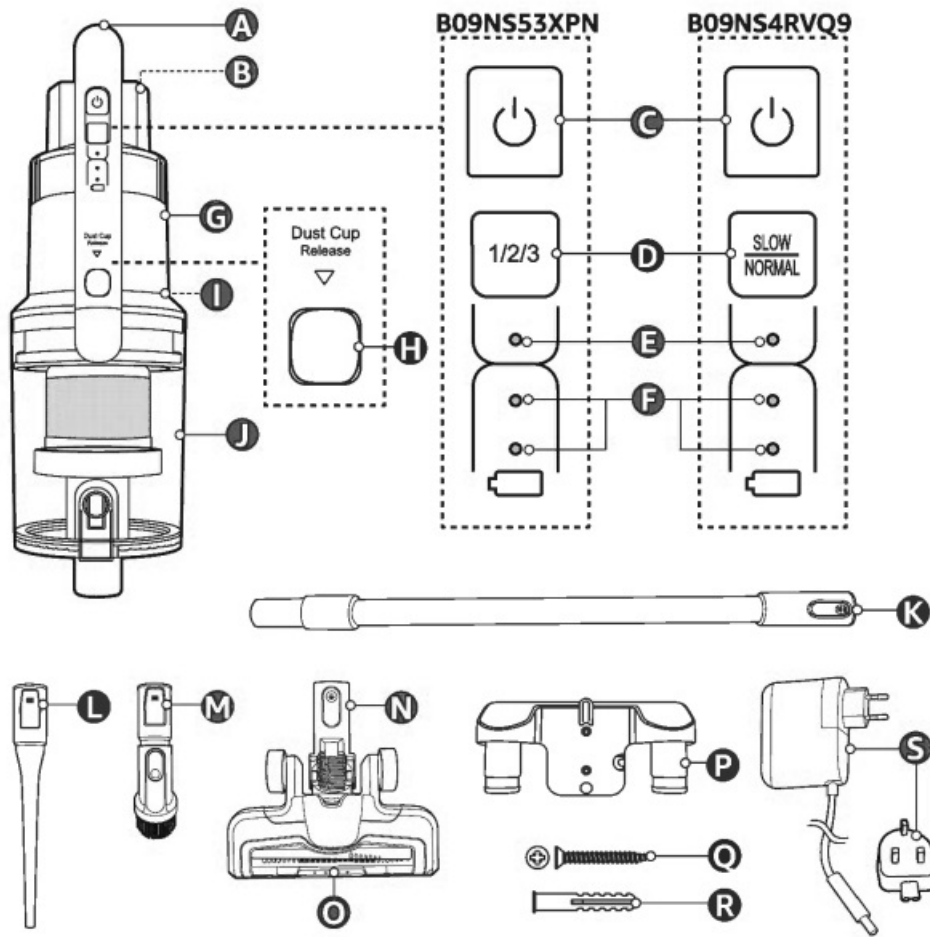
LED front lights

Wall bracket

Screw, x3

Wall plug, x3

Battery charger (with interchangeable EU and UK plug)



## Before First Use



**DANGER Risk of suffocation!** Keep any packaging materials away from children and pets – these materials are a potential source of danger, e.g. suffocation.

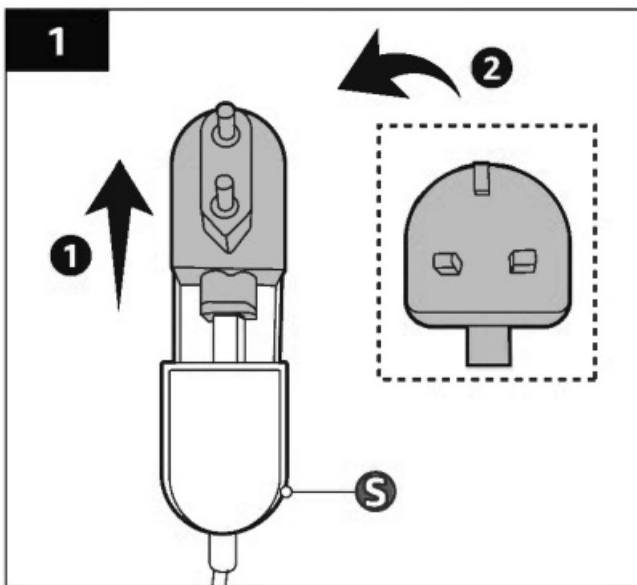
- Remove all the packing materials.
- Remove and review all components before use.
- Check the appliance for transport damages.
- Before charging, check that the power supply voltage and current rating correspond with the power supply details shown on the rating labels on the appliance and battery charger.
- Fully charge the appliance before using for the first time to activate maximum power in the battery.

## Charging the Appliance

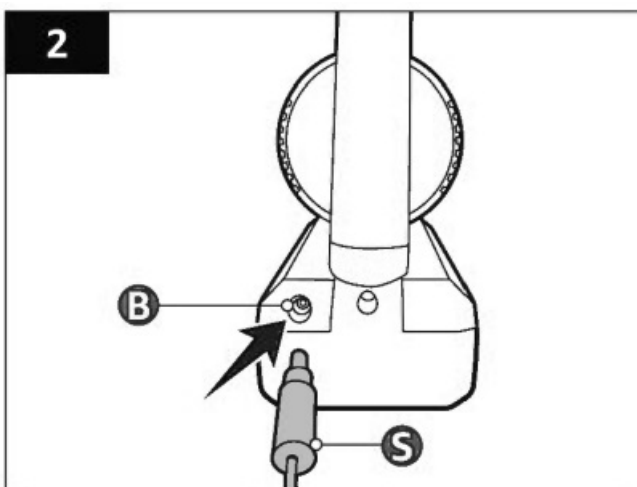
### NOTICE

- Fully charge the appliance before using it for the first time. It takes about 4 to 6 hours to fully charge the appliance.
- Charge the appliance when the suction power is noticeably weaker and when the lower battery level indicator (F) flashes.

1. Slide the suitable plug onto the battery charger (S) **(Fig.1)**.



2. Connect the cable of the battery charger (S) to the charging socket (B) **(Fig.2)**.



3. Connect the plug of the battery charger (S) to a suitable socket-outlet.

The battery level indicators (F) keep flashing until charging has finished.

4. Allow 4 to 6 hours to fully charge the appliance completely until the battery level indicators (F) go off.

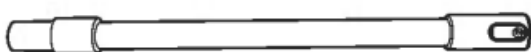
5. Disconnect the battery charger (S) from the charging socket (B) and from the socket-outlet.

## Operation

### Accessories function

- Suitable for floor cleaning and hard-to reach areas.
- Assemble the suction tube (K) between the motor unit (G) and the desired brush or nozzle (L/ M/ N).
- It is not recommended to use the suction tube (K) for cleaning carpeted stairs, upholstery or car seats.

### Suction tube (K)



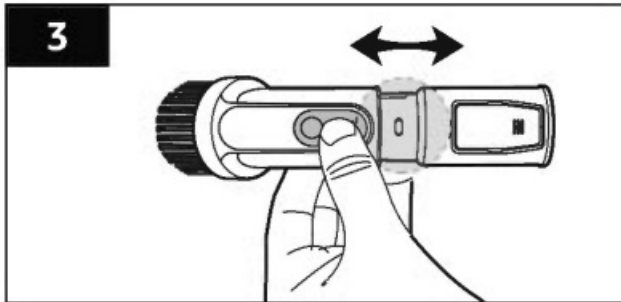
- Suitable for cleaning in folds, crevices or corners.
- Suitable for hard-to-reach areas, such as behind furniture and between and under car seats.

### Crevice nozzle (L)

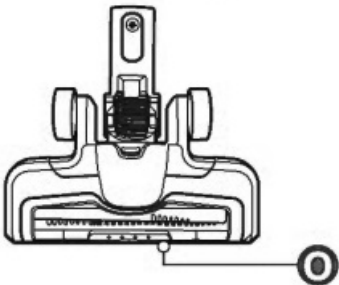


- Suitable for cleaning window blinds, shelves, upholstery and wooden surfaces.
- Press the unlock button and pull to extend  
(Fig.3), if needed.

#### Extendable dusting brush (M)



- Suitable for all normal cleaning of carpets, rugs and hard flooring.
- The motorised cleaning head (N) is equipped with LED front lights (O) for additional light on the working surface.
- When using the motorised cleaning head (N), do not use it at head height. Motorised cleaning head (N)

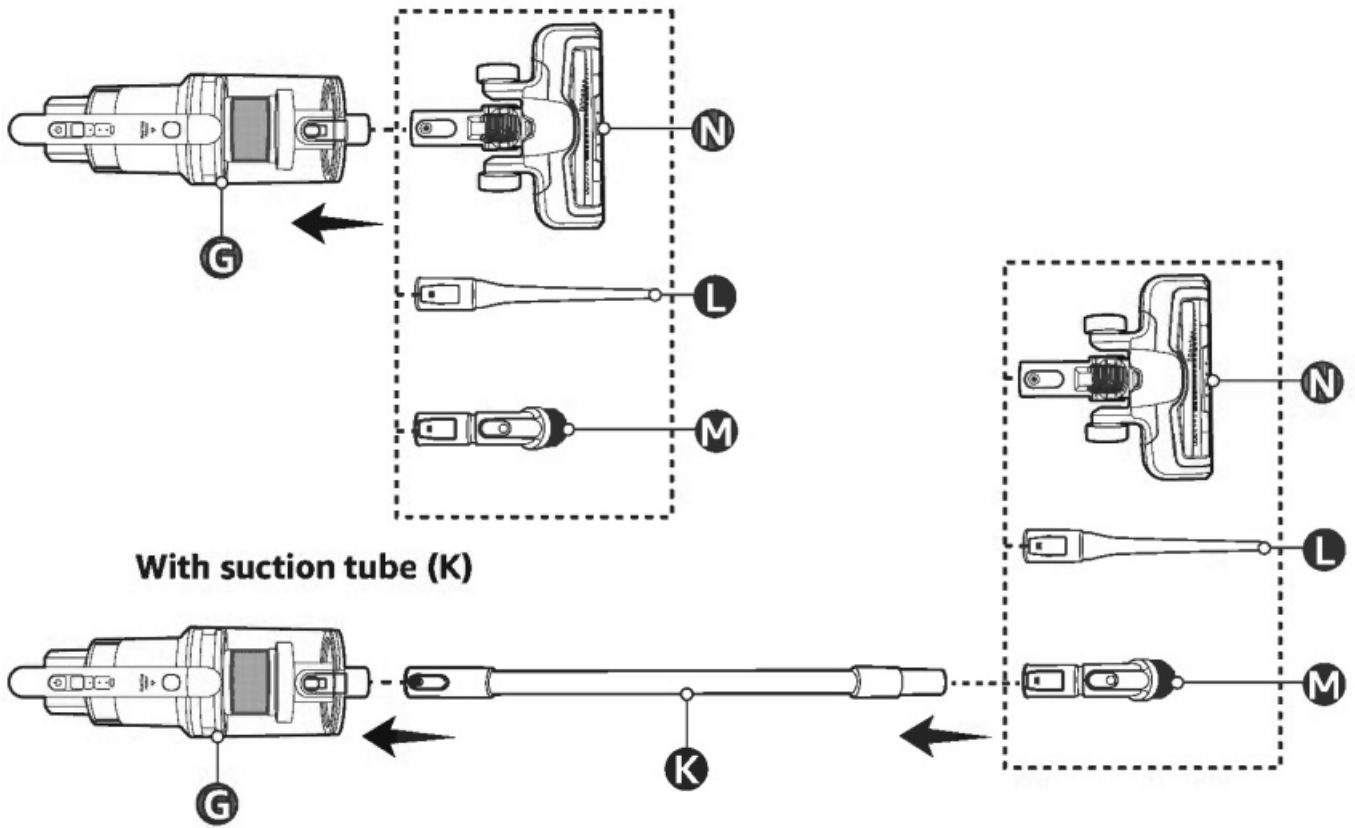


#### Attaching accessories

**NOTICE** The appliance can be used with or without suction tube (K). Attach the crevice nozzle (L), extendable dusting brush (M) or motorised cleaning head (N) to the motor unit (G). Attach the suction tube (K) in between when needed (Fig. 4).

#### 4 Without suction tube (K)

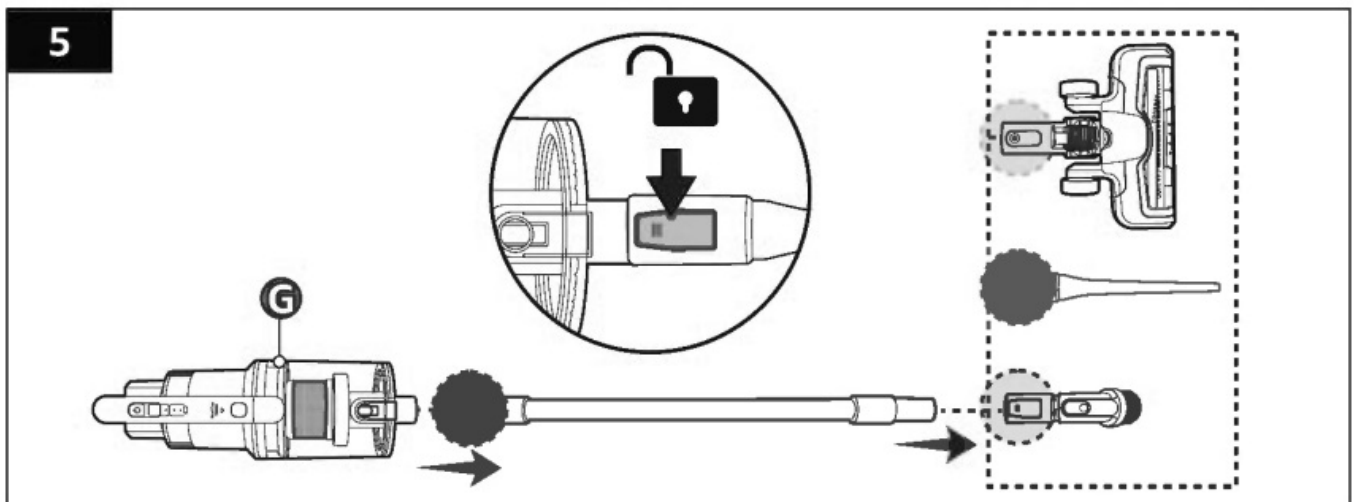





#### Detaching accessories

#### NOTICE

Press the release button on the parts and pull to detach them from the motor unit (G) **(Fig. 5)**.



#### Switching on/off

1. Press the  button (C) to switch the appliance on.
2. Press the suction power control 1 2 3 button (D) to select the desired suction power.

**Model Setting Suction power Indicator (E) B09NS4RVQ9**

<b>SLOW</b>	<b>NORMAL</b>
Off	On

### Model Setting Suction power Indicator (E)

#### B09NS53XPN

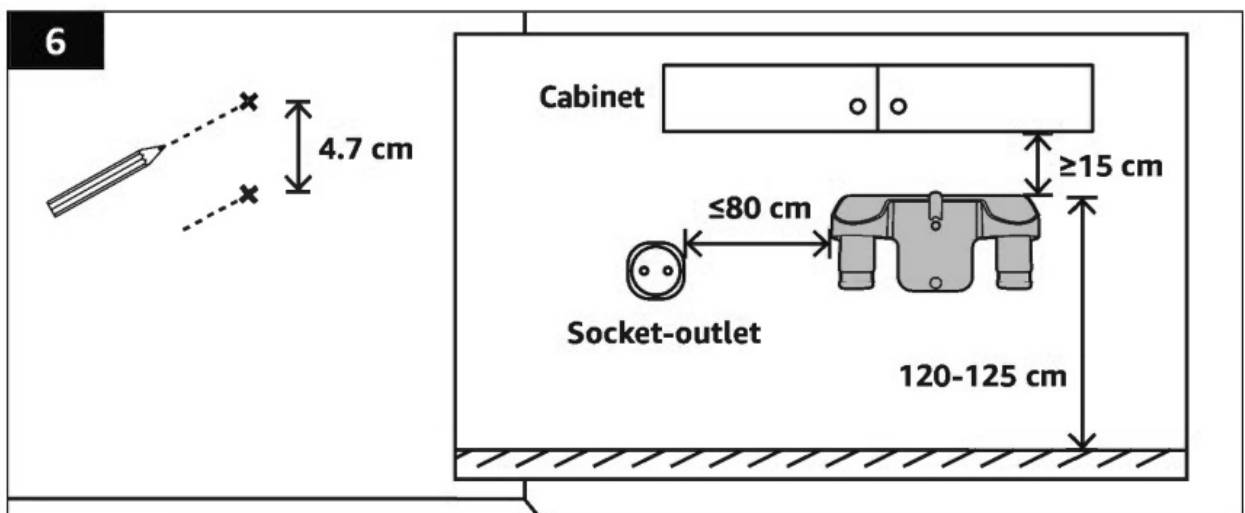
<b>1(Low)</b>	<b>2(Medium)</b>	<b>3(High)</b>
Off	Lights up white	Lights up blue

3. After use, press the 6 button (C) to switch the appliance off.

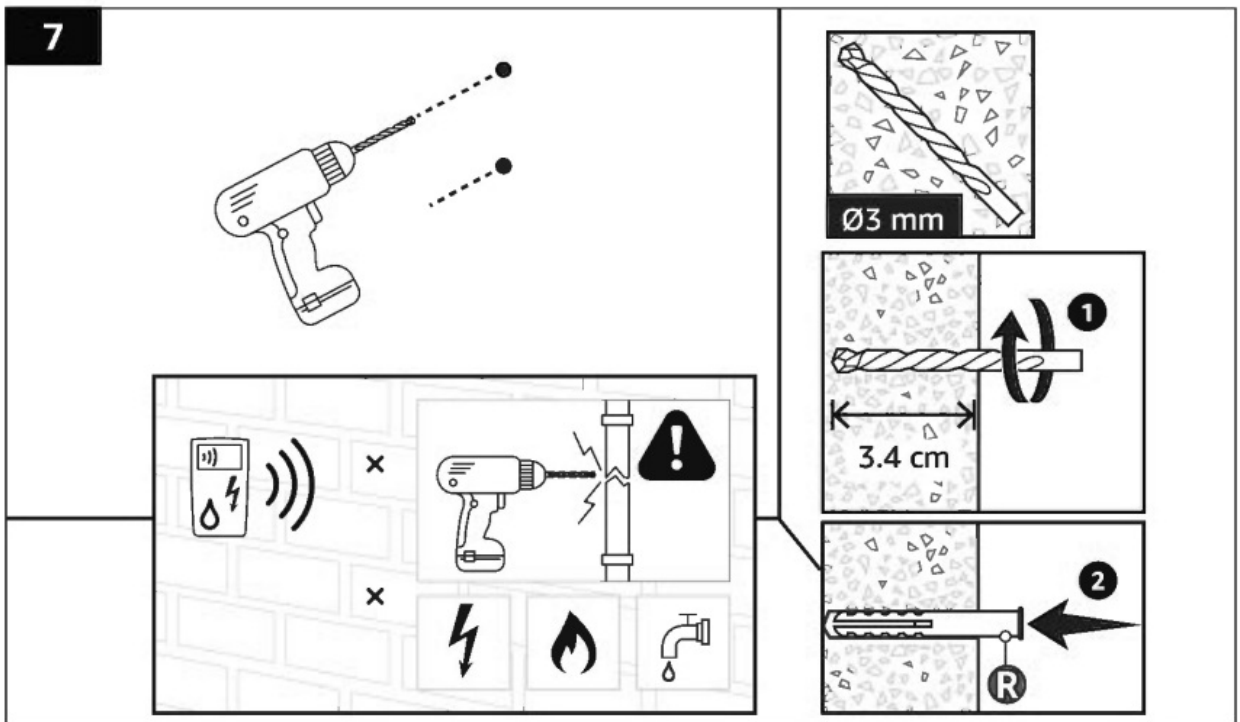
### Mounting the Wall Bracket

#### NOTICE

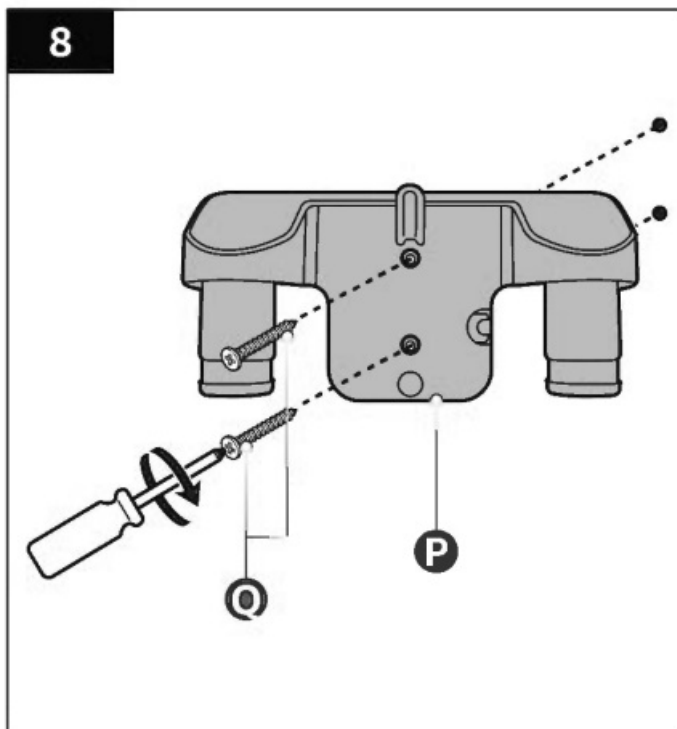
- This wall bracket (P) should be mounted only by an adult. If in doubt, consult a professional.
- Before mounting, determine the suitable mounting location. The wall bracket (P) must be fixed to a wooden or masonry/concrete wall using fasteners that are appropriate for the mounting surface. Do not install on drywalls, wall boards or thin plywood. The mounting surface must be capable of supporting the weight of the appliance and its accessories.
- Do not drill into any pipes or power lines beneath the surface during mounting holes preparation. Use voltage/metal detector before drilling any holes to eliminate any such potential risks.
- Do not hang anything other than the appliance and its accessories on the wall bracket (P).
- Mount the wall bracket on a suitable location near a suitable socket-outlet for charging the appliance.
  1. Mark the positions of the screw holes at the desired height (**Fig. 6**).



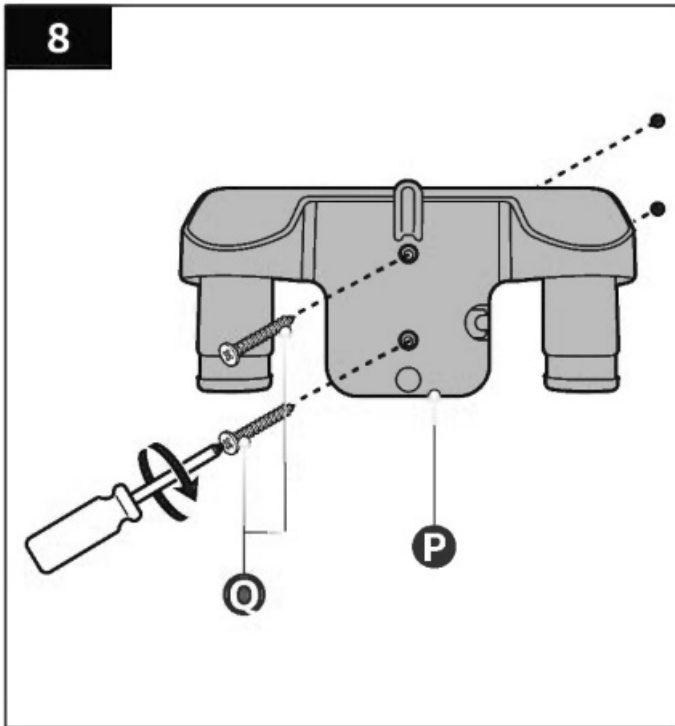
2. Drill the holes. Insert the wall plugs (R) for concrete walls (**Fig. 7**).



3. Mount the wall bracket (P) on the wall with the 2 screws (Q) using a screwdriver (not included) **(Fig. 8)**.



4. Click the crevice nozzle (L) and extendable dusting brush (M) into place on the wall bracket (P) **(Fig. 9)**.  
To take out the part, press the release button and pull downwards.



5. Hang the motor unit (G) with the suction tube (K) and motorised cleaning head (N) on the hook.

## Cleaning and Maintenance



### WARNING

#### Risk of electric shock!

- To prevent electric shock, unplug the appliance before cleaning.
- During cleaning do not immerse the appliance in water or other liquids. Never hold the appliance under running water.

#### Cleaning

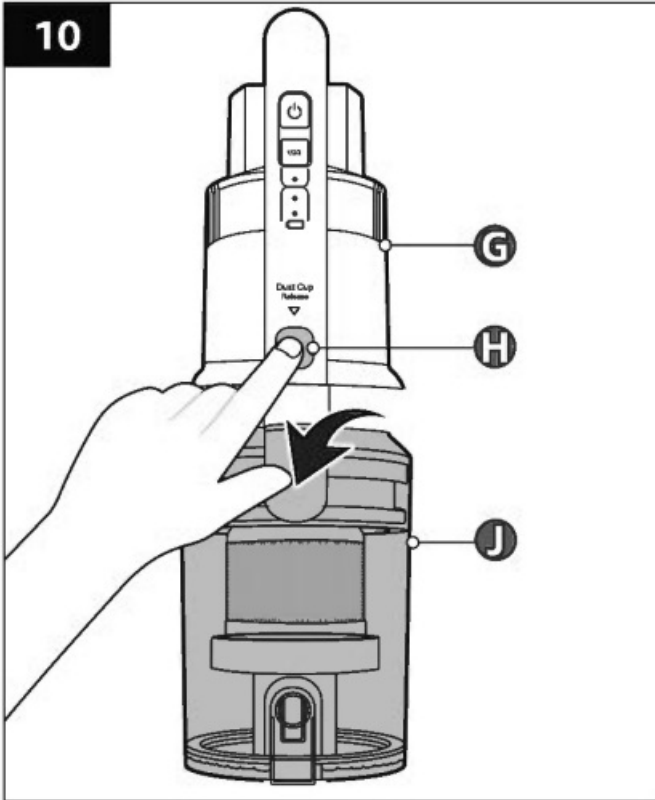
- To clean the appliance, wipe with a soft, slightly damp cloth.
- Wipe the appliance dry after cleaning.
- Never use corrosive detergents, wire brushes, abrasive scourers, metal or sharp utensils to clean the appliance.

#### Emptying the dust cup

#### NOTICE

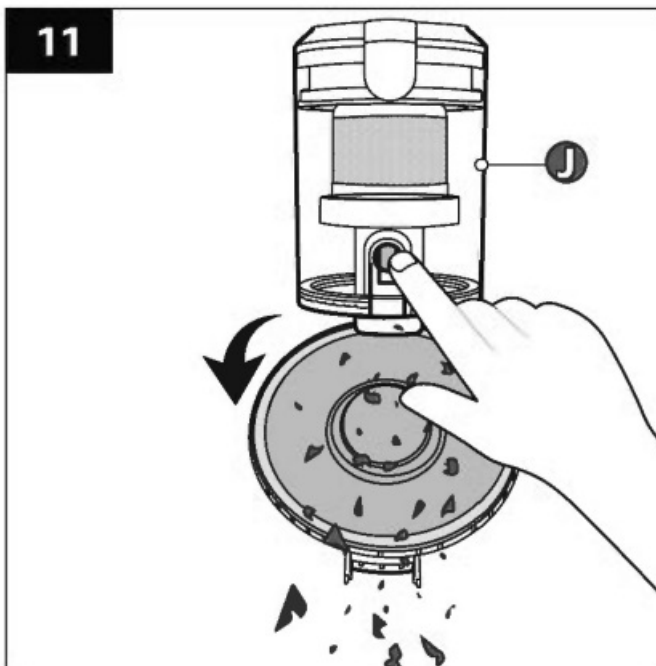
Empty the dust cup (J) when the amount of dust has reached the **MAX** marking.

1. Press the dust cup release button (H) to detach the dust cup (J) from the motor unit (G) (**Fig. 10**).



2. Hover the dust cup (J) on top of a trash bin.

Press the unlock button to dispose of the contents in the dust cup (J) (**Fig. 11**).

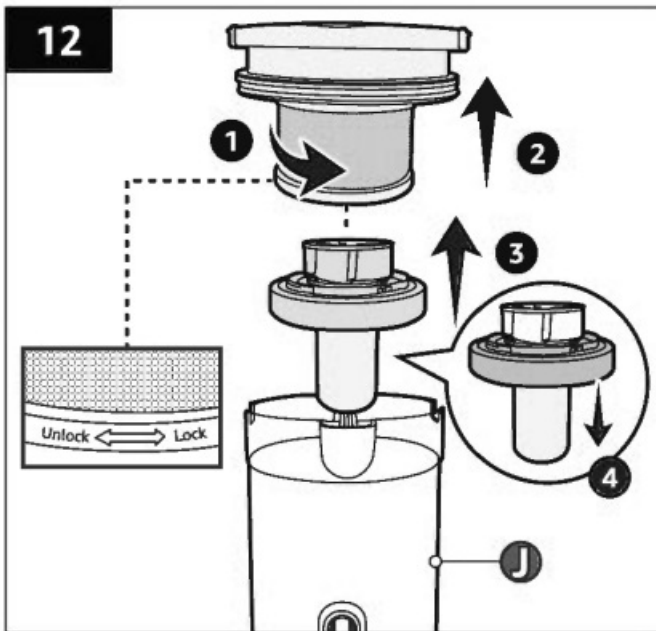


3. Close the cover of the dust cup (J). Refit the dust cup (J) to the motor unit (G).

### Cleaning the dust cup

**NOTICE** Empty the dust cup (J) before cleaning it.

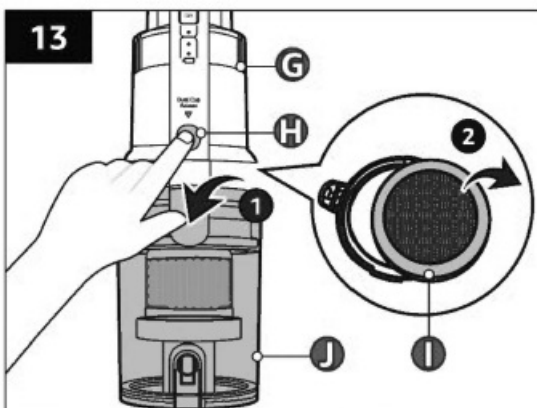
1. Disassemble the filter parts from the dustup (J) (**Fig. 12**).



2. Clean the filter parts and the dust cup (J) using water and mild detergent.
3. Dry the parts thoroughly before reassembling and refitting to the motor unit (G).

#### Cleaning the HEPA filter

1. Press the dust cup release button (H) to detach the dust cup (J) from the motor unit (G) **(Step 1, Fig. 13)**.
5. Remove the HEPA filter (I) on top of the dust cup (J) **(Step 2, Fig. 13)**.



6. Tap the HEPA filter (I) gently to remove any excess dust and debris.
7. Rinse the HEPA filter (I) with cold water.
8. Leave the HEPA filter (I) to dry completely for a minimum of 24 hours. Refit the HEPA filter (I) afterwards.

#### NOTICE

Replace the HEPA filter (I) every 3 months or when it is heavily soiled. Replace only with the compatible filter model stated in the following table.

#### Cleaning the motorised cleaning head

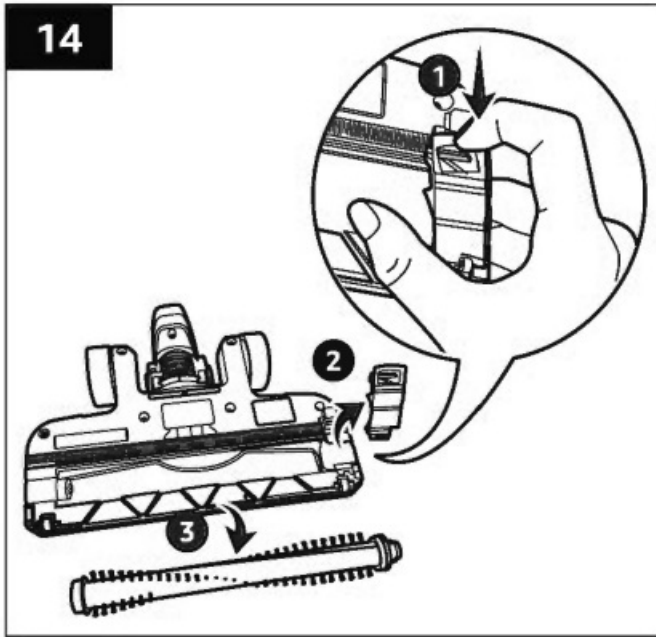
#### NOTICE

Regularly check the brush roll of the motorised cleaning head (N) for stubborn soiling such as trapped hair and thread. Clean the inside of the motorised cleaning head (N) when needed.

1. Remove the locking guard from the motorised cleaning head (N) by pressing the locking tab down **(Step 1, Fig. 14)**.
2. Take the brush roll out (Step 2, **Fig. 14**) and remove any threads, hair or debris tangled around the bristles with

a brush.

3. Refit the brush roll and the locking guard properly afterwards.



#### Storage

Store the appliance on the wall bracket (P) and charge when needed. Keep away from children and pets.

#### Maintenance

Any other servicing than mentioned in this manual should be performed by a professional repair centre.

#### Replacement parts

#### NOTICE

- Use only authorized accessories and replacement parts.
- Replacement parts can be requested from Amazon customer service. Go to "Orders" -> find the order with this product-> click "Get product support"-> click "Call me". Then, follow the on-screen instructions.

\*The terminology used on Amazon website may differ based on the languages used in the region.

<b>Parts</b>	<b>Part code</b>
Dust cup	B09NS53XPN:12175000A37286 B09NS4RVQ9:12175000A37291
HEPA filter	B09NS53XPN:12475000006248 B09NS4RVQ9:12475000A00541
Air outlet sponge	2475000006328
Charging base assembly	12175000082993
Battery charger	17475000A07727, 16075000A64974
Motorised cleaning head	12175000A27386, 16075000A64976
Suction tube	12975000011822
Crevice nozzle	12175000077578
Extendable dusting brush	12175000077577

### Frequently Asked Questions



Problem	Solution
The appliance does not switch on.	<ul style="list-style-type: none"> <li>• Charge the appliance with the supplied battery charger (S).</li> <li>• Disconnect the appliance from the battery charger (S).</li> </ul>
The appliance switches off suddenly.	<ul style="list-style-type: none"> <li>• The appliance overheats. Clear blockages from any of the accessories (K/ L/ M/ N) and clean dust cup (J) and filter (I). Allow the appliance to cool down for at least 30 minutes before switching it on.</li> </ul>
Suction power becomes weak.	<ul style="list-style-type: none"> <li>• Empty and clean the dust cup (J).</li> <li>• Clean the HEPA filter (I) •</li> <li>• Clear blockages from any of the accessories (K/ L/ M/ N) .</li> </ul>
Motorised cleaning head (N) does not rotate.	Check the motorised cleaning head (N) for debris and clean it properly.
Motor unit (G) is abnormally noisy.	<ul style="list-style-type: none"> <li>• Switch the appliance off and check for blockages.</li> <li>• Empty and clean the dust cup (J).</li> <li>• Clean the HEPA filter (I).</li> </ul>
Dust comes out from the motor unit (G).	<ul style="list-style-type: none"> <li>• Clean the HEPA filter (I).</li> <li>• Fit the HEPA filter (I) properly on top of the dust cup (J).</li> </ul>

## Disposal (for Europe only)



■ The Waste Electrical and Electronic Equipment (WEEE) laws aim to minimise the impact of electrical and electronic goods on the environment and human health, by increasing re-use and recycling and by reducing the amount of WEEE going to landfill. The symbol on this product or its packaging signifies that this product must be disposed separately from ordinary household wastes at its end of life. Be aware that this is your responsibility to dispose of electronic equipment at recycling centres in order to conserve natural resources. Each country should have its collection centres for electrical and electronic equipment recycling. For information about your recycling drop off area, please contact your related electrical and electronic equipment waste management authority, your local city office, or your household waste disposal service.

## Battery Disposal

Contact an authorised service center to remove the battery before disposal of the appliance:

1. Remove the battery from the appliance.
2. Insulate the metal contacts with adhesive tape to prevent short circuits.



Do not dispose of used batteries with your household waste. Take them to an appropriate disposal/collection site.

## Feedback and Help

We would love to hear your feedback. To ensure we are providing the best customer experience possible, please consider writing a customer review.



[amazon.co.uk/review/review-your-purchases#](https://amazon.co.uk/review/review-your-purchases#)


If you need help with your Amazon Basics product, please use the website or number below.



[amazon.co.uk/gp/help/customer/contact-us](https://amazon.co.uk/gp/help/customer/contact-us)

# amazon basics

## Documents / Resources

	<p><a href="#">amazon basics B09NS4RVQ9 2 In 1 Cordless Vacuum Cleaner</a> [pdf] User Manual B09NS4RVQ9 2 In 1 Cordless Vacuum Cleaner, B09NS4RVQ9, 2 In 1 Cordless Vacuum Cleaner, Cordless Vacuum Cleaner, Vacuum Cleaner, Cleaner</p>
---	--

## References

- [User Manual](#)