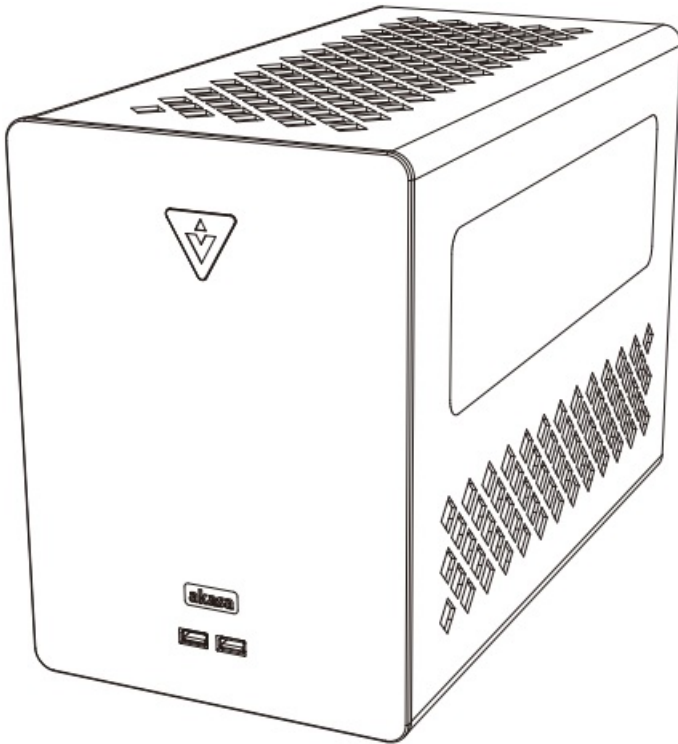


akasa A-NUC77-A1B Cypher HDB User Manual









Contents

- [1 User Manual](#)
 - [1.1 Contents](#)
 - [1.2 Front Panel](#)
 - [1.3 Internal cable connectors](#)
 - [1.4 Installation](#)
- [2 Documents / Resources](#)
- [3 Related Posts](#)

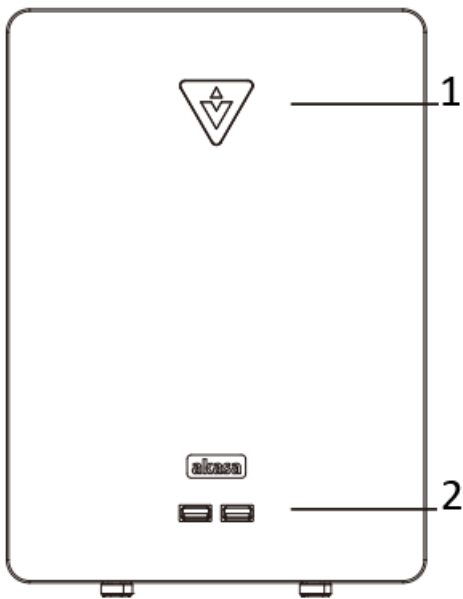
User Manual

Product Code: A-NUC77-A1B / A-NUC77-M1B

[Contents](#)

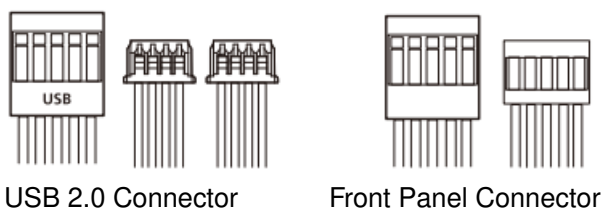
<p>1</p>  <p>x5</p>	<p>2</p>  <p>(Spare part x1) (Pre-installed x 4)</p>	<p>3</p>  <p>(Pre-installed x1)</p>
<p>4</p> 	<p>5</p>  <p>x3</p>	<p>6</p>  <p>x2</p>

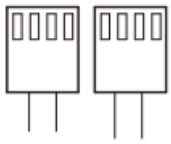
Front Panel



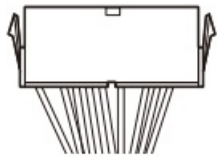
- 1. Power Switch & LED light
- 2. USB 2.0 Ports

Internal cable connectors





Fan 4-pin Connector



24-pin PSU Connector

Connect the case internal cable connectors to the corresponding Compute Element headers.

NOTE : If the connectors are not apparent on the board, do consult your Compute Element manual. Connecting the panel to the wrong headers may result in Compute Element damage.

CAUTION

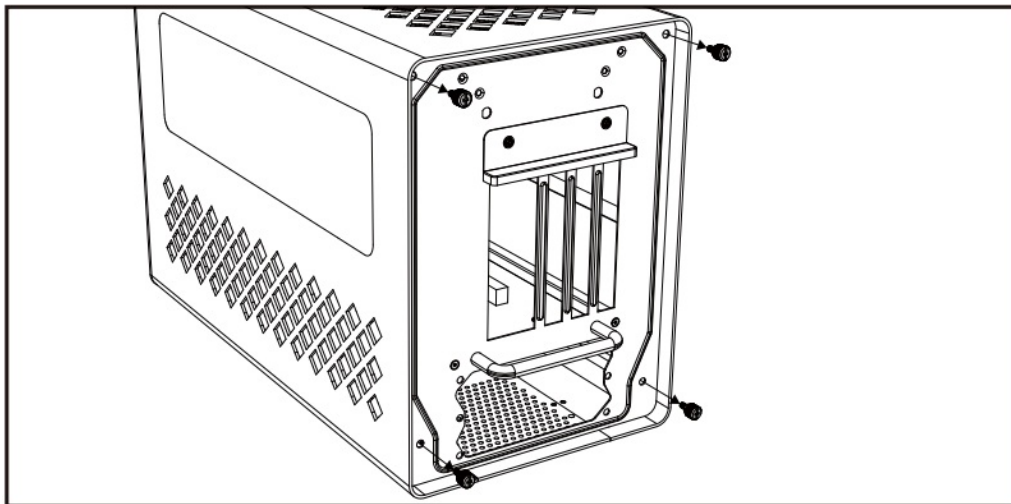
Electrostatic discharge (ESD) can damage system components. If an ESD-controlled workstation is not available, wear an antistatic wrist strap or touch an earthed surface before handling any PC components.

WARNING

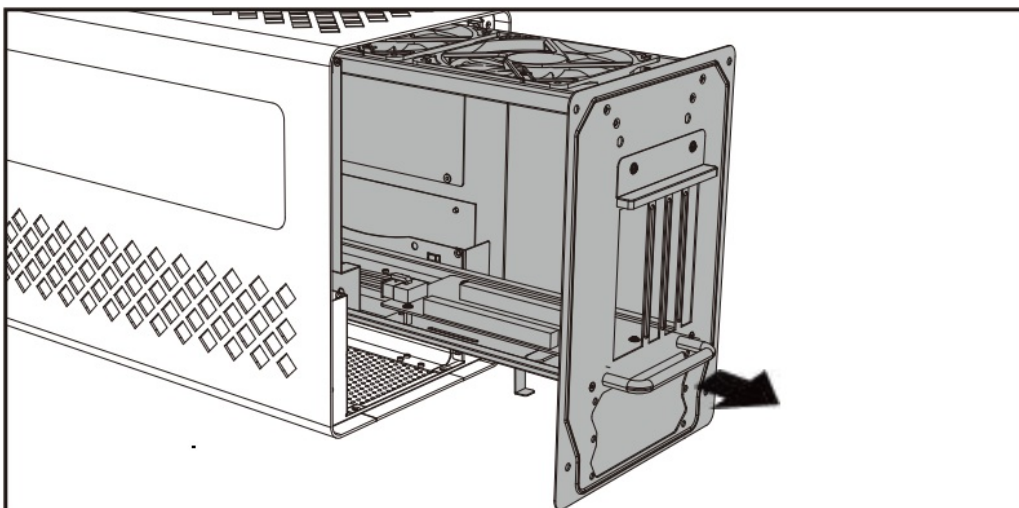
Please be careful when unpacking and setting up this product as metal edges can cause injury if not handled with care. Keep away from children.

Installation

Component Tray Release



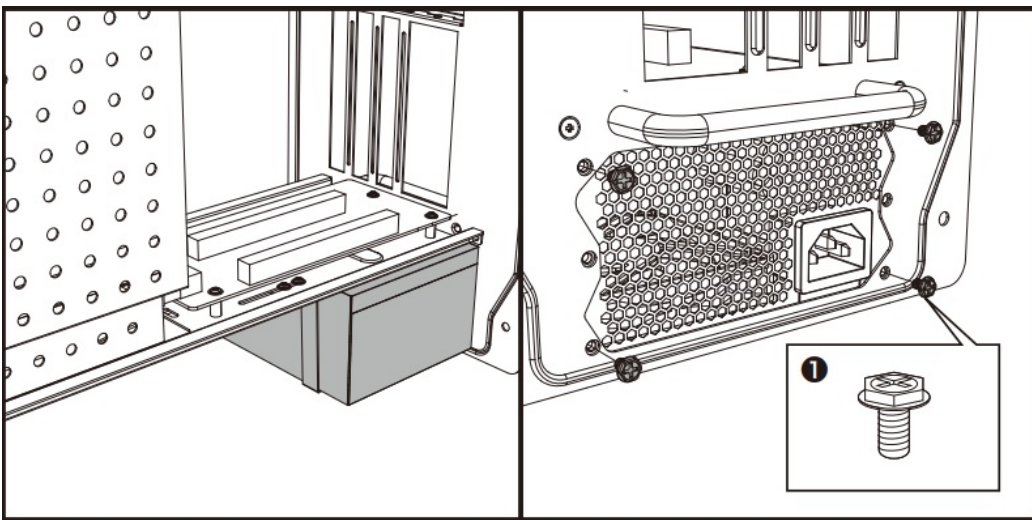
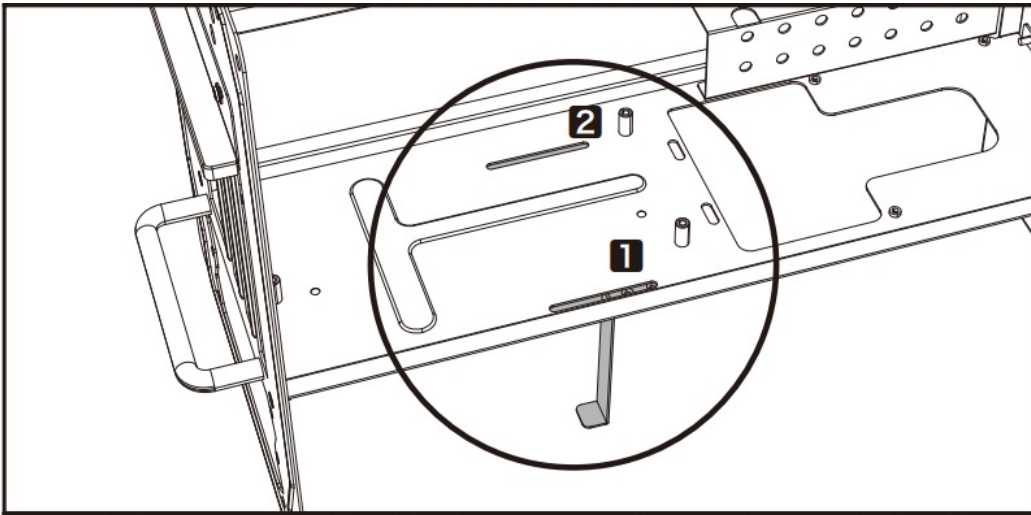
Component Tray Pullout



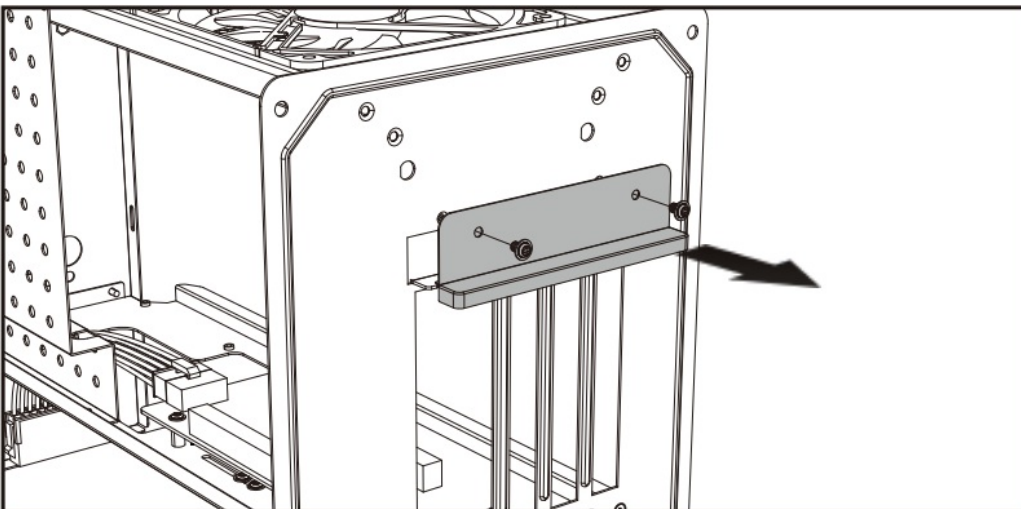
PSU Installation

Check the orientation of the PSU cable. Position the PSU hold bracket on position **1** or **2** which is on the opposite

end of the cable.

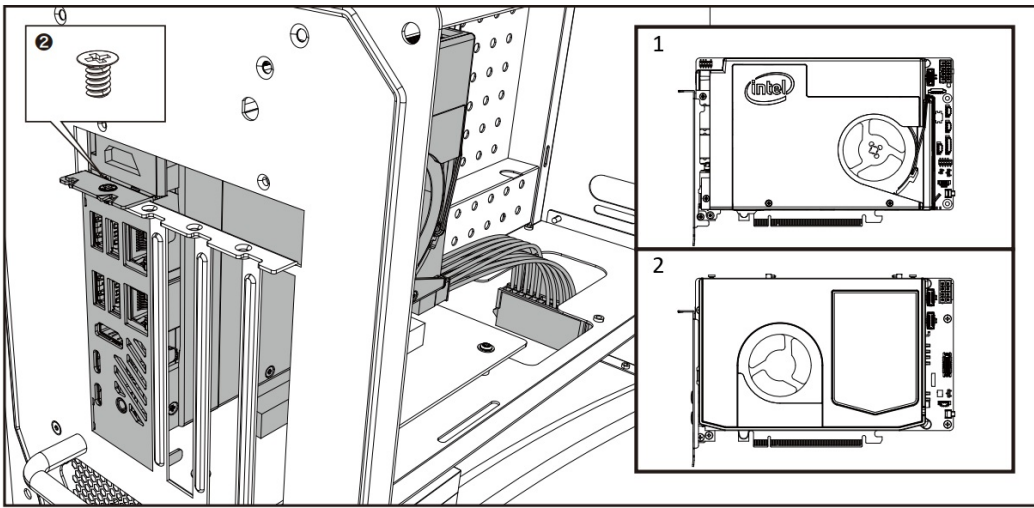


Backplate Cover Removal



Intel® Compute Element-H

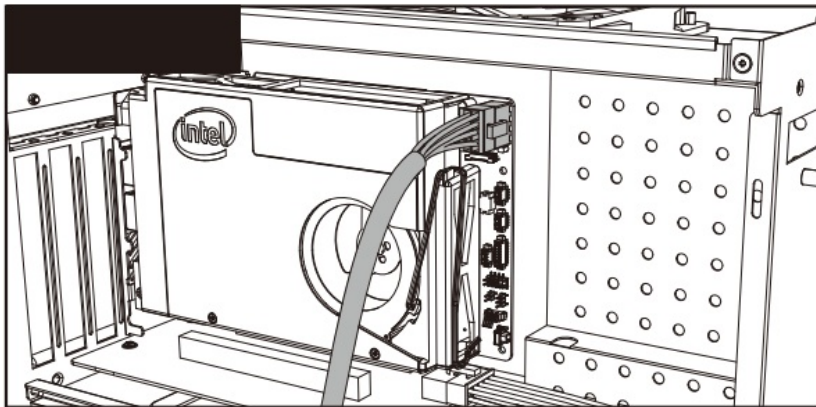
NUC 9th / NUC 11th



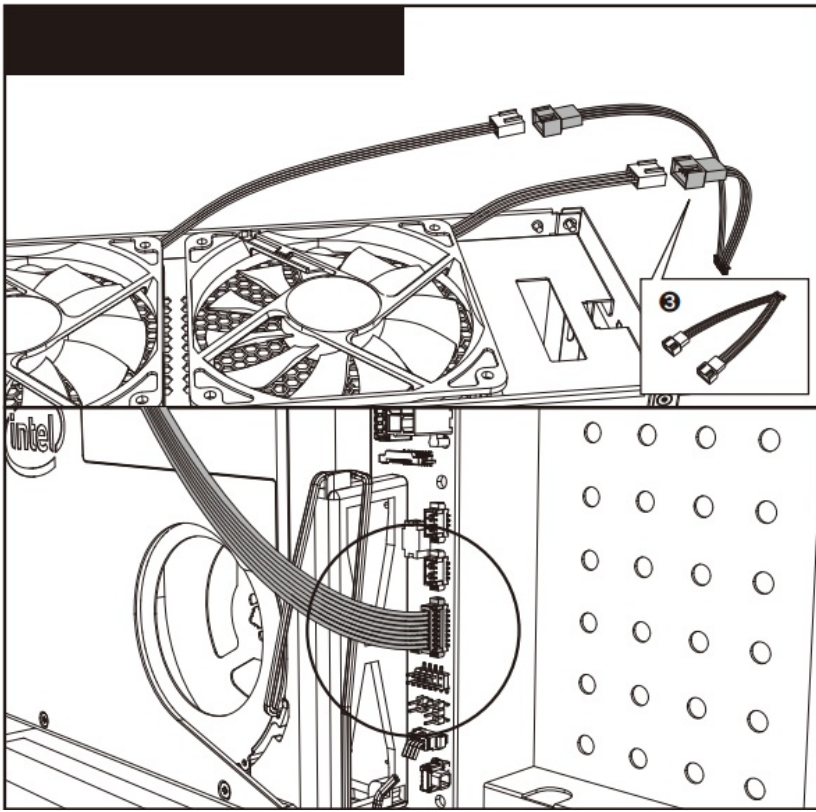
1. NUC 9 Extreme/Pro
2. NUC 11 Extreme

NUC 9 Extreme/Pro Connectors & Headers

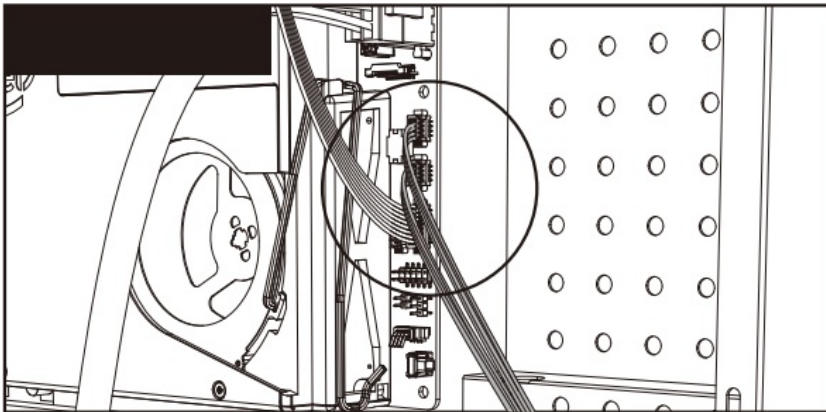
Power Connector



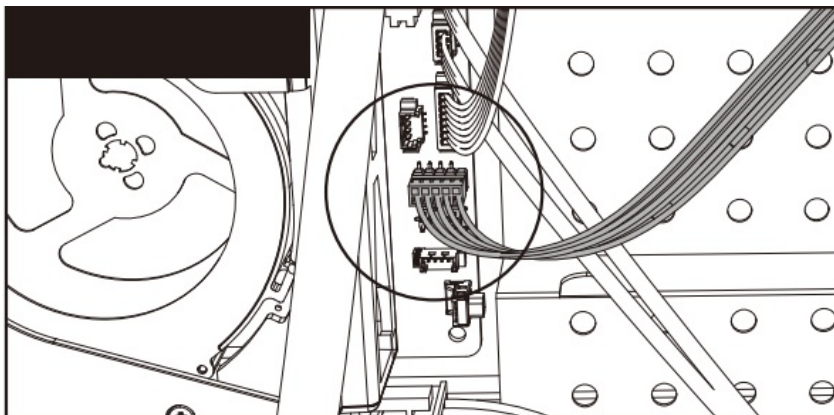
Fan Connector (Pre-installed)



USB 2.0 Connector

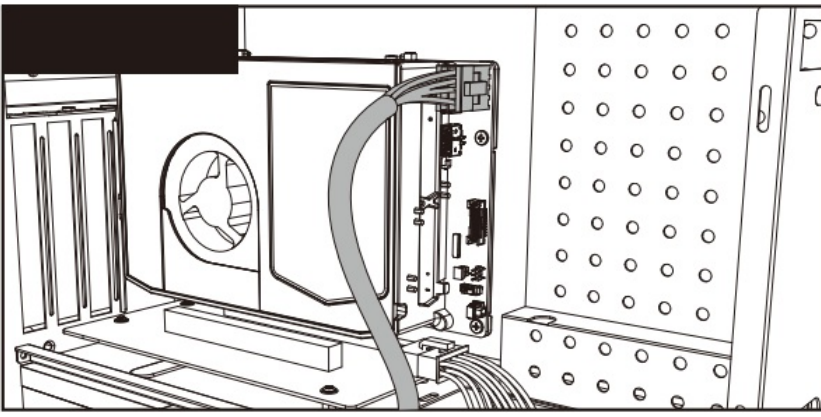


Front Panel Header

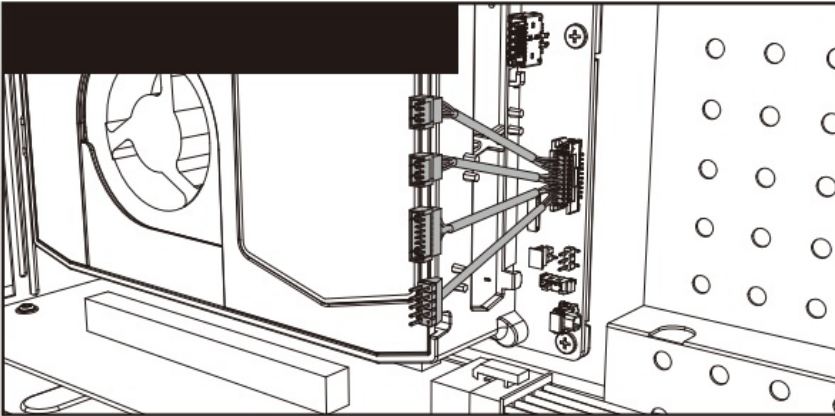


NUC 11 Extreme Connectors & Headers

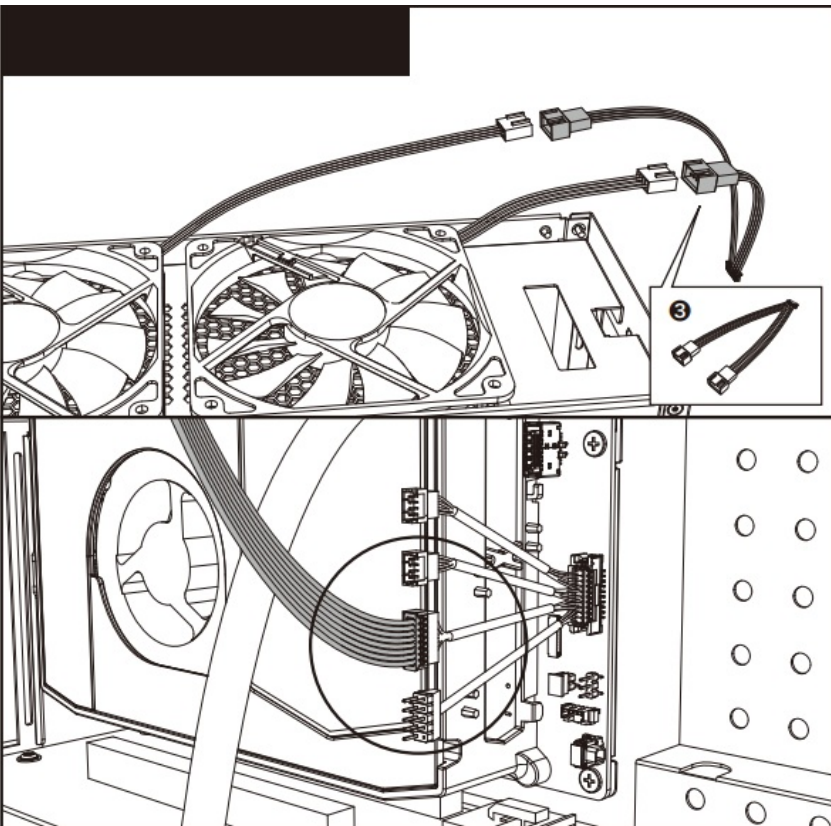
Power Connector



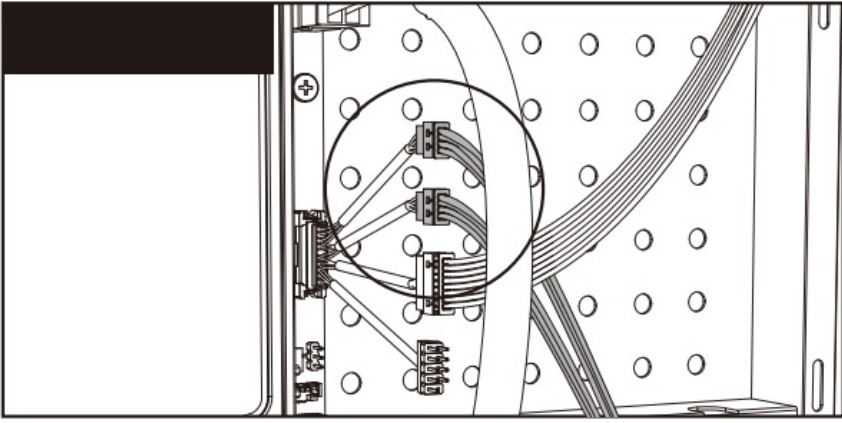
Fan-out Cable (Provided by Intel®)



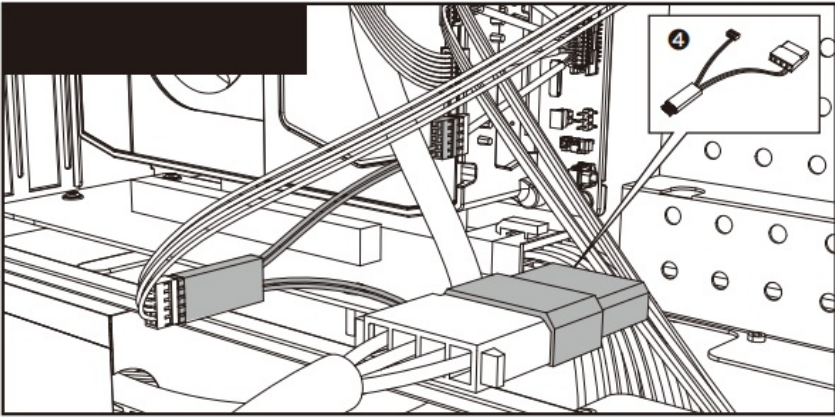
Fan Connector (Pre-installed)



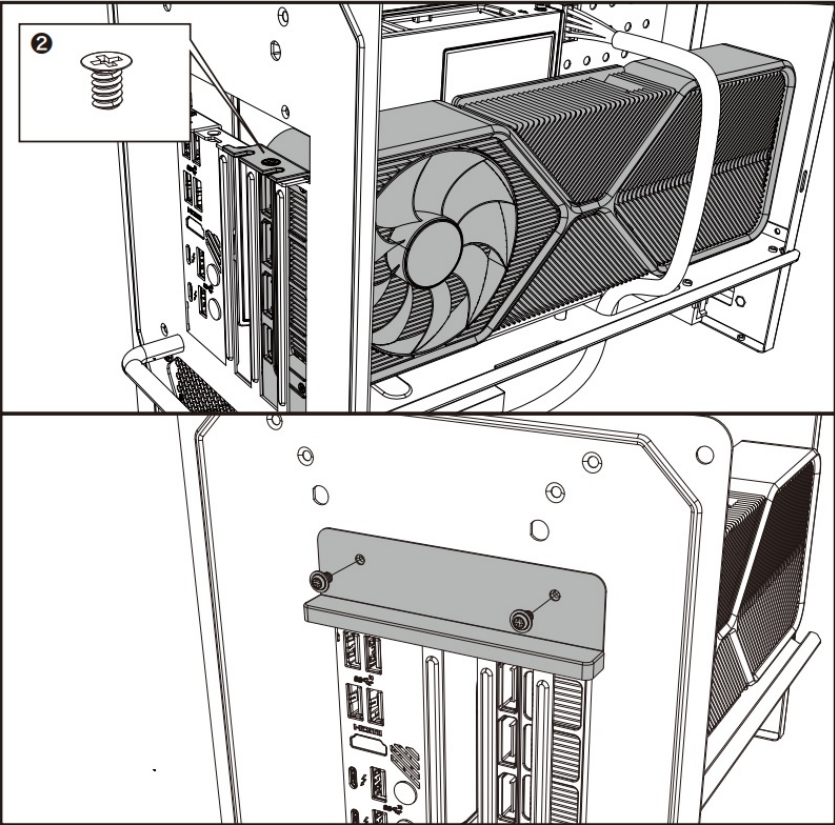
USB 2.0 Connector



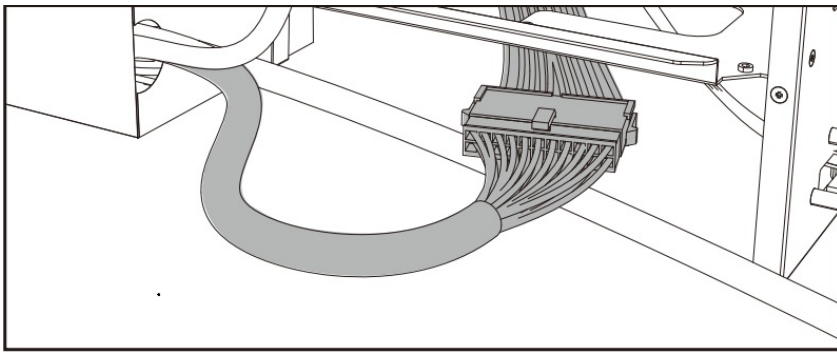
Front Panel Header



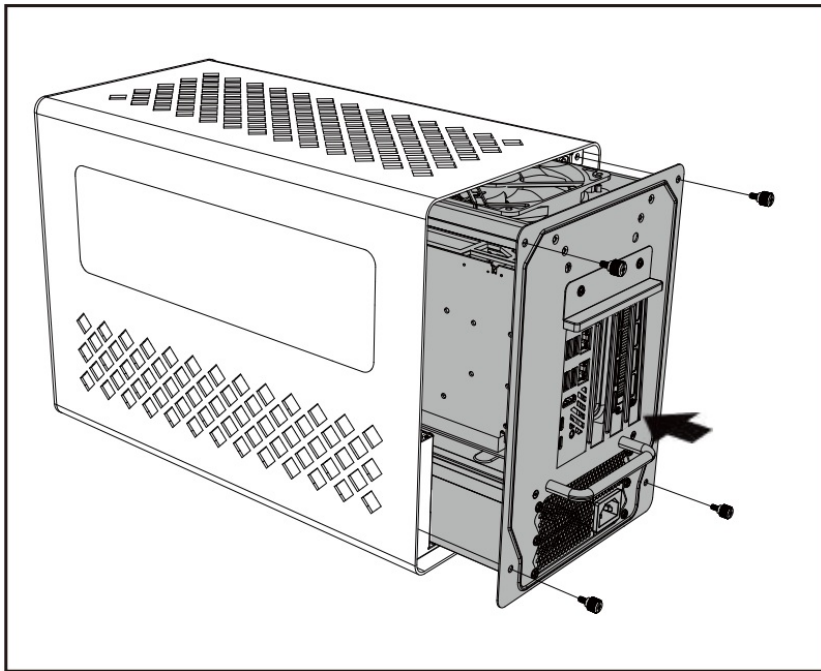
Graphics Card



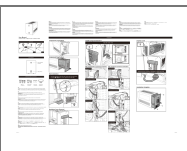
Baseboard Power Connector using 24-Pin to 10-Pin PSU Cable



Installation Complete



Documents / Resources

	<p>akasa A-NUC77-A1B Cypher HDB [pdf] User Manual A-NUC77-A1B, A-NUC77-M1B, A-NUC77-A1B Cypher HDB Premium Fully Aluminium Chassis, A-NUC77-A1B Cypher HDB, A-NUC77-A1B, Cypher HDB</p>
---	---