



Aisidra BA020 Bluetooth Transmitter Receiver User Guide

[Home](#) » [Aisidra](#) » Aisidra BA020 Bluetooth Transmitter Receiver User Guide 

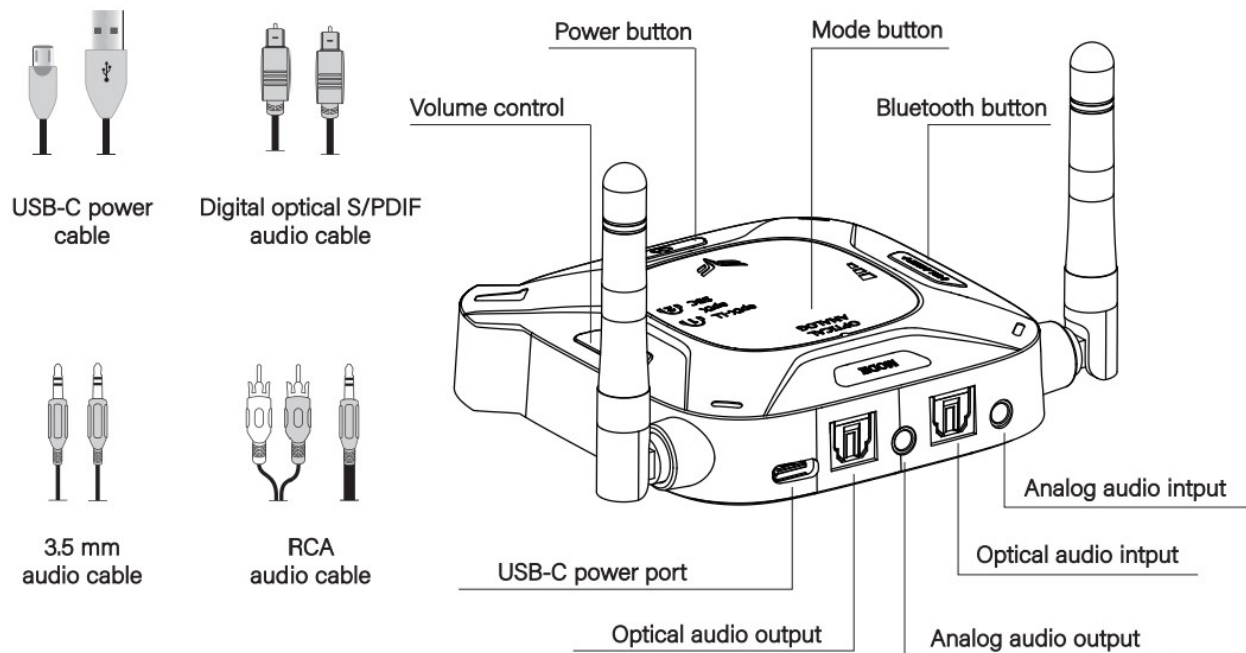
Aisidra

User Manual
WIRELESS 2-IN-1 ADAPTER
BA020



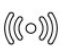




Contents

- [1 Product Overview](#)
- [2 Use In TX \(Transmitter\) Mode:](#)
- [3 Volume Control](#)
- [4 Trouble Shooting](#)
- [5 FCC Caution](#)
- [6 Documents / Resources](#)
 - [6.1 References](#)

Product Overview



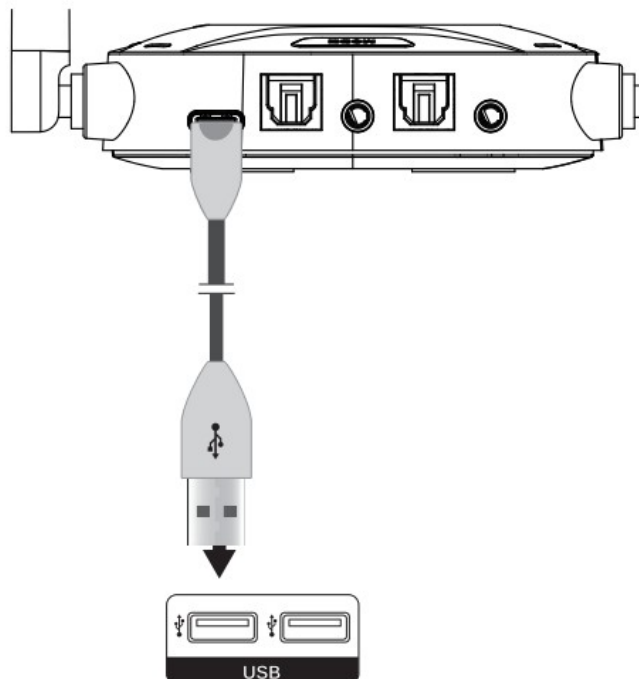
Buttons & Light Indicators

| BUTTON | OPERATION | FUNCTION | INDICATOR | BA020 STATUS |
|---|------------------------------|-----------------------------------|---|---|
|  | Press | Power on / off |  | Powered on |
|  | Press and hold for 4 seconds | Bluetooth connection |  | Flashing red and blue alternatively: Ready to pair |
| | Press and hold for 4 seconds | | | Solid blue: The 1st Bluetooth device connected |
| | Press | Connect to the last paired device |  | Flashing red and blue alternatively: Ready to pair the 2nd device |
| | / | / |  | Solid blue: The 2nd Bluetooth device connected |
| MODE | Press | Switch audio mode | OPTICAL | Audio codec currently in use |
| | | | ANALOG | Optical audio mode |
| VOLUME+ | Press | Volume up |  | Analog audio mode |
| | Press and hold for 7 seconds | Disable / enable audio prompt | / | Current volume level |

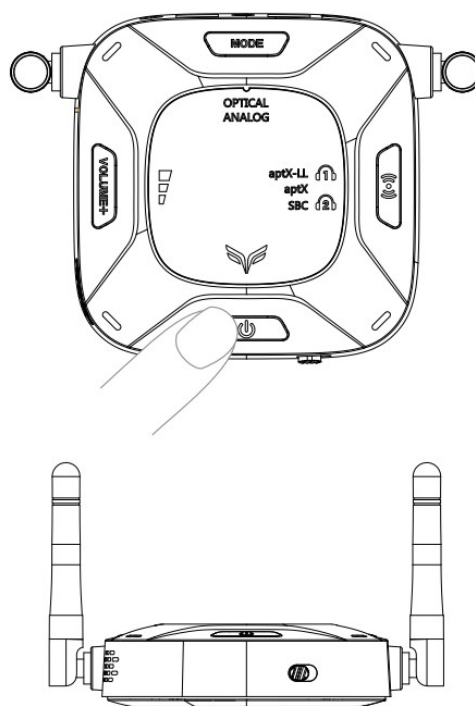
Use In TX (Transmitter) Mode:

Step 1 Power On

1. Ensure the USB-C power cable is plugged into the USB-C power port of the BA020.



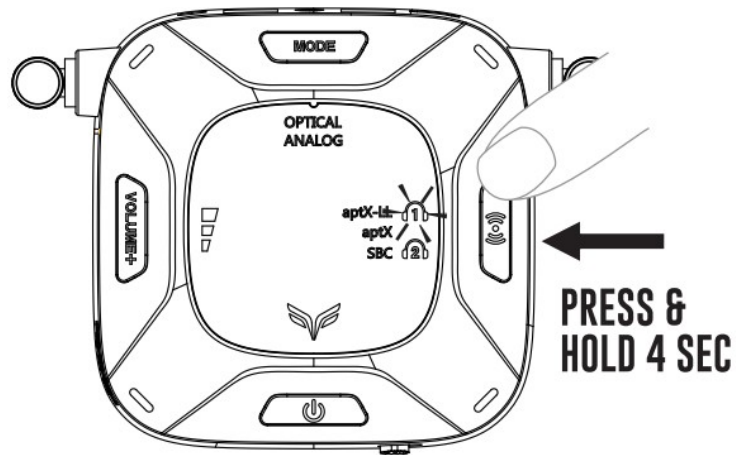
2. Plug the USB end of the cable into an AC adapter, TV, or computer USB port.
3. Press the POWER button to power on.



4. Ensure the TX/RX switch is in the TX position

Step 2 Pair with Bluetooth Headphones

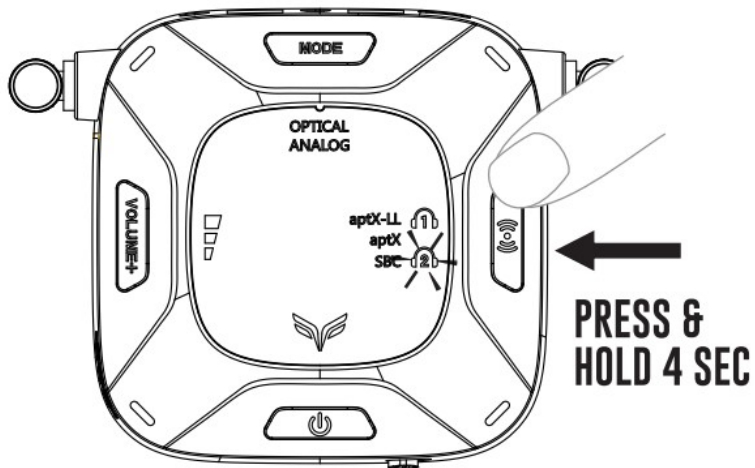
1. Put your Bluetooth headphones in pairing mode.
2. Once the headphones are in pairing mode, press and hold the Bluetooth button for 4 seconds to turn BA020 into pairing mode with the indicator flashing red and blue alternatively.



3. Once connected, the indicator will turn solid blue.

OPTIONAL: PAIRING WITH A SECOND SET OF BLUETOOTH HEADPHONES

Use the procedure above to pair a second headphone after one is already connected.

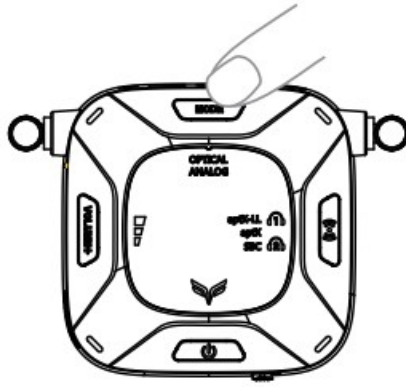


1. Turn on a second set of headphones and set it into pairing mode.
2. Press and hold the Bluetooth button for 4 seconds to enter pairing mode.
3. Once successfully connected, the indicator will turn solid blue

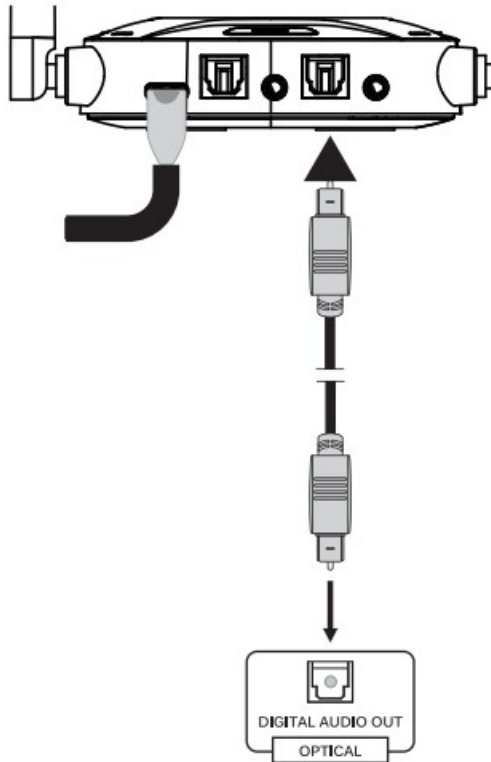
**Step 3 Choose ONLY ONE Audio Cable Supported by Your TV
CHOICE: OPTICAL**



1. Press the MODE button to select OPTICAL audio input.



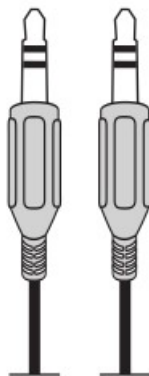
2. Plug digital optical S/PDIF audio cable into the OPTICAL INPUT of the BA020.



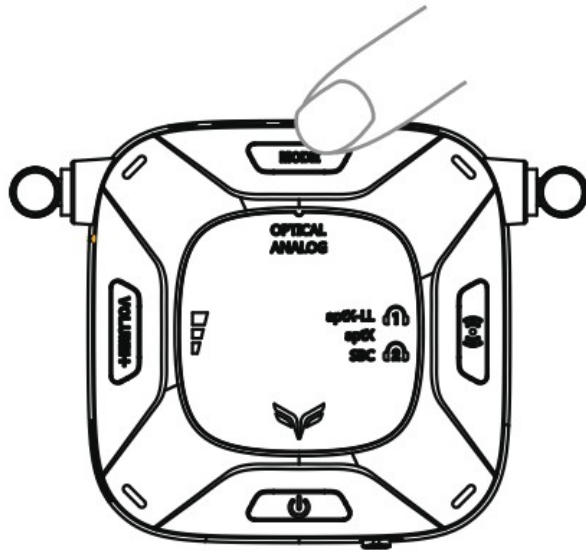
3. Plug the other end into the TV's DIGITAL AUDIO OUT (OPTICAL) port.

* Test for sound. Make sure the volume on both your TV and headphones are turned up.

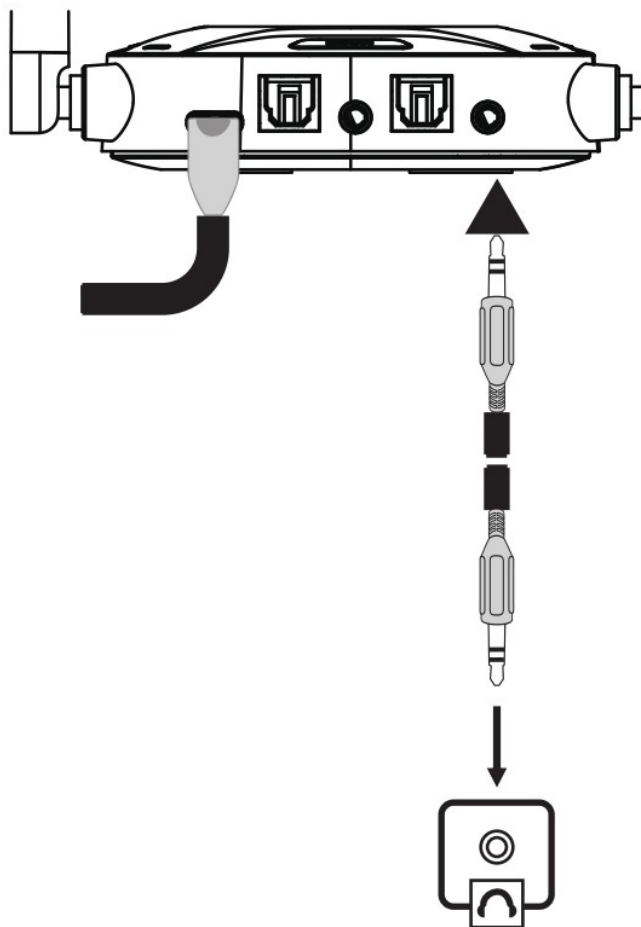
CHOICE B: 3.5MM



1. Press the MODE button to select ANALOG audio input.

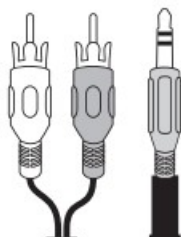


2. Plug 3.5 mm audio cable into the 3.5mm ANALOG INPUT of the BA020,

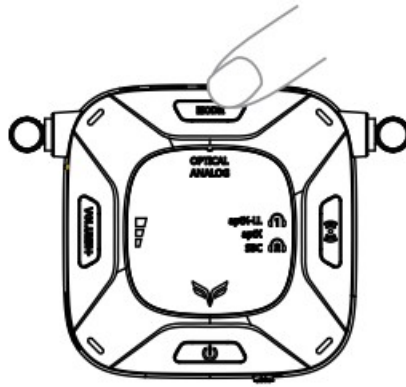


3. Plug the other end into TV's headphones jack or analog audio output jack.
Headphone jack may be located on rear, side, front. or bottom of TV.

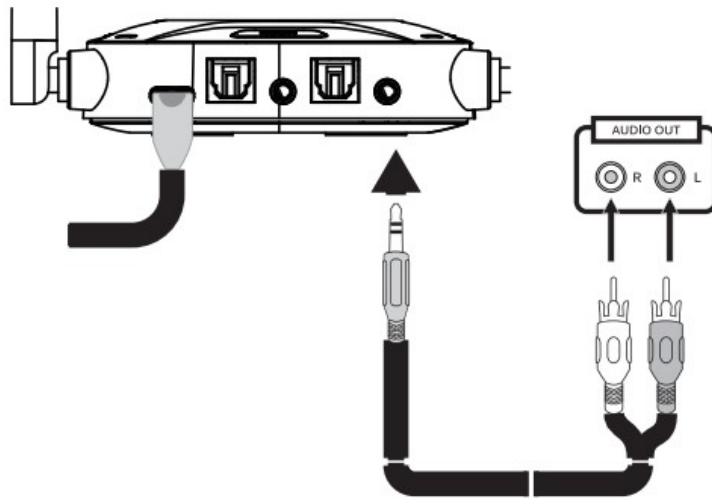
CHIICEC: RCA



1. Press the MODE button to select ANALOG audio input.



2. Plug red/white ends of RCA audio cable into the TV's red/white RCA AUDIO out port.



3. Plug 3.5 mm end of RCA audio cable into the 3.5 mm ANALOG INPUT of the BA020.



RCA jacks on TV must be designated an AUDIO OUT.
RCA input jacks, commonly labeled AV IN, INPUT, or COMPONENT will not work.

Volume Control

Use volume controls on the device you are streaming from (such as your phone) to adjust the volume. If there is a volume control on your speaker or sound bar, you may use it to further adjust the volume.

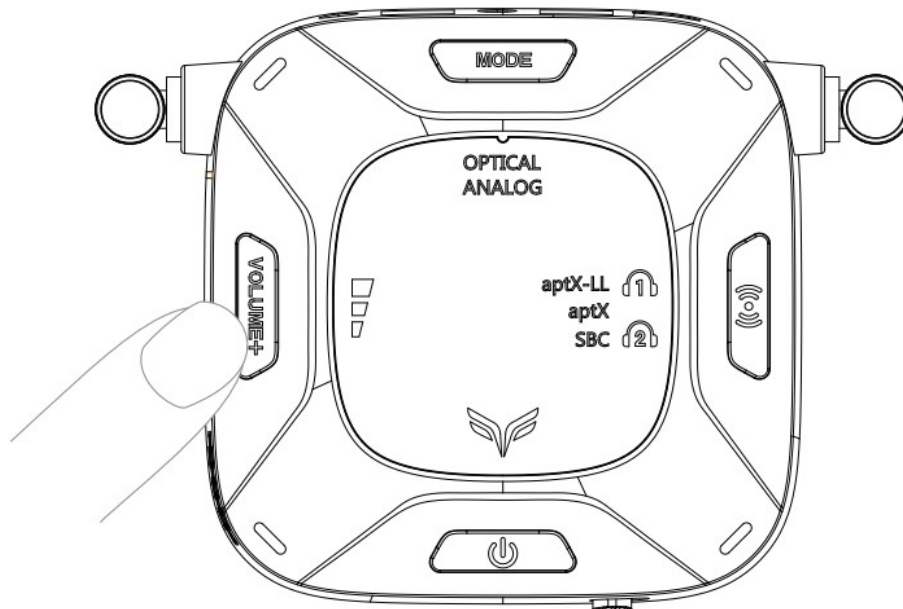
Subsequent Use

Disable Audio Prompts

VOLUME+ Press and hold the Volume control (VOLUME+) button for 7 seconds

Enable Audio Prompts

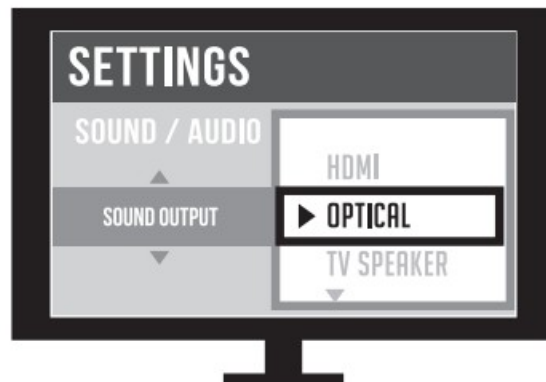
VOLUME+ Press and hold the Volume control (VOLUME+) button for 7 seconds



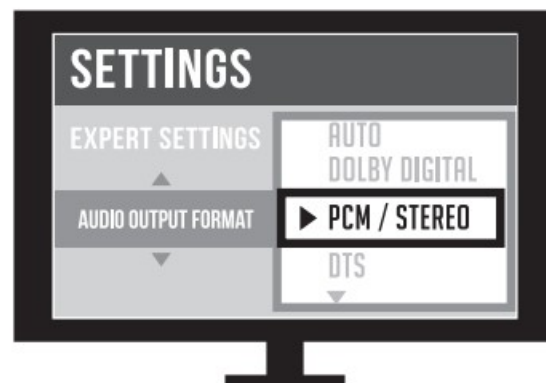
Trouble Shooting

No Sound: Optical

1. Check your TV setting.
Change Sound Output to "Optical"



2. Change Digital Audio Output Format to "STEREO" or "PCM"
This may also need to be done in the audio output settings menu(s) of your streaming app(s) and/or device(s) such as Apple TV"



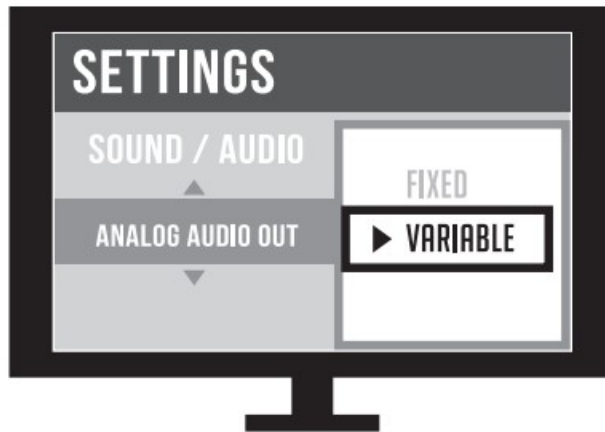
*Exact menu and item names may vary with TVs.

On some TV settings it may be located in "Advanced settings" or "Expert settings" submenus.

No Sound: RCA

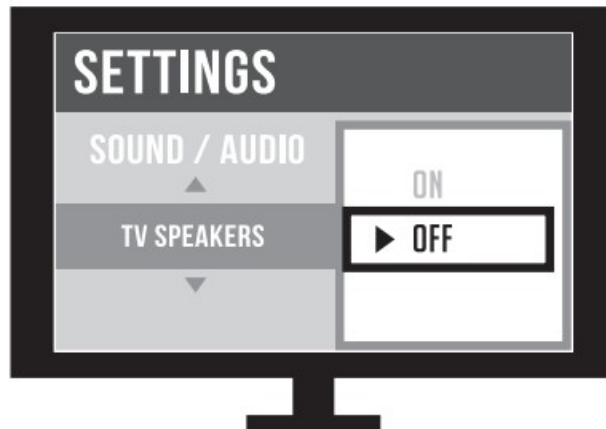
1. Check your TV setting.

Change audio output settings to “VARIABLE”.



2. Set TV's internal speakers to “OFF”.

*Exact menu and item names may vary with TVs.



Reset/Clear Memory

Hold the MODE button for 5 seconds, until the voice prompt “Memory cleared” is heard.

All previously paired devices will be cleared from memory and new pairing will need to be created by procedure in **Step 2**.

Pass-Through

When adapters used in TX mode, the audio outputs of the AD-BA020 can pass the TV's sound through a soundbar or other audio devices.

This makes it possible to plug both the AD-BA020 and a speaker into a TV with only one audio output.

Complete **Step 1** to **Step 2** BEZEE of this setup guide.

Pass-through only works when the input and output connections match.

If you connect your TV via optical in **Step 3**, then use optical to connect your soundbar.

If you connect your TV via 3.5mm or RCA in **Step 4**, then use 3.5mm to connect your soundbar.

FCC Caution

Compliance Information

This device complies with Part 15 of the FCC Rules, Operation is subject to the following two conditions:

1. This device may not cause harmful interference.
2. This device must withstand any interference received, including interference that may cause undesired

operation.

Disposal & Recycling

Dispose of this product in accordance with all local laws and regulations. Because this product contains electronic components and a battery, it must be disposed of separately from household waste. Contact local authorities to learn about disposal and recycling options.

Warranty & Service

This product is covered with Aisdra product and labor warranty for 12 months from the date of its original purchase.

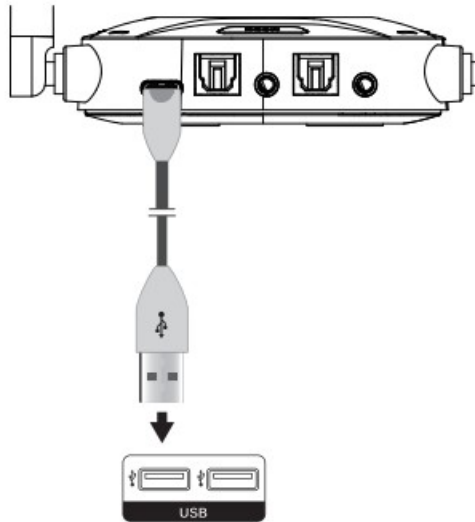
Any questions welcome to contact us: support@aisdra.com

Extend 2 years warranty: www.warranty-hub.com

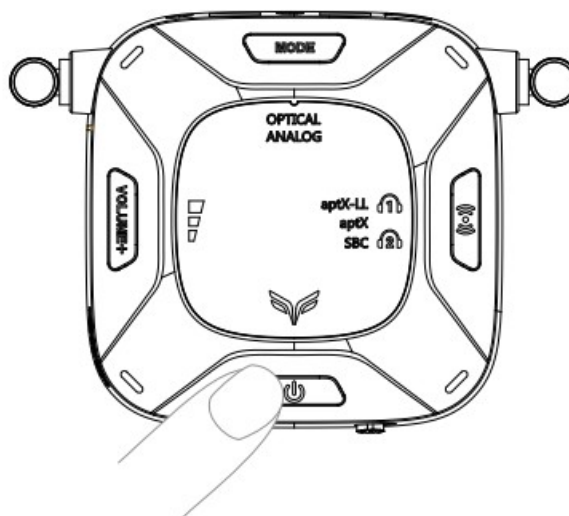
Use In RX (Receiver) Mode:

Step 1 HIM Power On

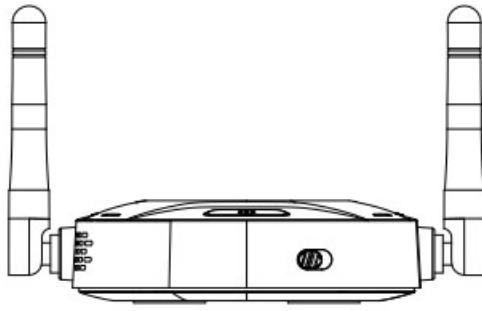
1. Ensure the USB-C power cable is plugged into the USB-C power port of the BA020.



2. Plug the USB end of the cable into an AC adapter, TV, or computer USB port.
3. Press the POWER button to power on.

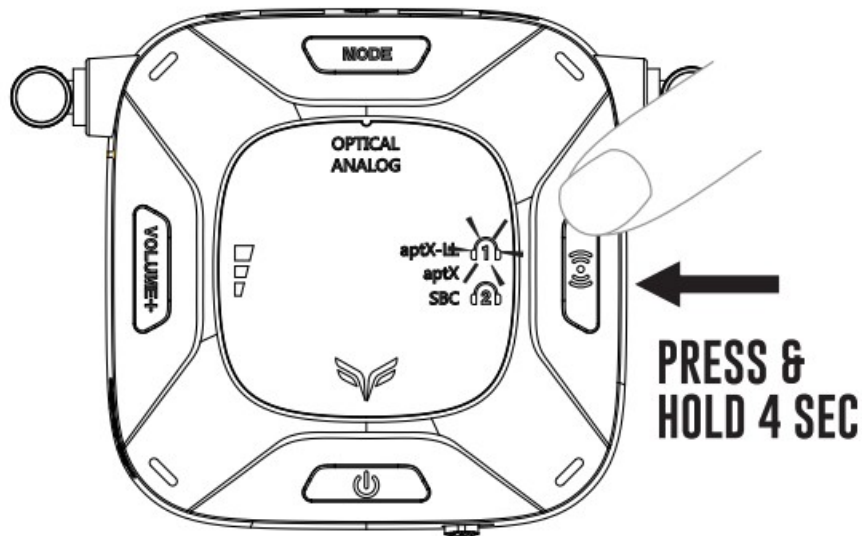


4. Ensure the TX/RX switch is in the RX position.



Step 2 Pair with Phone or Tablet

1. Press and hold the Bluetooth button for 4 seconds to set BA020 into pairing mode, there will be a voice prompt 'Pairing' with the indicator, flashing red and blue blue alternatively.

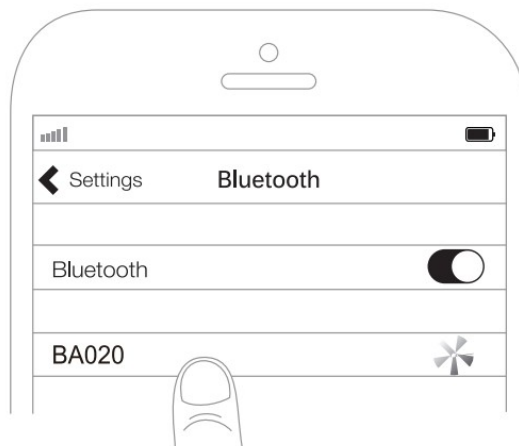


2. Open the Bluetooth menu on your phone, tablet. or other devices you wish to pair, usually located in Semngs > Bluetooth.

It needed, select "search for devices", add new device", or "refresh."

3. Select "BA020"and allow pairing to complete.

Use "0000" if a pin is required.



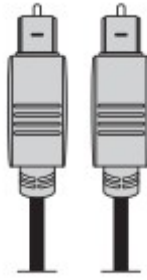
4. Once successfully paired. the flashing light will turn solid blue.

In RX mode. only one Bluetooth device can be used with the BA020 at a time.

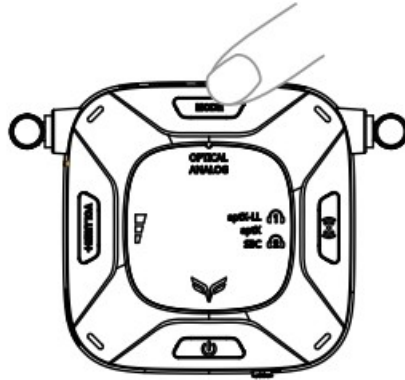
Step 3 Connect to Speakers or other Audio Devices

Choose one of the audio connection below. then connect with BA020.

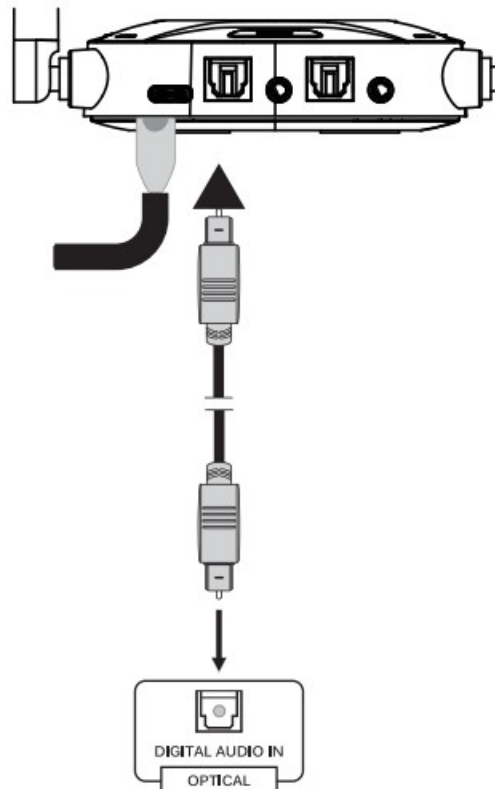
CHIICE A: OPTICAL



1. Press the MODE button to select OPTICAL.

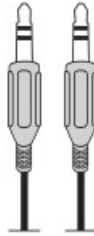


2. Plug digital optical S/PDIF audio cable into the OPTICAL OUTPUT of the BA0Q20.

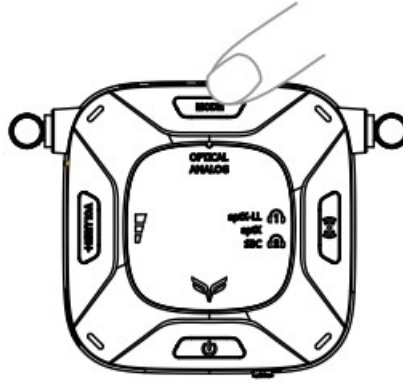


3. Plug the other end into the DIGITAL OPTICAL INPUT of your audio device.

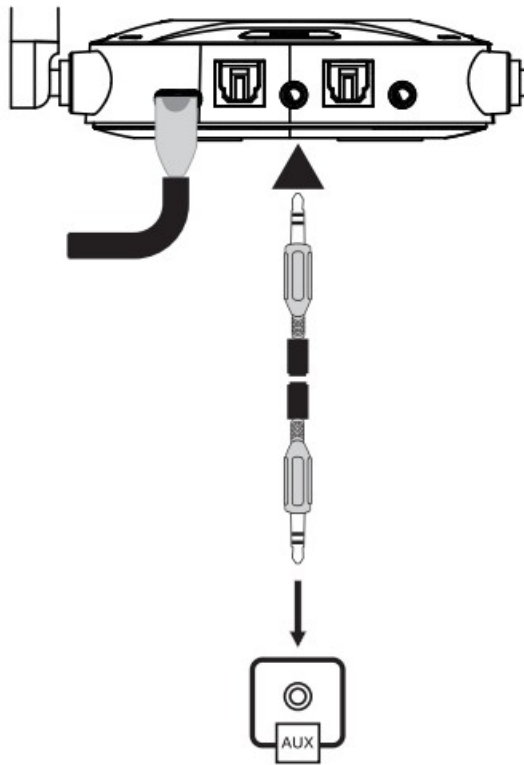
CHIICE B: 3.5MM



1. Press the MODE button to select ANALOG.

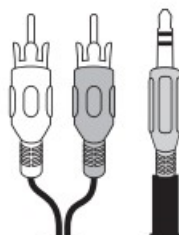


2. Plug 3.5 mm audio cable into the 3.5 mm ANALOG OUTPUT of the BAQ20.

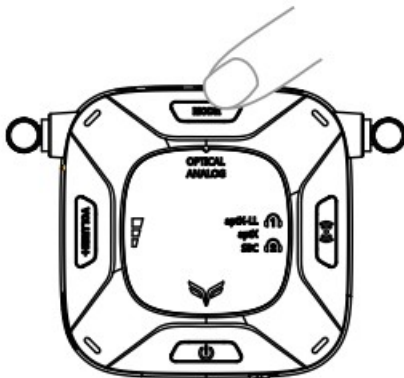


3. Plug the other end into the 35 mm AUX input jack of your audio device.

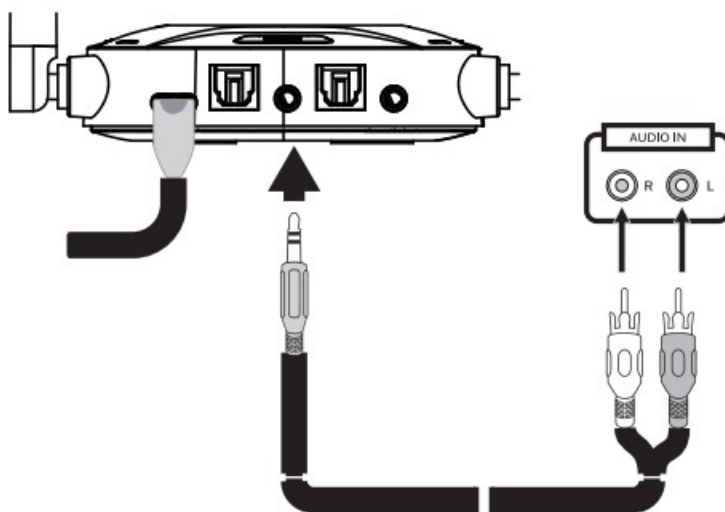
CHOICEC: RCA



1. Press the MODE button to select ANALOG:



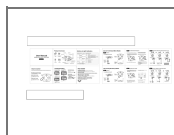
2. Plug the 3.5 mm end of the RCA audio cable into the 3.5 mm ANALOG OUTPUT of the BA020.



3. Plug red/white ends of RCA audio cable into the red/white RCA AUDIO INPUT jacks of your audio device.

Aisidra

Documents / Resources



[Aisidra BA020 Bluetooth Transmitter Receiver](#) [pdf] User Guide
BA020 Bluetooth Transmitter Receiver, BA020, Bluetooth Transmitter Receiver, Transmitter Receiver, Receiver

References

- [User Manual](#)

[Manuals+](#). [Privacy Policy](#)

This website is an independent publication and is neither affiliated with nor endorsed by any of the trademark owners. The "Bluetooth®" word mark and logos are registered trademarks owned by Bluetooth SIG, Inc. The "Wi-Fi®" word mark and logos are registered trademarks owned by the Wi-Fi Alliance. Any use of these marks on this website does not imply any affiliation with or endorsement.