

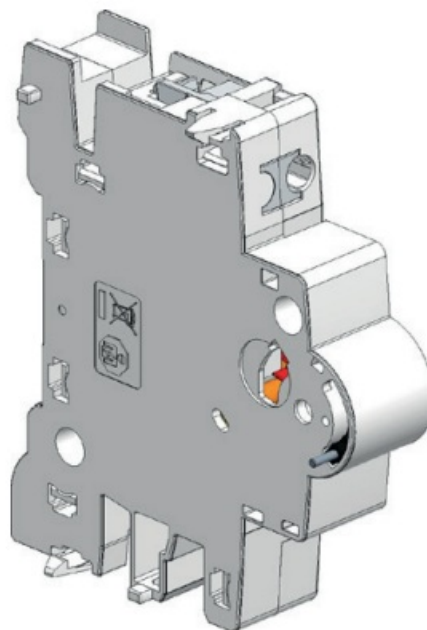


ABB S3C-A1, S3C-A2 Working Current Release Instructions

[Home](#) » [ABB](#) » ABB S3C-A1, S3C-A2 Working Current Release Instructions 



**Shunt trip
INSTALLATION AND
OPERATING INSTRUCTION
S3C-A1 2CDS200982R0001
S3C-A2 2CDS200982R0002**



Contents

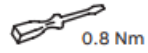
1 Shunt trip

2 Dimensional drawing

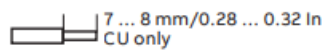
3 Documents /
Resources

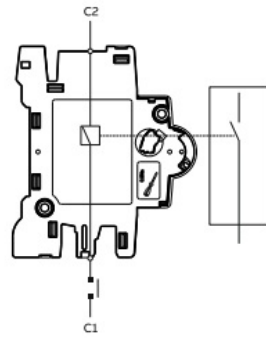
3.1 References

Shunt trip



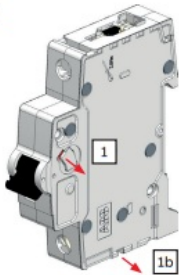
Ø 1 wire 0.75 ... 2.5 mm² /AWG 18-142 wires max. 2×1.5mm² /AWG 18-16 max. 2 wires per slot



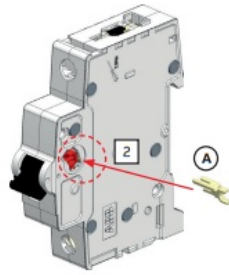


- (A)** S200
S200 M
S200 MT/S200 MTR
S200 P
S200 MUC
S300 P
VY30
- UP
DOWN ⚠
- Color: White
-
- (B)** F200
RCCB VY
SN201
DS203NC
- Color: Black
-
- (C)** S-ARC1
DS-ARC1
DSE201 M
DS201
S3C-MOD
F3C-AR
- UP
DOWN ⚠
- Color: Blue

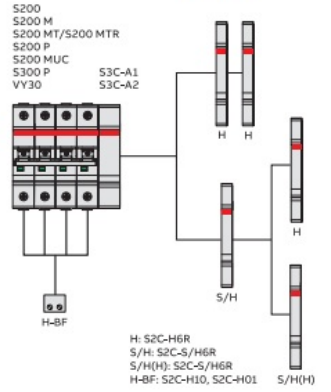
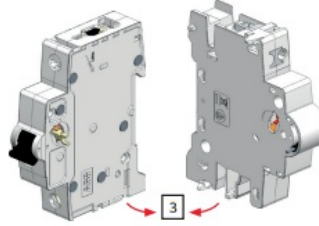
S200
S200 M
S200 MT/S200 MTR
S200 P
S200 MUC
S300 P
VY30



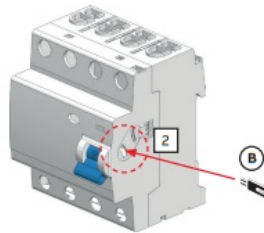
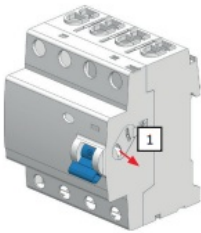
1b Remove only for S300 P, S200 MTR



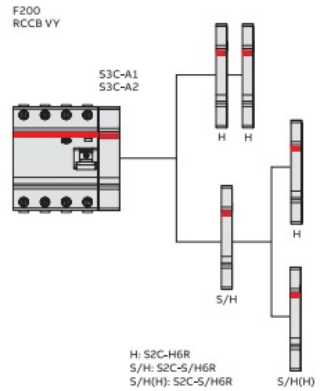
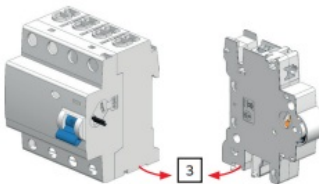
2 Use fork A



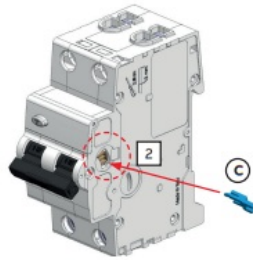
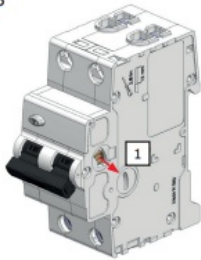
F200
RCCB VY



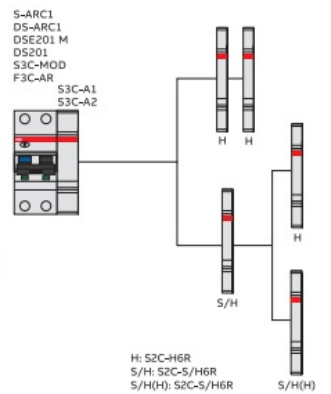
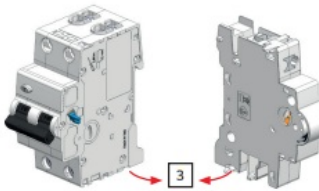
2 Use fork B



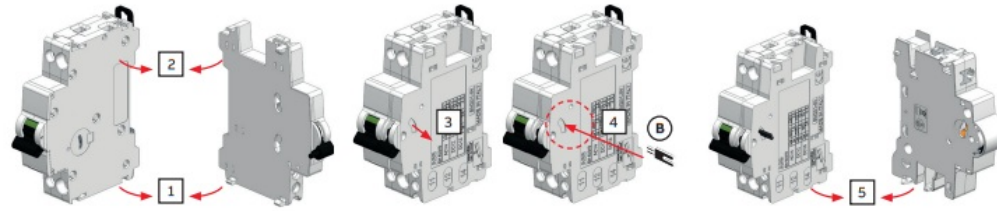
S-ARC1
DS-ARC1
DSE201 M
DS201
S3C-MOD
F3C-AR



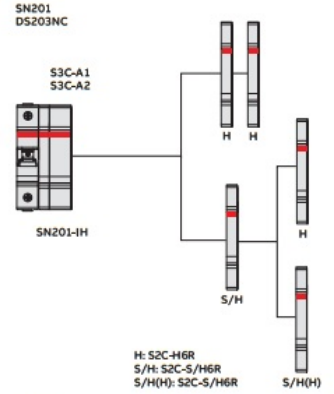
2 Use fork C



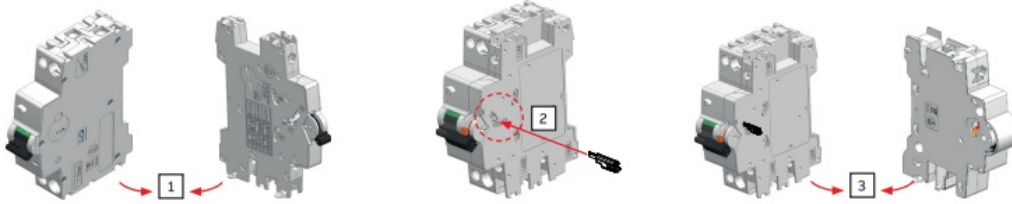
SN201 + SN201-IH
DS203NC + SN201-IH



4 Use fork B

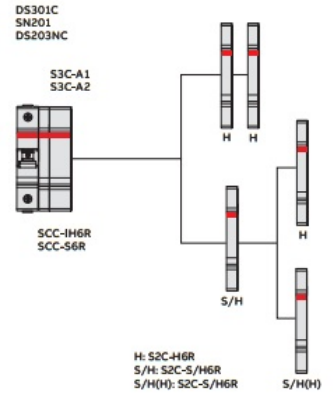


DS301C + SCC-IH6R/SCC-S6R
SN201 + SCC-IH6R/SCC-S6R
DS203NC + SCC-IH6R/SCC-S6R



1 Check the instruction sheet of SCC-IH6R/SCC-S6R for more detailed information

2 For this step, use the fork included in the package of SCC-IH6R/SCC-S6R

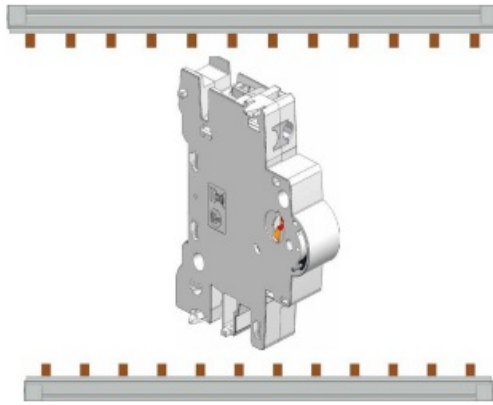


				S3C-A1			
Rated voltage	AC	V	12...110				
	DC	V	12...110				
Max. release duration		ms	<10 @ Rated voltage				
Min. release voltage	AC	V	8.4				
	DC	V	10				
Power consumption	Ub	V	12 VDC	12 VAC	24 VDC	24 VAC	
	I _{b_max}	A	2.8	3.3	5.3	6.2	
	Ub	V	60 VDC	60 VAC	110 VDC	110 VAC	
	I _{b_max}	A	14	15	25.3	25	
Coil resistance		Ω	4				
Tightening torque		Nm	0.8				
Dimensions (H x D x W)		mm	85 x 74.1 x 17.4				

				S3C-A2		
Rated voltage	AC	V	110...415			
	DC	V	110...250			
Max. release duration		ms	<10 @ Rated voltage			
Min. release voltage	AC	V	77			
	DC	V	77			
Power consumption	Ub	V	110 V DC	110 V AC	220 V DC	
	I _{b_max}	A	0.5	0.7	1.1	
	Ub	V	230 V AC	250 V DC	415 V AC	
	I _{b_max}	A	1.5	1.2	2.5	
Coil resistance		Ω	210			
Tightening torque		Nm	0.8			
Dimensions (H x D x W)		mm	85 x 74.1 x 17.4			

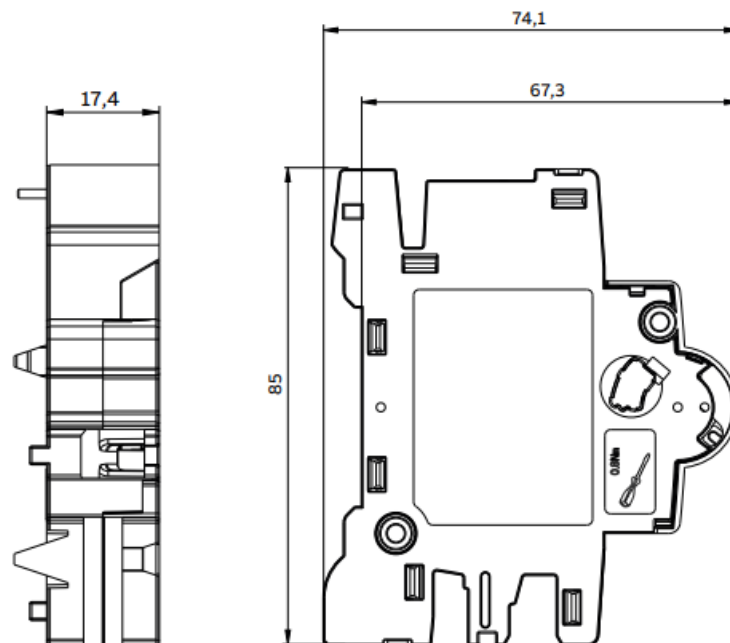
Busbar PS pass-through TOP and BOTTOM ✓

Caution: When using S3C-A1 and S3C-A2 with OTHER busbar types, make sure that routing cable is not contacting with the pin of the busbar. Take into account also high bending radius.



Caution: When positioning the device on the edge, it must be positioned outside the busbar. Protection against contact with the connection pins of the busbar must be ensured through suitable selection of the busbar, device positioning and covers.

Dimensional drawing



Contact us

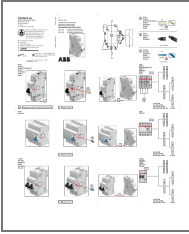
ABB STOTZ-KONTAKT GmbH
Eppelheimer Str. 82
69123 Heidelberg
Germany

www.abb.com/lowvoltage



Warning! Installation by person with electro technical expertise only.

Documents / Resources



[ABB S3C-A1, S3C-A2 Working Current Release](#) [pdf] Instructions
3C-A1, S3C-A2, Smart Buildings Working Current Release, Smart Buildings Current Release,
Working Current Release, Current Release, S3C-A1 S3C-A2 Working Current Release, S3C-A1
Working Current Release, S3C-A1, S3C-A2, S3C-A2 Working Current Release

References

- [User Manual](#)

[Manuals+](#), [Privacy Policy](#)

This website is an independent publication and is neither affiliated with nor endorsed by any of the trademark owners. The "Bluetooth®" word mark and logos are registered trademarks owned by Bluetooth SIG, Inc. The "Wi-Fi®" word mark and logos are registered trademarks owned by the Wi-Fi Alliance. Any use of these marks on this website does not imply any affiliation with or endorsement.